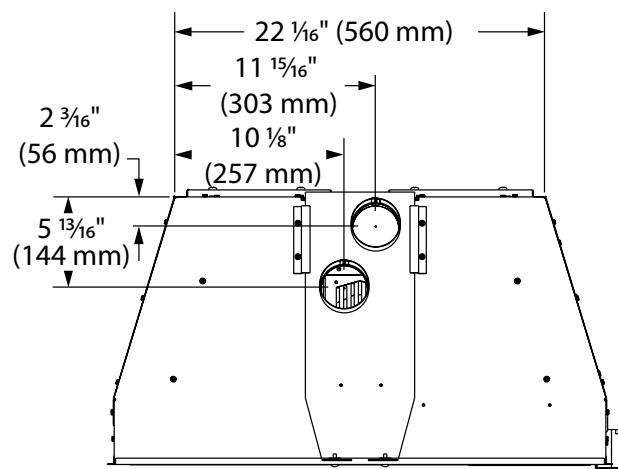


PRODUCT SPECIFICATIONS

ICFDV30CNTSC Harmony Direct Vent Gas Insert



ACTUAL DIMENSIONS

Actual size: 29"W x 20"H x 16"D (737 mm x 508 mm x 406 mm)

Viewing area: 26 1/4"W x 16 1/8"H, 409 in.² (667 mm x 411 mm), 2638 cm²

FEATURES

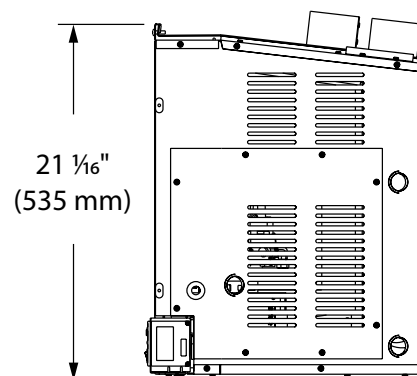
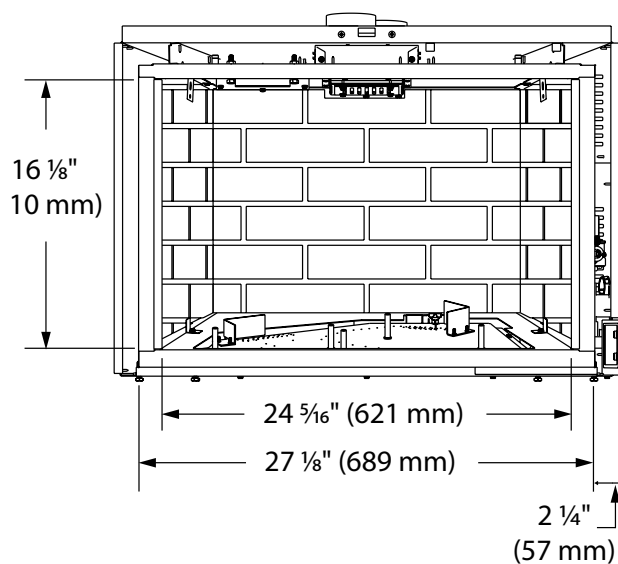
- Direct vent gas insert with louverless flush face and sleek, contemporary styling
- Black porcelain liner panels
- Stone and fire-glass kit
- Natural Blaze burner that produces beautiful yellow flames with strikingly realistic movement
- Total Signature Command with hand held touch screen remote control (TSFSC) and A/C module (SCSACM)
- Dual blower (160 cfm)

TOTAL SIGNATURE COMMAND FEATURES

- A/C control with automatic battery back-up for operation during power failures
- Electronic ignition saves money and energy
- Optional cold climate pilot setting keeps flue warm, prevents condensation on door glass and keeps cold air from entering the home through the chimney
- Hi/Lo 3-step flame adjustment to run unit at your desired level of comfort

FIELD INSTALLED ACCESSORIES

- Square, contemporary face available in Textured Black or Iron Age
- Glass trim available in Vintage Iron or Textured Mocha
- Floating face and arched or rectangular double doors available in Satin Black, Vintage Iron or Textured Mocha
- Illumination kit
- Additional glass kits in a variety of colors



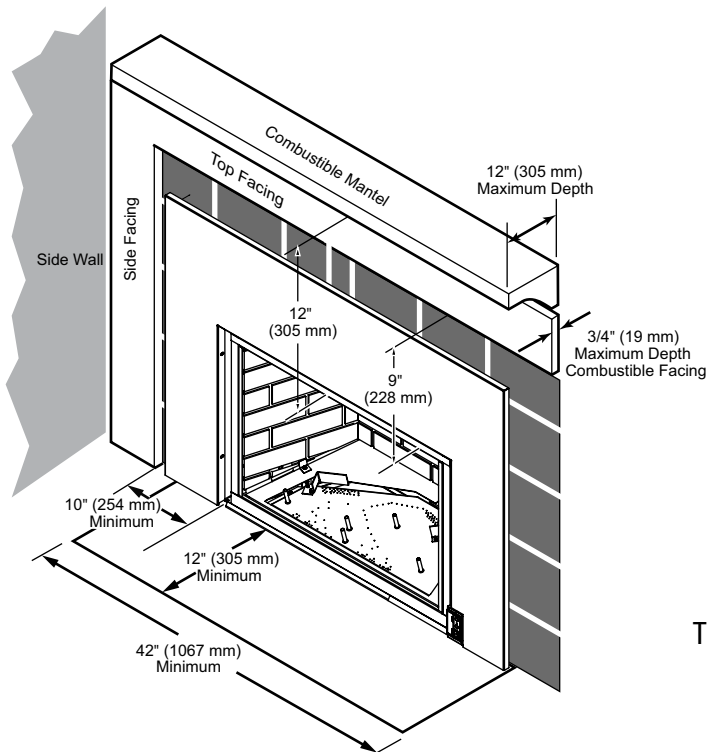
A Brand of Monessen Hearth Systems Co.
149 Cleveland Drive, Paris, Kentucky 40361
www.monessenhearth.com

See back for more technical information.

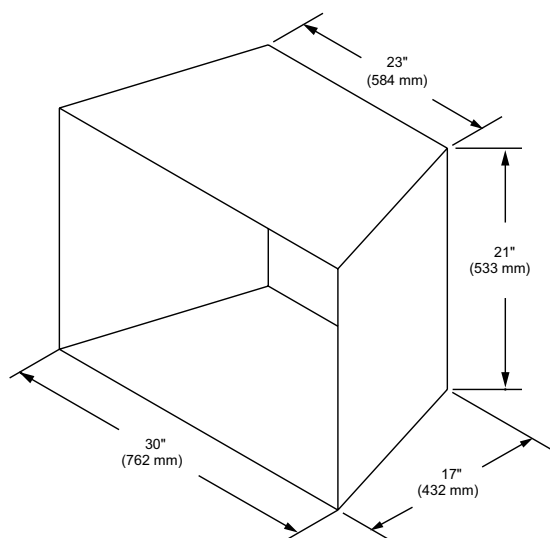
ICFDV30CNTSC Harmony Direct Vent Gas Insert



INSERT CLEARANCES



MINIMUM FIREPLACE OPENING



FIELD INSTALLED ACCESSORIES

- Three sided surrounds available:
 - ICF30S3B 26"H x 38"W x 2"D (side facing control) (660 mm x 965 mm x 51 mm)
 - ICF30S3FB 26"H x 38"W x 5/8"D (front facing control) (660 mm x 965 mm x 16 mm)
 - ICF30M3FB 30"H x 42"W x 5/8"D (front facing control) (762 mm x 1065 mm x 16 mm)
 - ICF30C3B 36"H x 44"W x 1/8"D trimmable (front facing control) (914 mm x 1118 mm x 3 mm)
- Termination Caps
 - 8" x 12" (HEDV327812)
 - 8" x 12" (HEDV3271212)
 - Round flue with adaptor (HEDVRT)
- Aluminum flex liner kits:
 - (2) 3" x 25' (76 mm x 7.6 m) (HEDVK25)
 - (2) 3" x 35' liners (76 mm x 10.7 m) (HEDVK35)
- Conversion kit for LP (required)
- Flue blocking plate which facilitates the use of chimney for combustion air supply (AI31AK33A)

TECHNICAL SPECIFICATIONS

BTU Input: 31,000 - 22,500 Natural Gas
 29,000 - 21,500 Liquid Propane
 Ignition System: Total Signature Command
 Gas Type: Natural Gas or Liquid Propane
 Gas Line: Shut-off valve and 24" (610 mm) flex line
 Flue Type: 3" (76 mm) intake and 3" exhaust flex vent
 Termination: Intake and exhaust, top center slide connector
 Min./Max. Vent Height: 10' (3 m) min. / 40' (12.9 m) max.
 Design Certified: CSA

CLEARANCE TO COMBUSTIBLES

Front of Fireplace: 36" (914 mm)
 Mantel Clearance: 12" (305 mm) min. / 12" Depth (305 mm) max.
 Firebox Opening to Side Wall: 10" (254 mm)
 Hearth Requirement: 12" (305 mm)

EFFICIENCY DATA

Thermal Efficiency: Up to 76.5% NG / 88.6% LP
 AFUE Efficiency: 67.2% NG / 68.5% LP
 P4 Canada Efficiency: Up to 71.9% NG / 83.7% LP

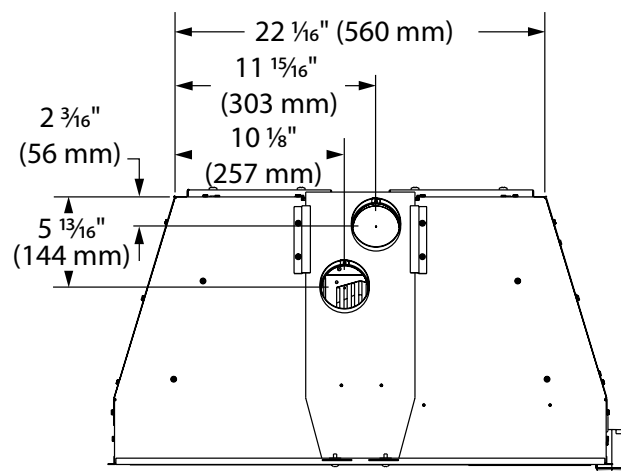
MINIMUM FIREPLACE DIMENSIONS

30"W (Front) x 21"H x 17"D x 23"W (Rear)
 (762 mm x 533 mm x 432 mm x 584 mm)



PRODUCT SPECIFICATIONS

ICFDV30LNTSC Harmony Direct Vent Gas Insert



ACTUAL DIMENSIONS

Actual size: 29"W x 20"H x 16"D (737 mm x 508 mm x 406 mm)

Viewing area: 26 1/4"W x 16 1/8"H, 409 in.² (667 mm x 411 mm), 2638 cm²

FEATURES

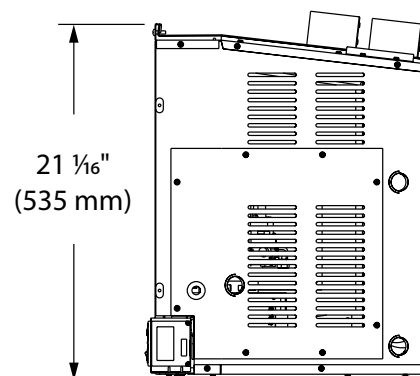
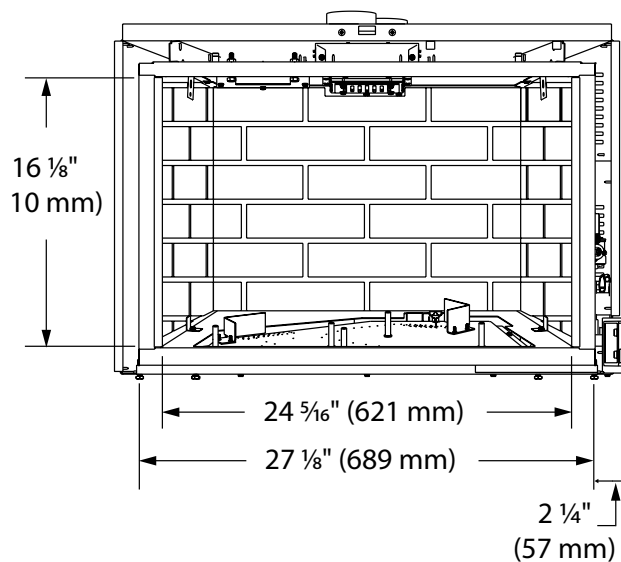
- Direct vent gas insert with louverless flush face and simple, traditional styling
- Cottage Clay brick liner
- Natural Blaze burner that produces beautiful yellow flames with strikingly realistic movement
- Total Signature Command with hand held touch screen remote control (TSFSC) and A/C module (SCSACM)
- Dual blower (160 cfm)

TOTAL SIGNATURE COMMAND FEATURES

- A/C control with automatic battery back-up for operation during power failures
- Electronic ignition saves money and energy
- Optional cold climate pilot setting keeps flue warm, prevents condensation on door glass and keeps cold air from entering the home through the chimney
- Hi/Lo 3-step flame adjustment to run unit at your desired level of comfort

FIELD INSTALLED ACCESSORIES

- Square, contemporary face available in Textured Black or Iron Age
- Glass trim available in Vintage Iron or Textured Mocha
- Floating face and arched or rectangular double doors available in Satin Black, Vintage Iron or Textured Mocha
- Illumination kit



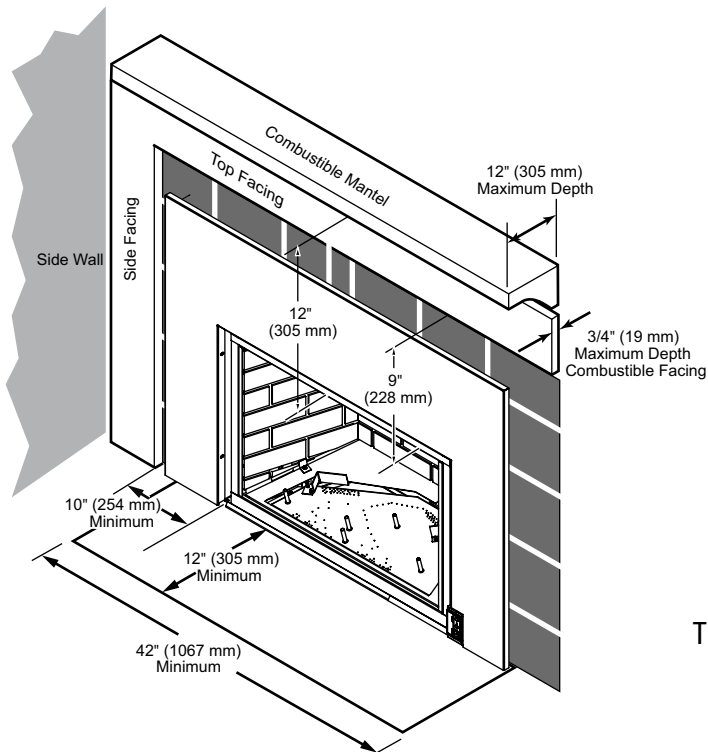
A Brand of Monessen Hearth Systems Co.
149 Cleveland Drive, Paris, Kentucky 40361
www.monessenhearth.com

See back for more technical information.

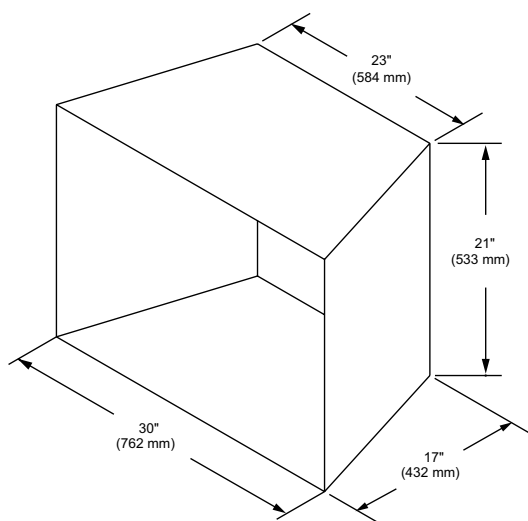
ICFDV30LNTSC Harmony Direct Vent Gas Insert



INSERT CLEARANCES



MINIMUM FIREPLACE OPENING



FIELD INSTALLED ACCESSORIES

- Three sided surrounds available:
 - ICF30S3B 26"H x 38"W x 2"D (side facing control)
(660 mm x 965 mm x 51 mm)
 - ICF30S3FB 26"H x 38"W x 5/8"D (front facing control)
(660 mm x 965 mm x 16 mm)
 - ICF30M3FB 30"H x 42"W x 5/8"D (front facing control)
(762 mm x 1065 mm x 16 mm)
 - ICF30C3B 36"H x 44"W x 1/8"D trimmable (front facing control)
(914 mm x 1118 mm x 3 mm)
- Termination Caps
 - 8" x 12" (HEDV327812)
 - 8" x 12" (HEDV3271212)
 - Round flue with adaptor (HEDVRT)
- Aluminum flex liner kits:
 - (2) 3" x 25' (76 mm x 7.6 m) (HEDVK25)
 - (2) 3" x 35' liners (76 mm x 10.7 m) (HEDVK35)
- Conversion kit for LP (required)
- Flue blocking plate which facilitates the use of chimney for combustion air supply (AI31AK33A)

TECHNICAL SPECIFICATIONS

BTU Input: 31,000 - 22,500 Natural Gas
29,000 - 21,500 Liquid Propane
Ignition System: Total Signature Command
Gas Type: Natural Gas or Liquid Propane
Gas Line: Shut-off valve and 24" (610 mm) flex line
Flue Type: 3" (76 mm) intake and 3" exhaust flex vent
Termination: Intake and exhaust, top center slide connector
Min./Max. Vent Height: 10' (3 m) min. / 40' (12.9 m) max.
Design Certified: CSA

CLEARANCE TO COMBUSTIBLES

Front of Fireplace: 36" (914 mm)
Mantel Clearance: 12" (305 mm) min. / 12" Depth (305 mm) max.
Firebox Opening to Side Wall: 10" (254 mm)
Hearth Requirement: 12" (305 mm)

EFFICIENCY DATA

Thermal Efficiency: Up to 76.5% NG / 88.6% LP
AFUE Efficiency: 67.2% NG / 68.5% LP
P4 Canada Efficiency: Up to 71.9% NG / 83.7% LP

MINIMUM FIREPLACE DIMENSIONS

30"W (Front) x 21"H x 17"D x 23"W (Rear)
(762 mm x 533 mm x 432 mm x 584 mm)

