

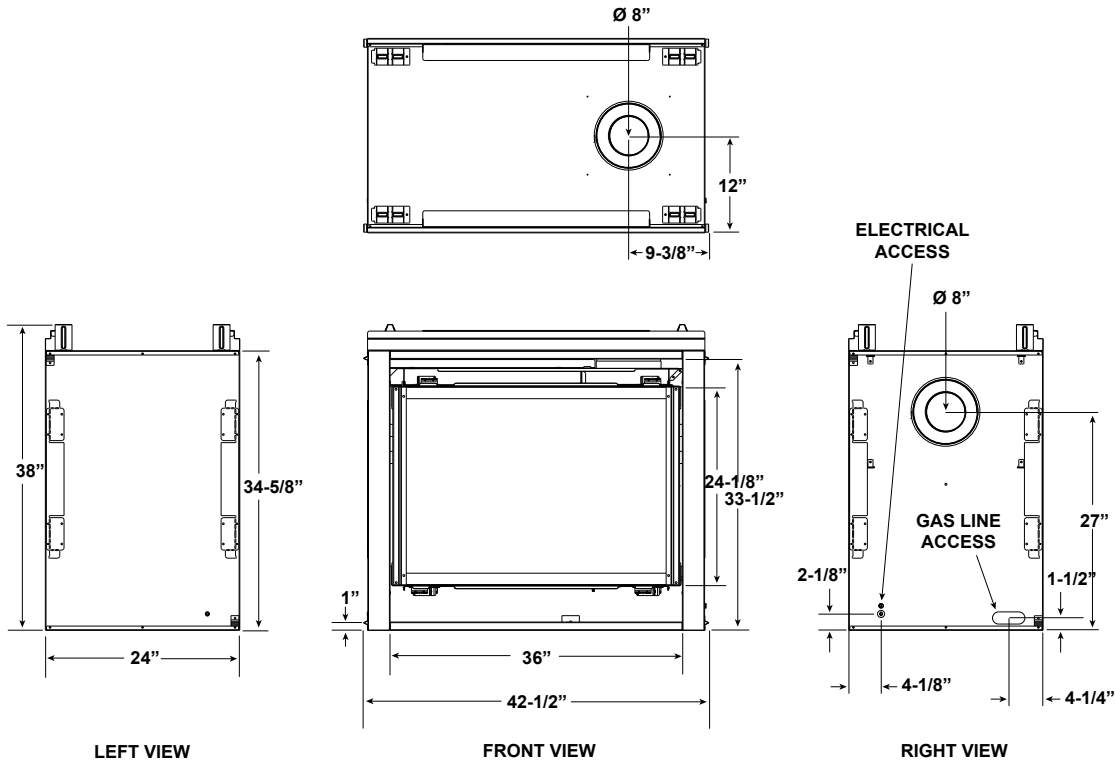


Please consult the manufacturer's installation manual for all details and requirements before making a final design layout decision.

GDST4336I

Multi-Sided Gas Fireplace

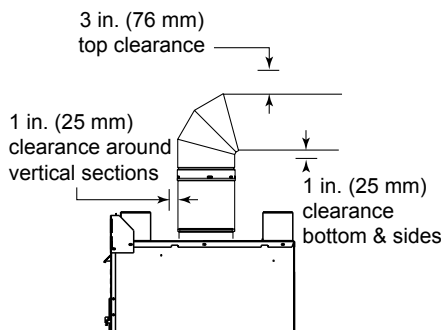
MODEL	HEIGHT		FRONT WIDTH		BACK WIDTH		DEPTH		VIEWING AREA
	Actual	Framing	Actual	Framing	Actual	Framing	Actual	Framing	
GDST4336I	38	38-3/4	42-1/2	43	42-1/2	43	24	23	36 x 24-1/8



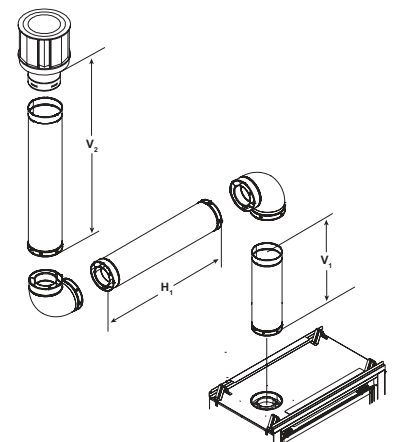
GUIDELINES FOR VERTICAL VENTING WITH A TWO-ELBOW CONFIGURATION

WARNING!! Fire Risk.

Consult installation manual for installation clearances and details.



- Maximum vertical (V1) straight length of pipe (no elbows) = 60 ft. (18.3 m) from base of appliance to termination
- Minimum total vertical vent = 12 ft. (3.7 m) from base of appliance to termination
- Maximum length of (H) vent pipe can equal 100% of total vertical (V1 + V2), but cannot exceed 26 ft. (7.9 m)
- Firestops (interior heat shields) are required on both sides of a combustible surface through which a vent passes
- Maintain 1/2 in. (13 mm) minimum clearance to combustibles along the sides and back of the appliance

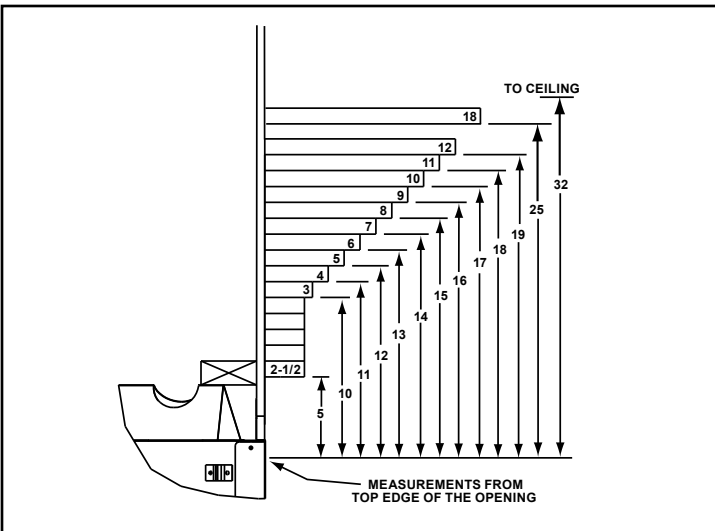


DISCLAIMER: This information is intended for reference only, and is subject to change without notice. Refer to www.heatilator.com to view the installation manual for detailed information, or work with a fireplace dealer when planning and installing this unit.

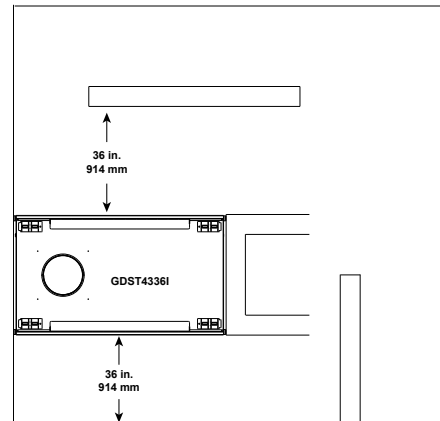
FIREPLACE FRAMING AND APPLIANCE CLEARANCES

GDST4336I	A		B	C	D	E	F	G	H	I
	DVP Pipe	SL Pipe	Rough Opening (Height)	DVP Pipe* Rough Opening (Depth)	Rough Opening (Width)	Clearance to Ceiling	Combustible Floor	Combustible Flooring	Ends of Appliance	Sides of Appliance
Inches	Rough Opening (Width)	Rough Opening (Width)	Rough Opening (Height)	Rough Opening (Depth)	Rough Opening (Width)	Clearance to Ceiling	Combustible Floor	Combustible Flooring	Ends of Appliance	Sides of Appliance
	10	8-5/8	38-3/4	23	43	31-5/8	0	0	1/2	36

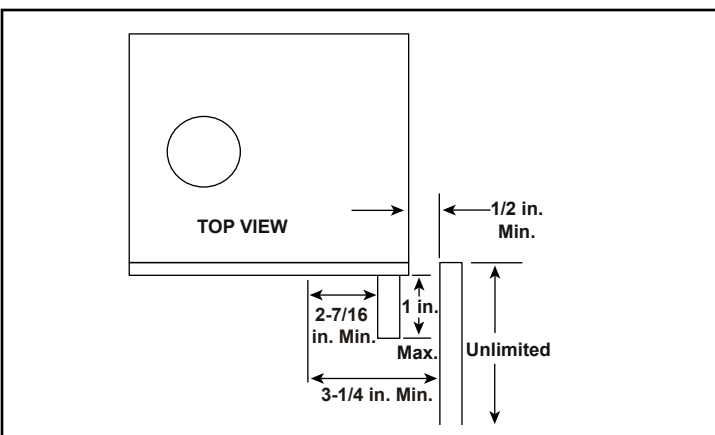
MANTEL PROJECTIONS



FIREPLACE LOCATIONS



CLEARANCE TO PERPENDICULAR WALLS



PRODUCT LISTING CODES	
US	ANSI Z21.88-2002
CAN	CGA 2.2
	UL307B

Product information provided is not complete and is subject to change without notice. Product installation must adhere strictly to instructions accompanying product to avoid risk of fire and potential injury.

Additional information can be found online at www.heatilator.com