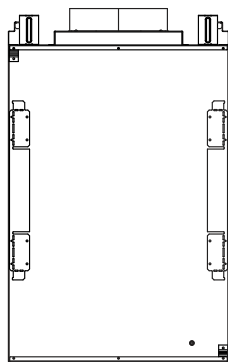
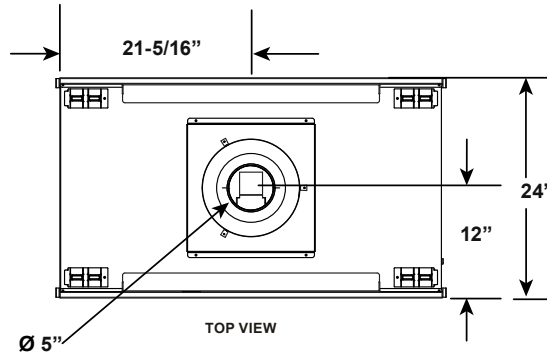




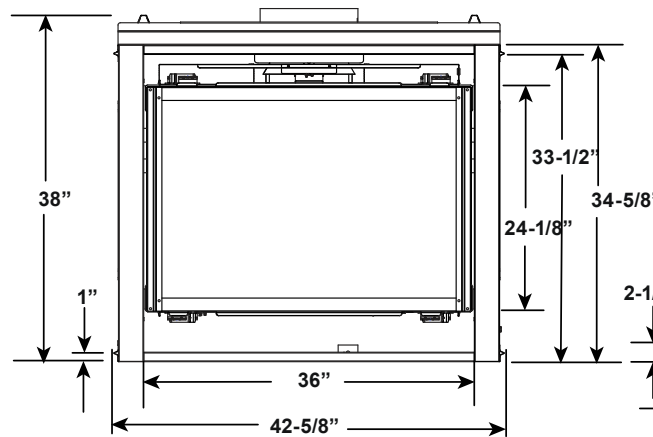
Please consult the manufacturer's installation manual for all details and requirements before making a final design layout decision.

GBST4336I
Multi-Sided Gas Fireplace

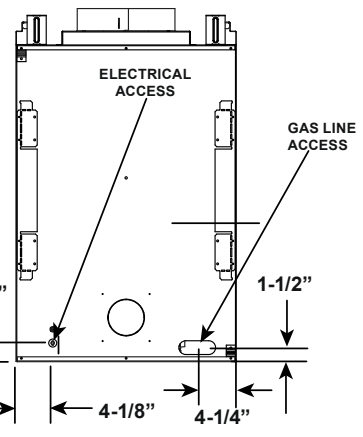
MODEL	HEIGHT		FRONT WIDTH		BACK WIDTH		DEPTH		VIEWING AREA
	Actual	Framing	Actual	Framing	Actual	Framing	Actual	Framing	
GBST4336I	38	38-1/2	42-5/8	43	42-5/8	43	24	23	36 x 24-1/8



LEFT SIDE

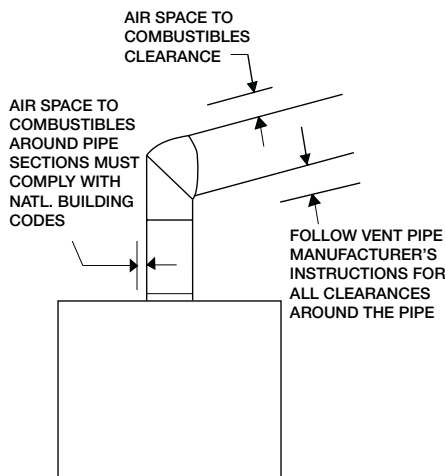


FRONT VIEW



RIGHT SIDE

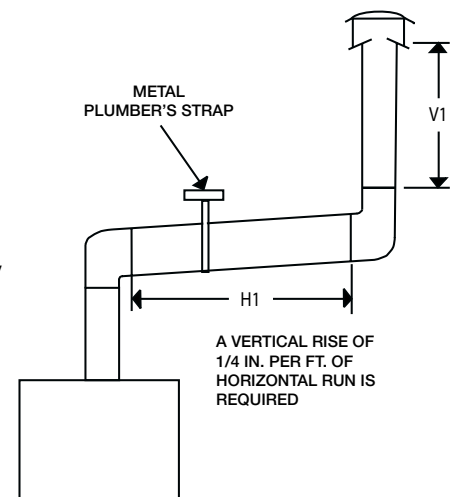
GUIDELINES FOR VERTICAL VENTING WITH A TWO-ELBOW CONFIGURATION



WARNING!! Fire Risk.

Consult installation manual for installation clearances and details.

- Maximum vertical (V1) = 60 ft. (18.3 m) from base of application to termination.
- Minimum vertical vent = 12 ft. (3.7 m) from base of application to termination.
- Vertical (V1) to horizontal (H1) ratio = 2:1 every 2 ft. of V1 allows 1 ft. maximum of H1.
- Maximum length of horizontal (H1) is 50% of (V1) & cannot be more than 30 ft. (9.2 m).
- This product must terminate vertically.
- Use B-vent pipe coupled with an attic shield.
- Maintain 1/2 in. (13 mm) minimum clearance to combustibles from the back and sides of the fireplace.



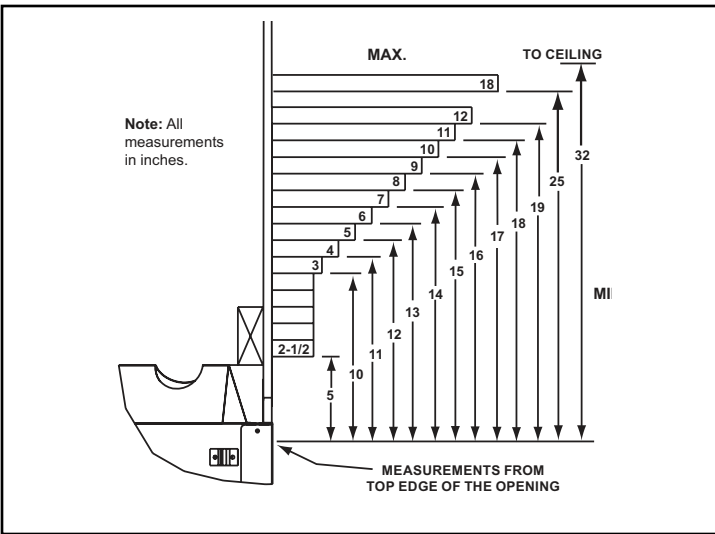
DISCLAIMER: This information is intended for reference only, and is subject to change without notice. Refer to www.heatilator.com to view the installation manual for detailed information, or work with a fireplace dealer when planning and installing this unit.

FIREPLACE FRAMING AND APPLIANCE CLEARANCES

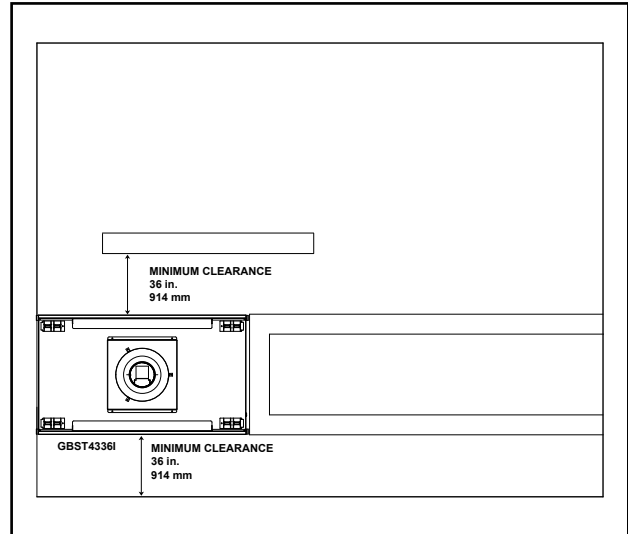
GBST4336L	A	B	C*	D	E	F	G	H	I	J
	Rough Opening (Vent Pipe)	Rough Opening (Height)	Rough Opening (Depth)	Rough Opening (Width)	Clearance to Ceiling	Combustible Floor	Combustible Flooring	Behind Appliance	Sides of Appliance	Front of Appliance
Inches	7	38-1/2	23	43	31-5/8	0	0	36	1/2	36

*Adjust framing dimensions for interior sheathing (such as sheetrock)

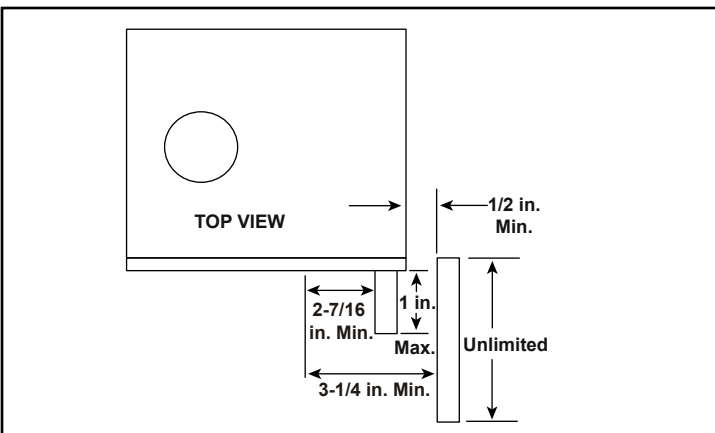
MANTEL PROJECTIONS



FIREPLACE LOCATIONS



CLEARANCE TO PERPENDICULAR WALLS



PRODUCT LISTING CODES	
US	ANSI Z21.88-2002
CAN	CGA 2.2
	UL307B

Product information provided is not complete and is subject to change without notice. Product installation must adhere strictly to instructions accompanying product to avoid risk of fire and potential injury.

Additional information can be found online at www.heatilator.com