

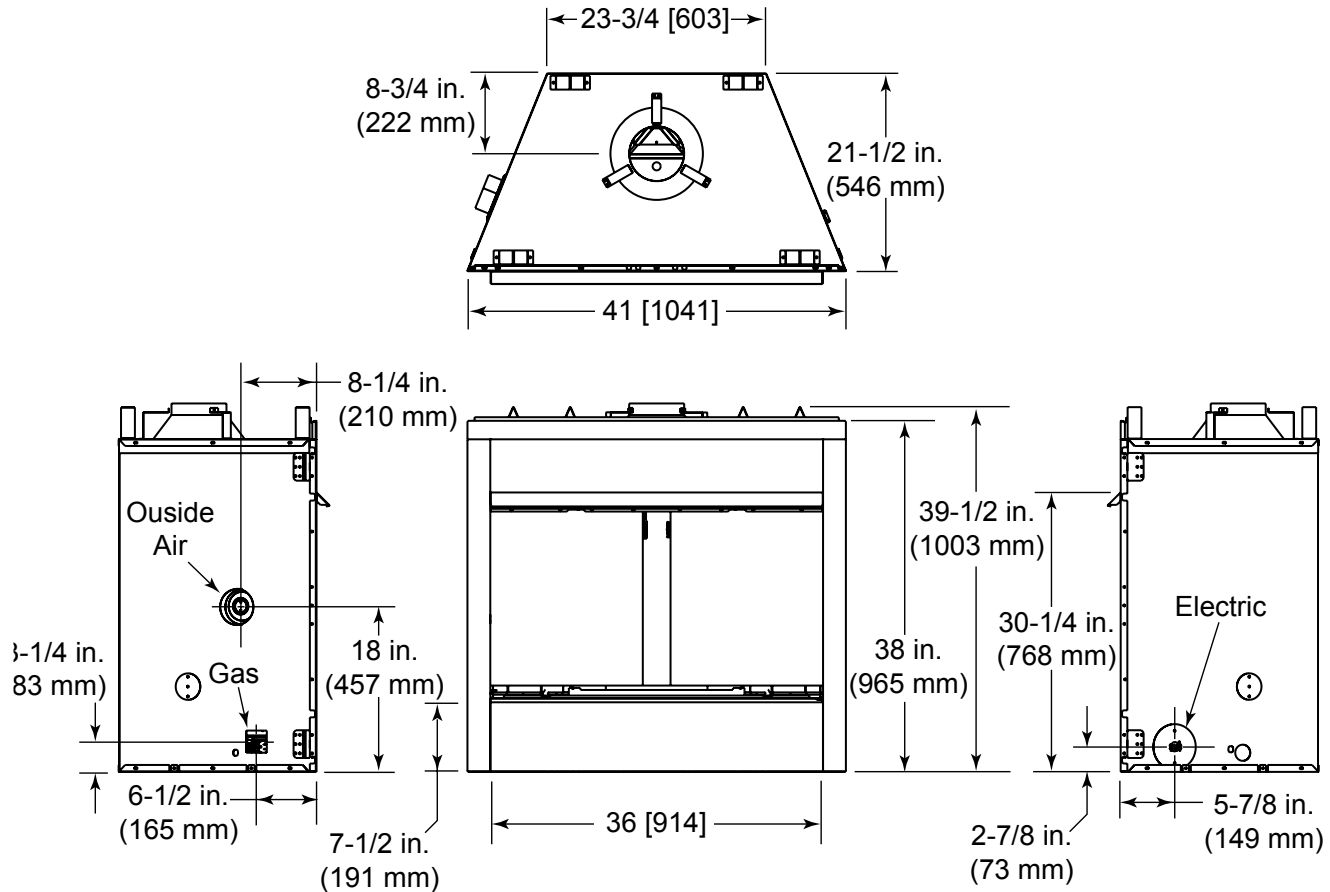


Please consult the manufacturer's installation manual for all details and requirements before making a final design layout decision.

RBV4236I

Single-sided B-Vent Gas Fireplace

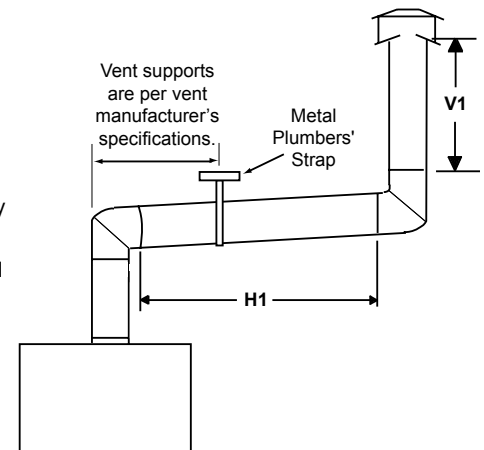
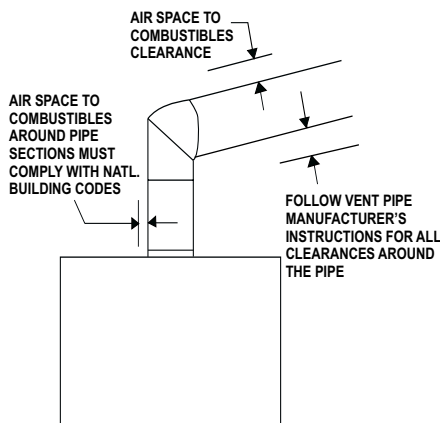
MODEL	HEIGHT		FRONT WIDTH		BACK WIDTH		DEPTH		VIEWING AREA
	Actual	Framing	Actual	Framing	Actual	Framing	Actual	Framing	
RBV4236I	39-1/2	39-3/4	41	42	23-3/4	42	21-1/2	22	36 x 21



GUIDELINES FOR VERTICAL VENTING WITH A TWO-ELBOW CONFIGURATION

WARNING!! Fire Risk.
 Consult installation manual for installation clearances and details.

- Maximum vertical (from floor level) = 60 ft. (18.3 m)
- Minimum vertical (from floor level) = 12.0 ft. (3.7 m)
- Vertical (V1) to horizontal (H1) ratio = 2:1. Thus every two feet of V1 allows 1 foot max of H1.
- Maximum length of horizontal (H1) is 50% of (V1) and cannot be more than 30 ft. (9.1 m)
- This product must terminate vertically.
- Use 6 in. B-Vent pipe coupled with an attic shield.
- Maintain a 1/2 in. (13 mm) air space to combustibles from the back and sides of the fireplace.



DISCLAIMER: This information is intended for reference only, and is subject to change without notice. Refer to www.fireplaces.com to view the installation manual for detailed information, or work with a fireplace dealer when planning and installing this unit.