



# VENTILATION series fans

## Features

A quiet revolution is forming...GNN Air fans are high-performance fans that operate with super-low noise levels. GNN is giving affordable silence for home-owners.

- **Adjustable Steel Hanger Rods**  
Place the fan anywhere in the joist cavity and secure to the structure at four corners
- **Steel Housing w/Powder Coat Finish**  
Strong no-rust housing
- **Low Wattage Motors**  
Low power requirements, continuous duty
- **4-inch Exhaust**  
Low air resistance and low noise operation  
Easy to secure to duct work
- **High Performance Blower**  
Large blower wheel quietly moves air
- **Weighted Backdraft Damper**  
No clicking dampers
- **Contemporary Grill Design**  
Stylish and easy to clean

## Models and Specifications

These are the current models offered by GNN Air. This brochure contains the detailed specifications of these high- quality, long lasting, low-energy fans

Model	CFM	Sones (noise)
BPT12-02A	50	1.0
BPT12-14A	70	.8
BPT15-14A1	80	1.0
BPT15-24A1	110	1.5
BPT15-34A	160	2.0



GNN Air ventilation fans are certified by the [Home Ventilating Institute](#) and by the [Canadian Standards Association](#).



# Model BPT12-02A

50 cfm 1.0 sone HVI 120 volts 0.24 amps



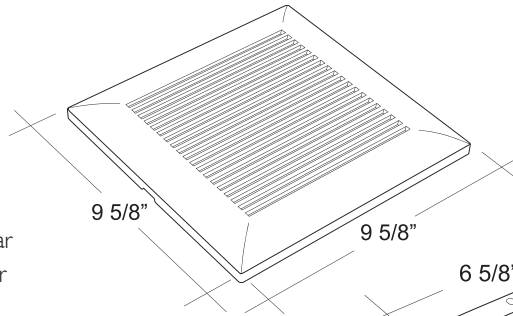
# 50

## Ceiling Fans



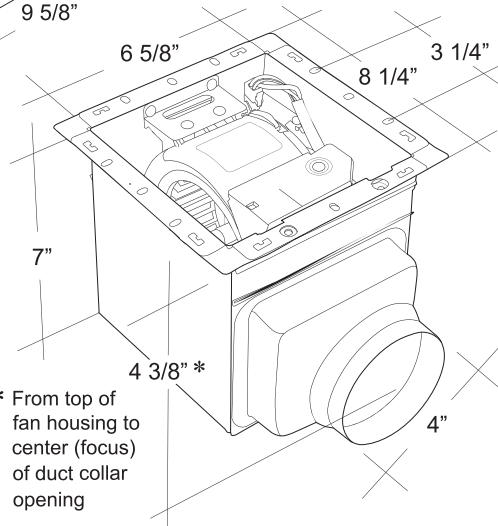
### Housing

The fan body is constructed from premium steel. Powder coated. Hanger rods are provided to secure the housing to the building structure. The housing includes a 4" steel duct collar and internal noise free back draft damper



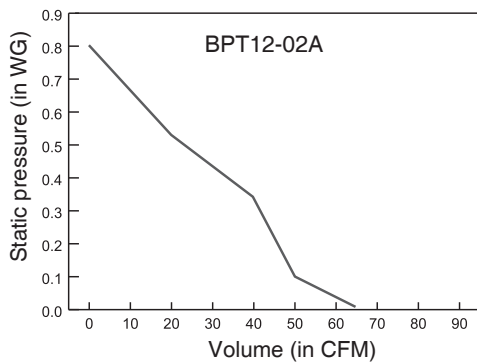
### Vertical Blower

The ball bearing sirocco blower and low RPM, capacitor style continuous duty motor provide high performance, low noise, and no maintenance.



### Grill

The grill is mounted without tools, using an extra winding on the mounting spring to ensure a positive fit to the ceiling.



### • Typical Specification

The fan shall be GNN model BPT12-02A. The fan shall have a powder coated steel housing. Hanger rod Mounted with Steel exhaust collar. The fan shall be ducted in accordance with the authority having jurisdiction. The fan shall include an built in back draft damper with a rubber stopper to ensure noise free operation. The blower to be balanced to operate at low rpm. Air delivery shall be rated in accordance with HVI standards. 50 cfm at 0.1"sp. The fan in accordance and certified by CE, CSA, HVI, AMCA and ISO 9001.

GNN warrants equipment for 1 year to original registered end user. The equipment shall be free from manufacturing defects. Warranty shall be limited to replacement parts or equipment replacement. In keeping with a policy of continuous research the specifications may change without notice.

Project		Architect	
Location		Engineer	
Contractor		Submitted by	





# Model BPT12-14A

70 cfm .8 sone HVI 120 volts 0.25 amps



# 70

## Ceiling Fans

### Housing

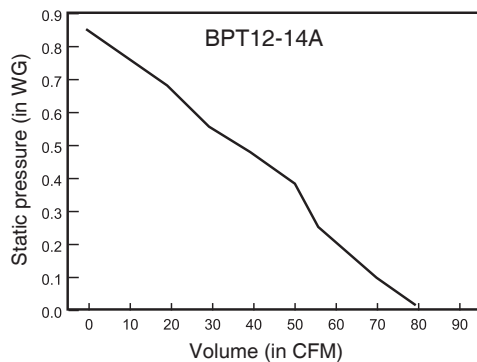
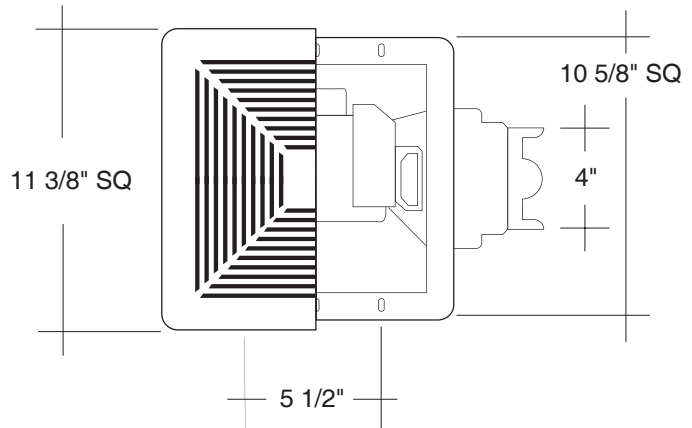
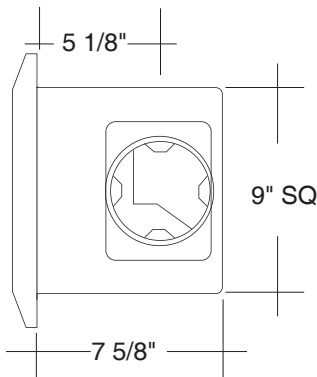
The fan body is constructed from premium steel. Powder coated. Hanger rods are provided to secure the housing to the building structure. The housing includes a 4" steel duct collar and internal noise free back draft damper.

### Vertical Blower

The ball bearing sirocco blower and low RPM, capacitor style continuous duty motor provide high performance, low noise, and no maintenance.

### Grill

The grill is mounted without tools, using an extra winding on the mounting spring to ensure a positive fit to the ceiling.

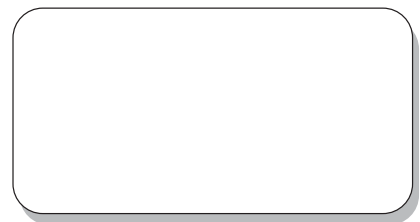


### • Typical Specification

The fan shall be GNN model BPT12-14A. The fan shall have a powder coated steel housing. Hanger rod Mounted with Steel exhaust collar. The fan shall be ducted in accordance with the authority having jurisdiction. The fan shall include an built in back draft damper with a rubber stopper to ensure noise free operation. The blower to be balanced to operate at low rpm. Air delivery shall be rated in accordance with HVI standards. 70 cfm at 0.1"sp. The fan is built in accordance and certified by CE, CSA, HVI, AMCA and ISO 9001.

GNN warrants equipment for 1 year to original registered end user. The equipment shall be free from manufacturing defects. Warranty shall be limited to replacement parts or equipment replacement. In keeping with a policy of continuous research the specifications may change without notice.

Project		Architect	
Location		Engineer	
Contractor		Submitted by	





# Model BPT15-14A1

80 cfm 1.0 sone HVI 120 volts 0.25 amps



# 80

## Ceiling Fans



• **Housing**

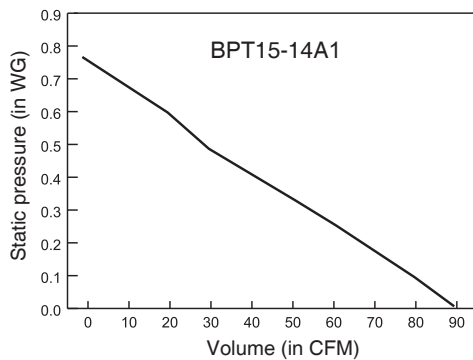
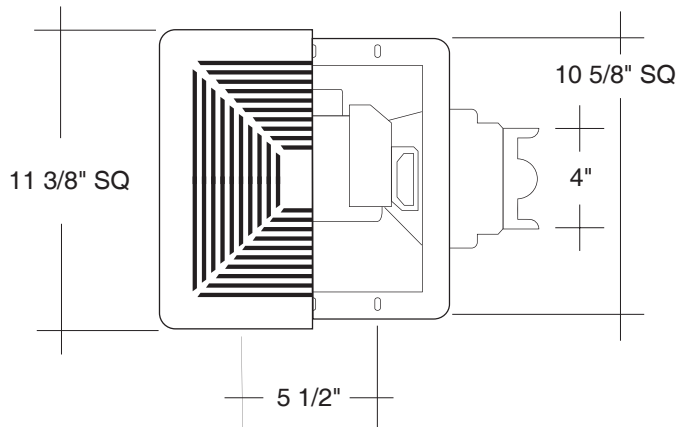
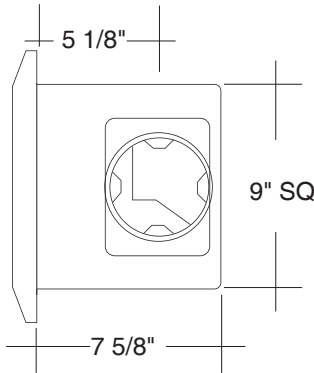
Constructed from premium steel Powder coated, hanger rod mounting secures the housing to the structure. Steel 4" duct collar

• **Vertical Blower**

The sirocco blower assembly and Continuous duty motor provide High performance, low noise, capacitor style continuous dutymotor is designed for low RPM and no maintenance. Ball bearing mounted fan.

• **Grill**

Torsion mounting. Installs without tools extra winding ensure a positive fit to ceiling

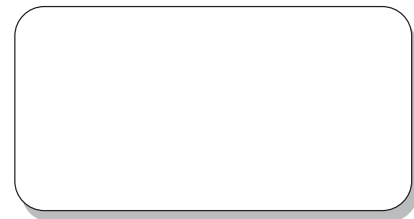


• **Typical Specification**

The fan shall be GNN model BPT15-14A1. The fan shall have a powder coated steel housing. Hanger rod Mounted with Steel exhaust collar. The fan shall be ducted in accordance with the authority having jurisdiction. The fan shall include an built in back draft damper with a rubber stopper to ensure noise free operation. The blower to be balanced to operate at low rpm. Air delivery shall be rated in accordance with HVI standards. 80 cfm at 0.1"sp. The fan is built in accordance and certified by CE, CSA, HVI, AMCA and ISO 9001.

GNN warrants equipment for 1 year to original registered end user. The equipment shall be free from manufacturing defects. Warranty shall be limited to replacement parts or equipment replacement. In keeping with a policy of continuous research the specifications may change without notice.

Project		Architect	
Location		Engineer	
Contractor		Submitted by	





# Model BPT15-24A1

110 cfm 1.5 sone HVI 120 volts 0.43 amps



# 110

## Ceiling Fans

### Housing

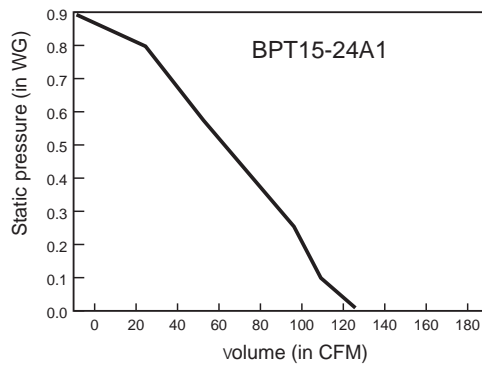
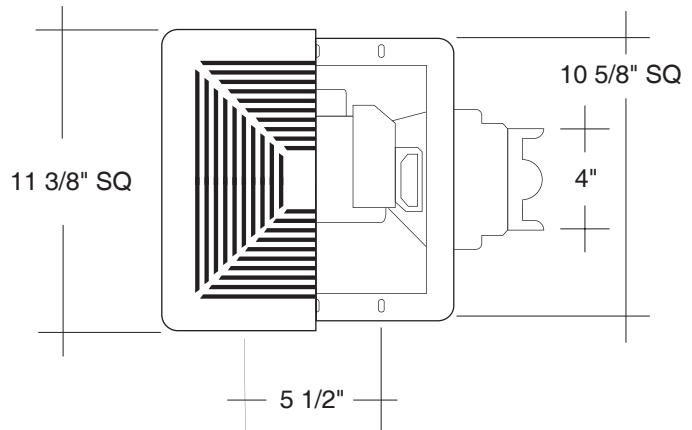
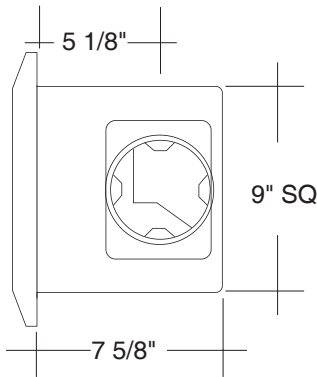
The fan body is constructed from premium steel. Powder coated. Hanger rods are provided to secure the housing to the building structure. The housing includes a 6" steel duct collar and internal noise free back draft damper.

### Vertical Blower

The ball bearing sirocco blower and low RPM, capacitor style continuous duty motor provide high performance, low noise, and no maintenance.

### Grill

The grill is mounted without tools, using an extra winding on the mounting spring to ensure a positive fit to the ceiling.



### • Typical Specification

The fan shall be GNN model BPT15-24A1. The fan shall have a powder coated steel housing. Hanger rod Mounted with Steel exhaust collar. The fan shall be ducted in accordance with the authority having jurisdiction. The fan shall include an built in back draft damper with a rubber stopper to ensure noise free operation. The blower to be balanced to operate at low rpm. Air delivery shall be rated in accordance with HVI standards. 110 cfm at 0.1"sp. The fan is built in accordance or certified by CE, CSA, HVI, AMCA and ISO 9001.

GNN warrants equipment for 1 year to original registered end user. The equipment shall be free from manufacturing defects. Warranty shall be limited to replacement parts or equipment replacement. In keeping with a policy of continuous research the specifications may change without notice.

Project	Architect
Location	Engineer
Contractor	Submitted by





# Model BPT15-34A

160 cfm 2.0 sone HVI 120 volts 0.34 amps



# 160

## Ceiling Fans

### Housing

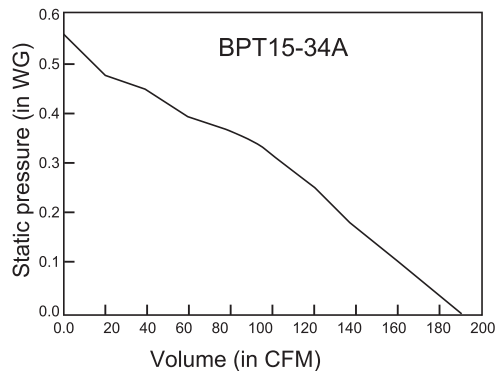
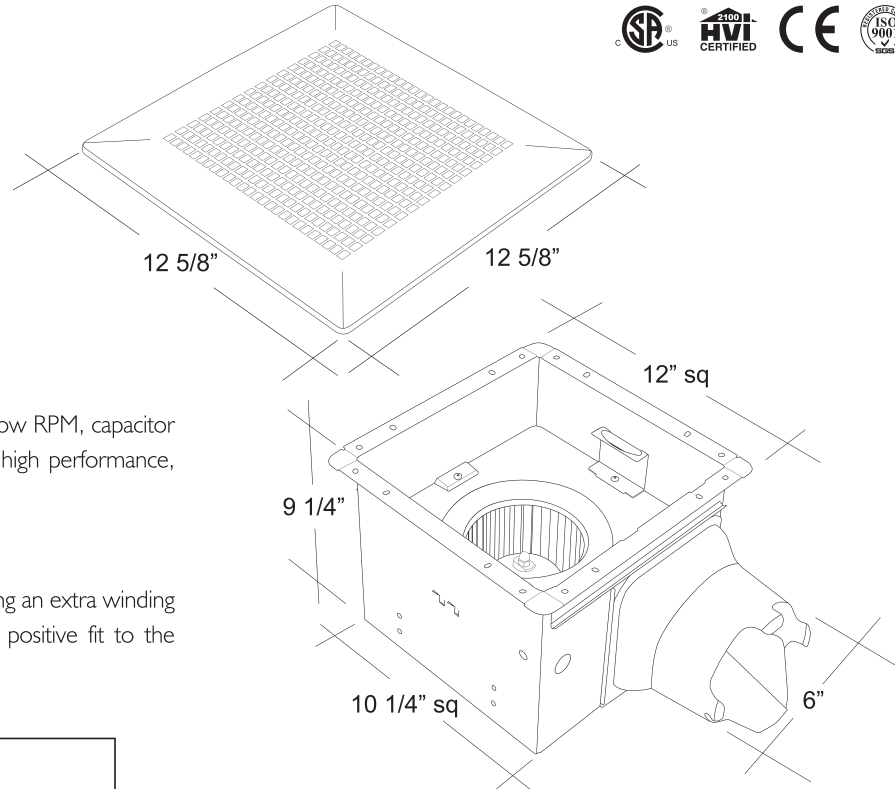
The fan body is constructed from premium steel. Powder coated. Hanger rods are provided to secure the housing to the building structure. The housing includes a 6" steel duct collar and internal noise free back draft damper

### Vertical Blower

The ball bearing sirocco blower and low RPM, capacitor style continuous duty motor provide high performance, low noise, and no maintenance.

### Grill

The grill is mounted without tools, using an extra winding on the mounting spring to ensure a positive fit to the ceiling.



### • Typical Specification

The fan shall be GNN model BPT15-34A. The fan shall have a powder coated steel housing. Hanger rod Mounted with Steel exhaust collar. The fan shall be ducted in accordance with the authority having jurisdiction. The fan shall include an built in back draft damper with a rubber stopper to ensure noise free operation. The blower to be balanced to operate at low rpm. Air delivery shall be rated in accordance with HVI standards. 160 cfm at 0.1"sp. The fan is built in accordance and certified by CE , CSA, HVI, AMCA and ISO 9001.

GNN warrants equipment for 1 year to original registered end user. The equipment shall be free from manufacturing defects. Warranty shall be limited to replacement parts or equipment replacement. In keeping with a policy of continuous research the specifications may change without notice.

Project		Architect	
Location		Engineer	
Contractor		Submitted by	





**Head Office**

638 Raleigh Street  
Winnipeg, Manitoba  
Canada R2K 3Z9  
Ph: 204.669.4220  
Fax: 204.663.2715

**Winnipeg**

101 Elan Boulevard • Winnipeg, Manitoba • R2J 4H1  
Ph: 204.982.2222 • Fax: 204.663.9102

**Toronto**

130B Pippin Road • Vaughan, Ontario • L4K 4X9  
Ph: 905.669.8988 • Fax: 905.669.8023

**Barrie**

90 Ellis Drive Unit # 2 • Barrie, Ontario • L4N 8Z3  
Ph: 705.739.9374 • Fax: 705.739.9707

**Ottawa**

1542 Chatelain Avenue • Ottawa, Ontario • K1Z 8B5  
Ph: 613.725.2029 • Fax: 613.725.2719

**London**

10 Pacific Court • London, Ontario • N5V 3K4  
Ph: 519.451.5100 • Fax: 519.451.8726

**Hamilton**

70 Unsworth Drive, Unit #11 • Hamilton, Ontario • L8W 3K4  
Ph: 905.383.3599 • Fax: 905.383.1274

**Montreal**

4645 rue Louis-B-Mayer • Laval, Québec • H7P 6G5  
Tél: 514.334.9804 • Téléc: 514.745.3159

**Québec City**

4600, Boulevard Henri-Bourassa, Suite 239 • Québec City, Québec • G1H 3A5  
Tél: 418.622.9946 • Téléc: 418.622.0322

**Dartmouth**

10 Akerley Boulevard, Suite 38 • Dartmouth, Nova Scotia • B3B 1J4  
Ph: 902.468.1310 • Fax: 902.468.5270

**Vancouver**

#2 – 8038 Glenwood Drive • Burnaby, British Columbia • V3N 5E9  
Ph: 604.777.1712 • Fax: 604.777.1713

**Victoria**

475 Tennyson Place • Victoria, British Columbia • V8Z 6S8  
Ph: 250.475.1500 • Fax: 250.475.1502

**Kelowna**

130 – 397 Penno Road • Kelowna, British Columbia • V1X 7W5  
Ph: 250.765.7226 • Fax: 250.765.7224

**Edmonton**

12944 – 148 Street • Edmonton, Alberta • T5L 2H8  
Ph: 780.477.9231 • Fax: 780.477.3701

**Calgary**

Bay 130, 2730 - 39th Ave NE • Calgary, Alberta • T1Y 7H6  
Ph: 403.777.2790 • Fax: 403.777.2791

**Regina**

703 Toronto Street • Regina, Saskatchewan • S4P 8G1  
Ph: 306.525.2367 • Fax: 306.359.7899

**Saskatoon**

#8 - 130 Robin Crescent • Saskatoon, Saskatchewan • S7L 6M7  
Ph: 306.931.3316 • Fax: 306.931.0914

**Product Improvement** is a continuing endeavour at Price. Therefore, specifications are subject to change without notice. Consult your E.H. Price Sales representative for current specifications or more detailed information.