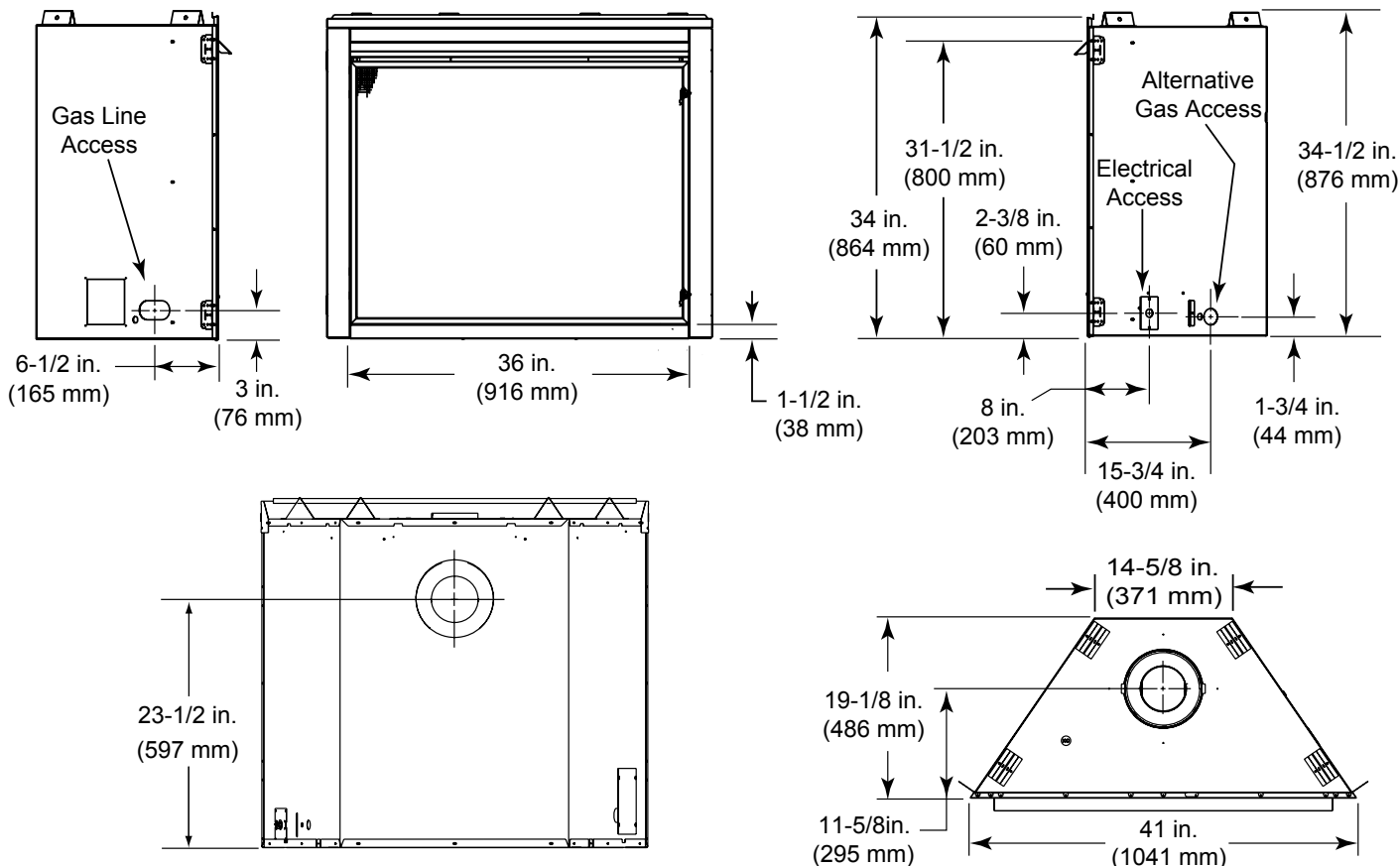




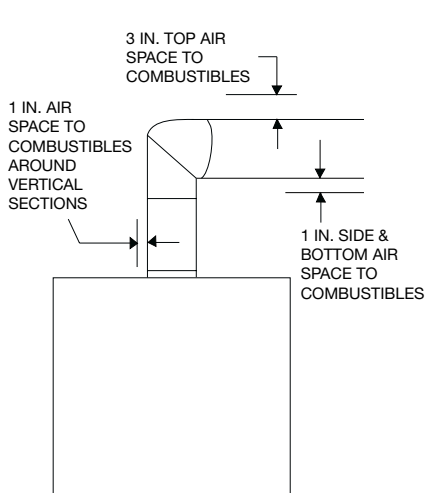
Please consult the manufacturer's installation manual for all details and requirements before making a final design layout decision.

NNXT4236I
Single-sided Gas Fireplace

MODEL	HEIGHT		FRONT WIDTH		BACK WIDTH		DEPTH		VIEWING AREA
	Actual	Framing	Actual	Framing	Actual	Framing	Actual	Framing	
NNXT4236I	34	34-7/8	41	42	14-5/8	42	19-1/8	19-5/8	36 x 20



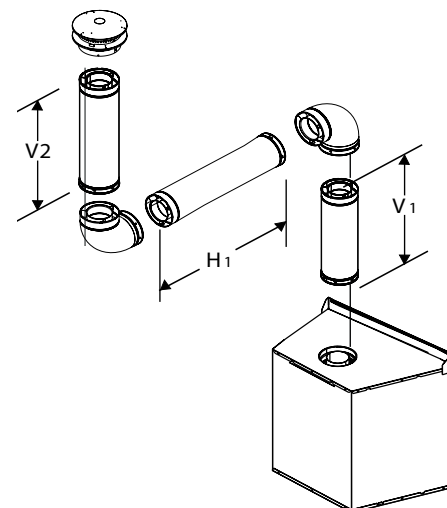
GUIDELINES FOR VERTICAL VENTING WITH A TWO-ELBOW CONFIGURATION



WARNING!! Fire Risk.

Consult installation manual for installation clearances and details.

- Maximum vertical (V1) straight length of pipe (no elbows) = 60 ft. (18.3 m) from base of appliance to termination.
- Minimum total vertical vent = 12 ft. (3.7 m) base of appliance to termination.
- Maximum length of (H) vent pipe can equal 100% of total vertical (V1 + V2), but cannot exceed 17 ft. (7.9 m).
- Firestops (interior heat shields) are required on both sides of a combustible surface through which a vent passes.
- Maintain 1/2 in. (13 mm) minimum clearance to combustibles along the sides and back of the appliance.



DISCLAIMER: This information is intended for reference only, and is subject to change without notice. Refer to www.heatilator.com to view the installation manual for detailed information, or work with a fireplace dealer when planning and installing this unit.

FIREPLACE LOCATIONS AND DIMENSIONS

1/2 in. (13 mm) min. appliance to combustibles

1 in. (25 mm) min. pipe to combustibles

48 in. (1219 mm) maximum

1 in. (25 mm) min. pipe to combustibles

Drywall

Alcove Installation

Top Vent One 90° elbow Horiz Term

Rear vent One 45° elbow Horiz Elbow

In addition to these framing dimensions, also reference the following sections of the install manual:

- Clearances and Mantel Projections (Sections 3.C. and 3.D.)
- Vent Clearances and Framing (Section 6)

Rear Vent One 90° elbow Vert Term

No elbows Horiz Term

Rear Vent Two 90° elbows Horiz Term

Model	A	B	C	D	E	F	G
NNXT42361	42" (1067mm)	37-5/8" (956mm)	19-5/8" (498mm)	43-3/8" (1102mm)	47" (1194mm)	53-1/4" (1353mm)	43" (1092mm)

FRAMING

Model	A Rough Opening (width)	B Rough Opening (height)	C Rough Opening (depth)	D Rough Opening (dvp pipe)	D Rough Opening (slp pipe)
NNXT42361	42" (1067mm)	34-7/8" (886mm)	19-5/8" (498mm)	10" (254mm)	9" (229mm)

MANTEL PROJECTIONS

Note: All measurements in inches.

30 in. minimum to ceiling

Measured from top of hood (in inches)

APPLIANCE CLEARANCES

Clearance to Ceiling 30 in. (762 mm)

0 in. TO LEVEL OF STANDOFFS

36 in. (914 mm)

0 in.

Combustible Object

CLEARANCE TO PERPENDICULAR WALLS

Top of Appliance

Drywall

Mantel Leg or Perpendicular Wall

A	1 in. (25 mm) min. to perpendicular wall
B	3-1/2 in. (89 mm) min. from fireplace opening to perpendicular wall

NONCOMBUSTIBLE FACING

Finish wall material may be combustible - Top and Sides

0 in.

0 in.

0 in.

High Temperature Sealant (300° F/149° C min.) Top and Side Seal Joint

PRODUCT LISTING CODES

US	ANSI Z21.88-2002
CAN	CSA2.33-M2002
US LISTED	UL307B

Product information provided is not complete and is subject to change without notice. Product installation must adhere strictly to instructions accompanying product to avoid risk of fire and potential injury.

Additional information can be found online at www.heatilator.com