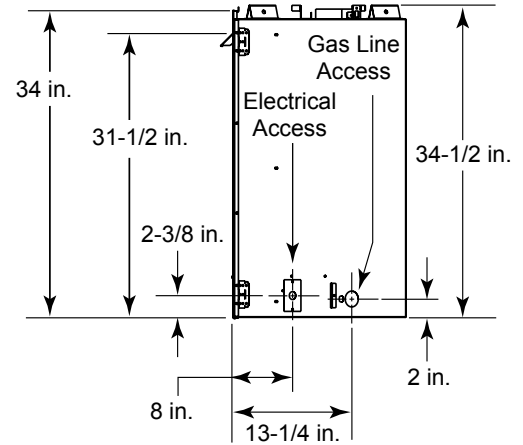
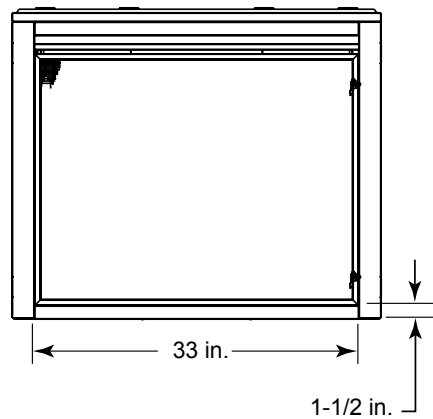
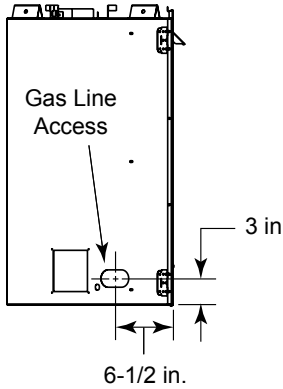
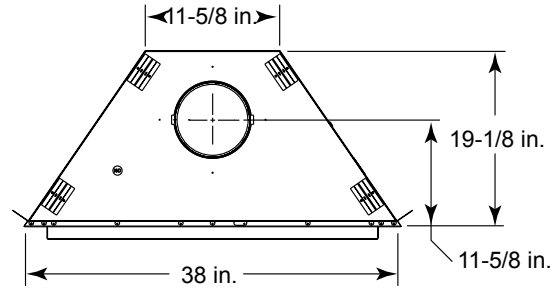




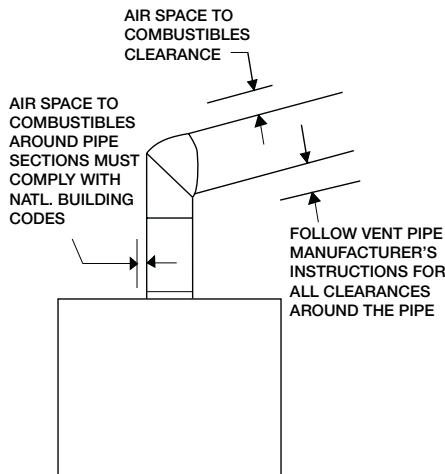
Please consult the manufacturer's installation manual for all details and requirements before making a final design layout decision.

NBV3933
Single-sided Gas Fireplace

MODEL	HEIGHT		FRONT WIDTH		BACK WIDTH		DEPTH		VIEWING AREA
	Actual	Framing	Actual	Framing	Actual	Framing	Actual	Framing	
NBV3933	34-1/2	34-7/8	38	39	11-5/8	39	19-1/8	19-5/8	33 x 20



GUIDELINES FOR VERTICAL VENTING WITH A TWO-ELBOW CONFIGURATION

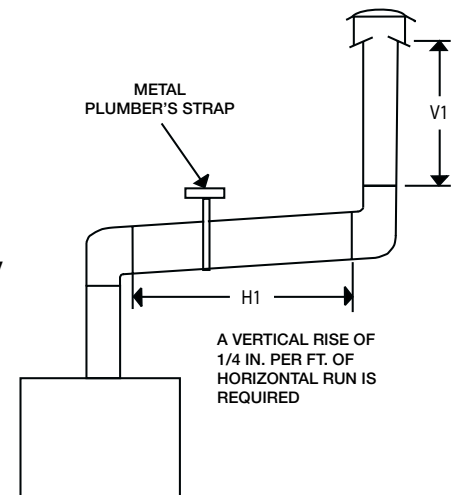


WARNING!!

Fire Risk.

Consult installation manual for installation clearances and details.

- Maximum vertical (V1) = 60 ft. (18.3 m) from base of application to termination.
- Minimum vertical vent = 12 ft. (3.7 m) from base of application to termination.
- Vertical (V1) to horizontal (H1) ratio = 2:1 every 2 ft. of V1 allows 1 ft. maximum of H1.
- Maximum length of horizontal (H1) is 50% of (V1) & cannot be more than 30 ft. (9.2 m).
- This product must terminate vertically.
- Use B-vent pipe coupled with an attic shield.
- Maintain 1/2 in. (13 mm) minimum clearance to combustibles from the back and sides of the fireplace.



DISCLAIMER: This information is intended for reference only, and is subject to change without notice. Refer to www.heatilator.com to view the installation manual for detailed information, or work with a fireplace dealer when planning and installing this unit.

FIREPLACE LOCATIONS AND DIMENSIONS

1/2 in. (13 mm) min. appliance to combustibles

Drywall

Alcove Installation

48 in. (1219 mm) max.

In addition to these framing dimensions, also reference the following sections:

- Clearances and Mantel Projections (Sections 3.C. and 3.D.)
- Vent Clearances and Framing (Section 6)

Extremely tight corner fit!

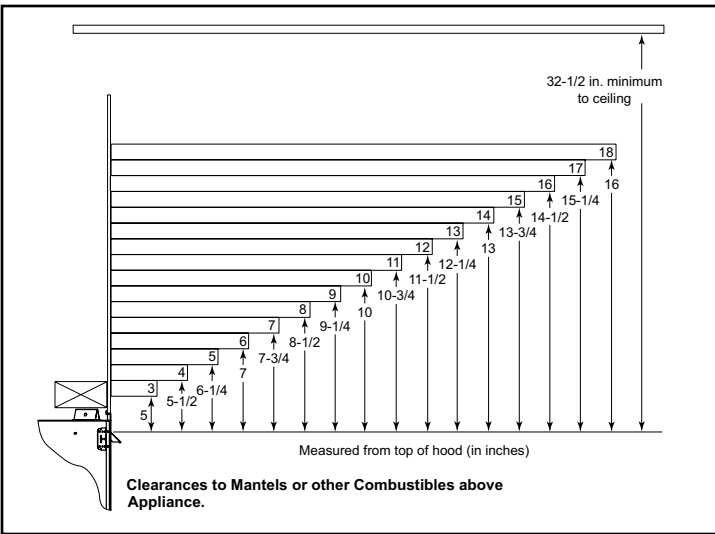
Model	A	B	C	D
NBV3933	39"	35-1/2"	19-5/8"	40"

FRAMING

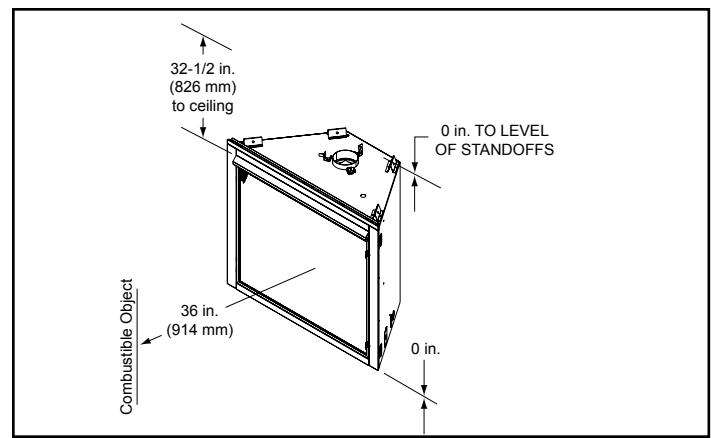
Per Manufacturer's Specifications

Model	A Rough Opening (Width)	B Rough Opening (Height)	C Rough Opening (Depth)
NBV3933	39"	34-7/8"	19-5/8"

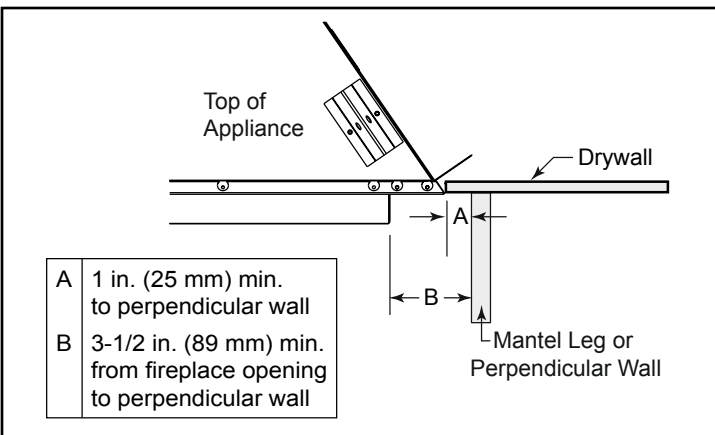
MANTEL PROJECTIONS



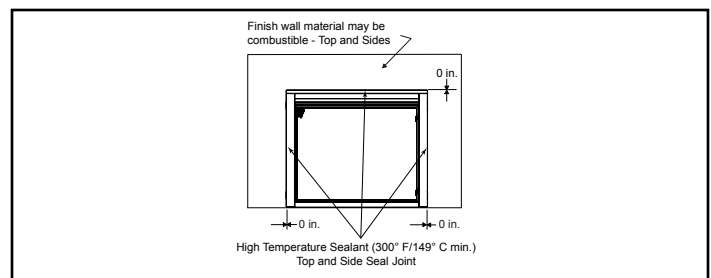
APPLIANCE CLEARANCES



CLEARANCE TO PERPENDICULAR WALLS



NONCOMBUSTIBLE FACING



PRODUCT LISTING CODES

US	ANSI Z21.88-2002
CAN	CGA 2.2
	UL307B

Product information provided is not complete and is subject to change without notice. Product installation must adhere strictly to instructions accompanying product to avoid risk of fire and potential injury.

Additional information can be found online at www.heatilator.com