

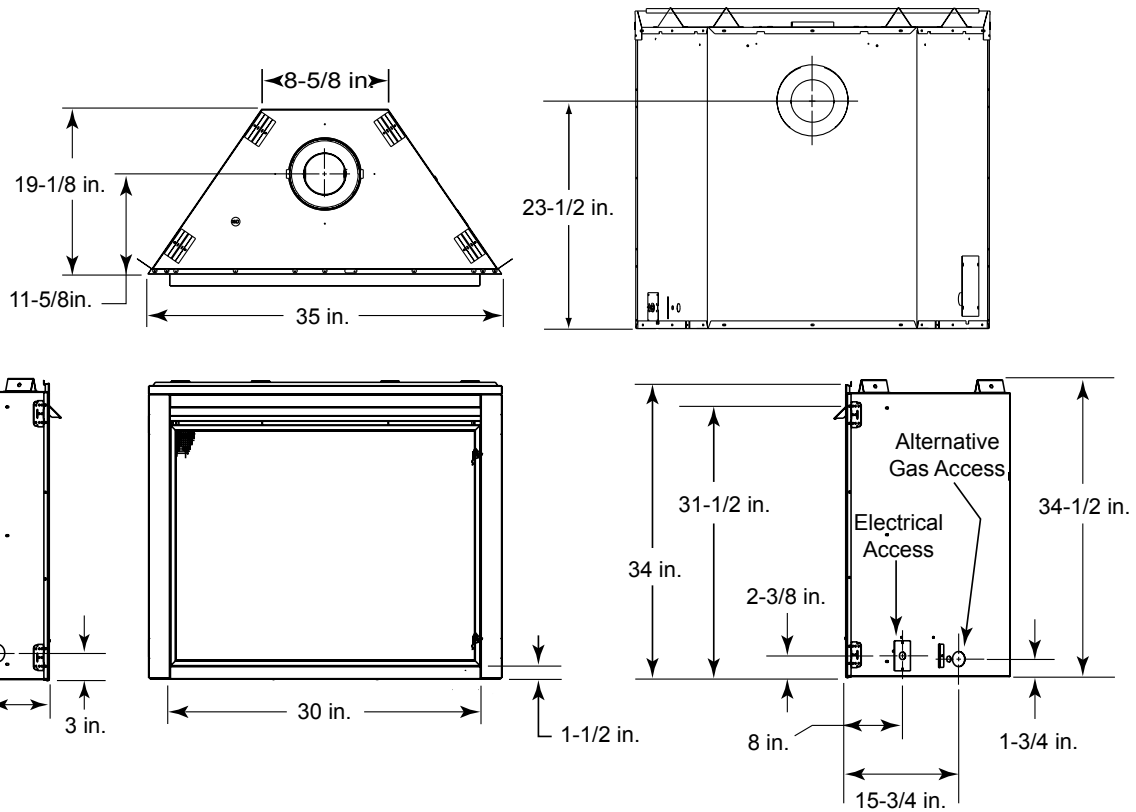


Please consult the manufacturer's installation manual for all details and requirements before making a final design layout decision.

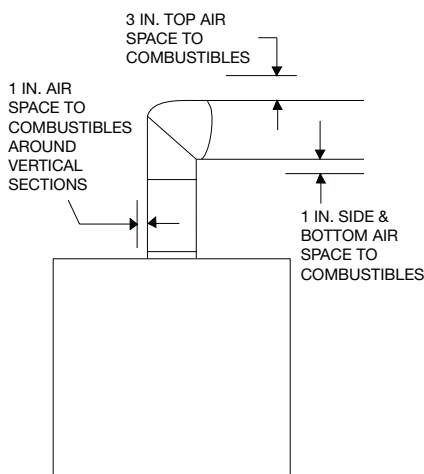
# NDV3630

## Single-sided Gas Fireplace

MODEL	HEIGHT		FRONT WIDTH		BACK WIDTH		DEPTH		VIEWING AREA
	Actual	Framing	Actual	Framing	Actual	Framing	Actual	Framing	
NDV3630	34-1/2	34-7/8	34-1/2	36	8-5/8	36	19-1/8	19-5/8	30 x 20



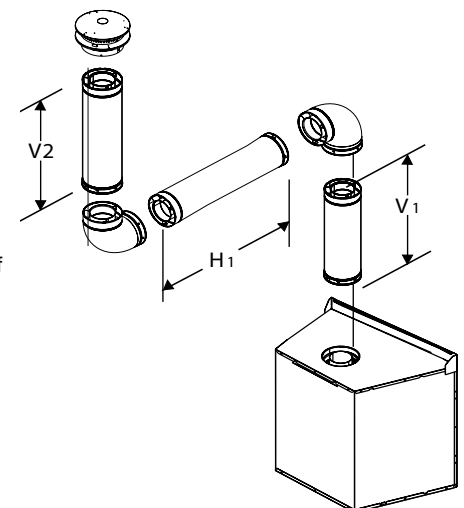
### GUIDELINES FOR VERTICAL VENTING WITH A TWO-ELBOW CONFIGURATION



#### **WARNING!!** Fire Risk.

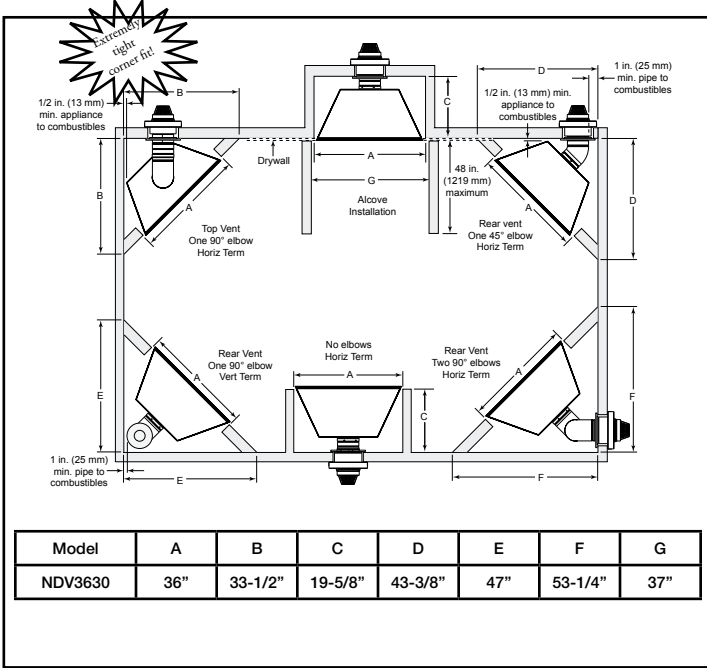
Consult installation manual for installation clearances and details.

- Maximum vertical (V1) straight length of pipe (no elbows) = 60 ft. (18.3 m) from base of appliance to termination.
- Minimum total vertical vent = 12 ft. (3.7 m) base of appliance to termination.
- Maximum length of (H) vent pipe can equal 100% of total vertical (V1 + V2), but cannot exceed 26 ft. (7.9 m).
- Firestops (interior heat shields) are required on both sides of a combustible surface through which a vent passes.
- Maintain 1/2 in. (13 mm) minimum clearance to combustibles along the sides and back of the appliance.

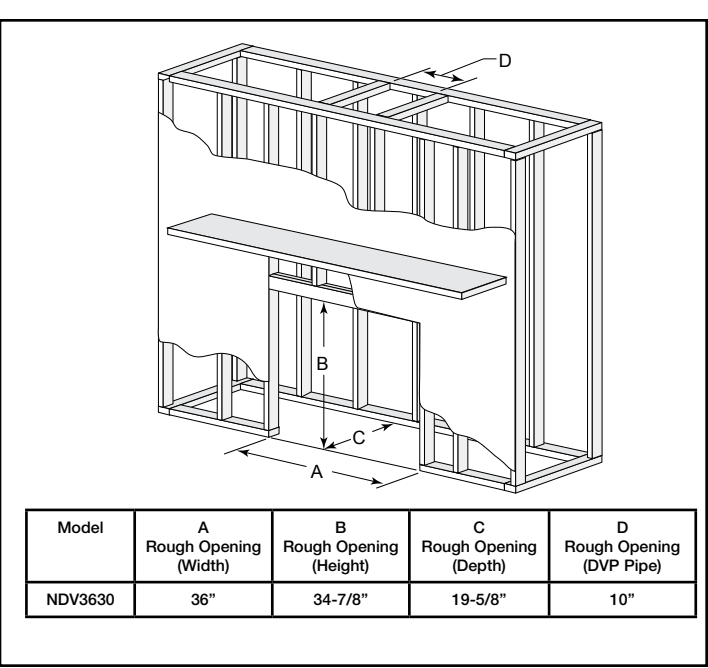


DISCLAIMER: This information is intended for reference only, and is subject to change without notice. Refer to [www.heatilator.com](http://www.heatilator.com) to view the installation manual for detailed information, or work with a fireplace dealer when planning and installing this unit.

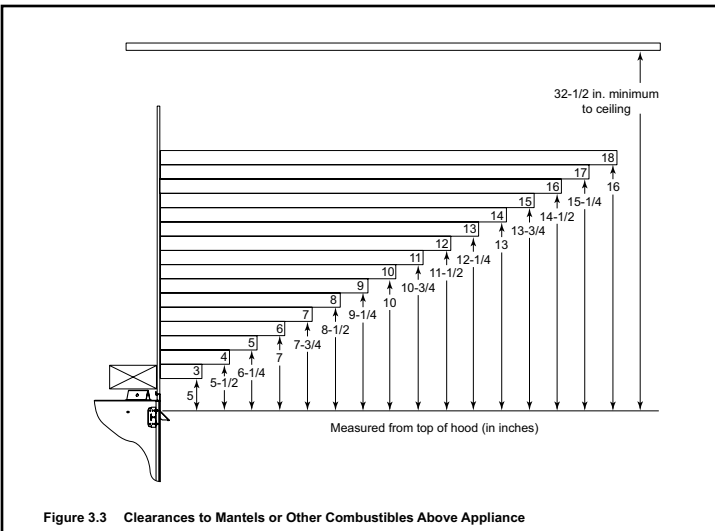
### FIREPLACE LOCATIONS AND DIMENSIONS



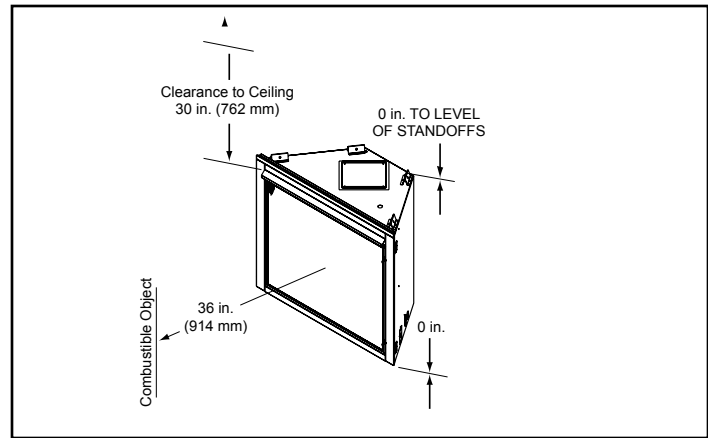
### FRAMING



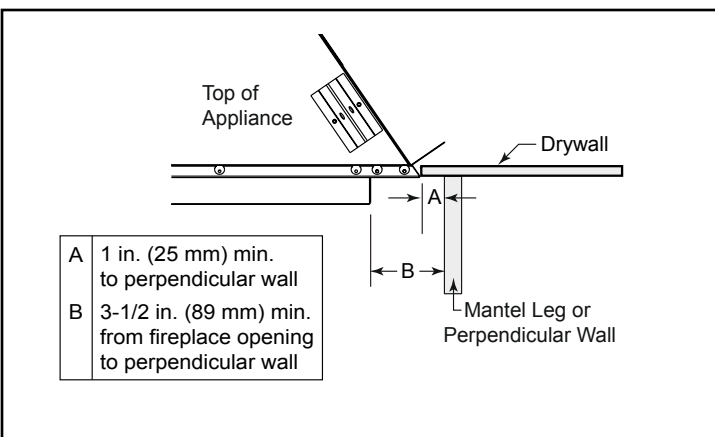
### MANTEL PROJECTIONS



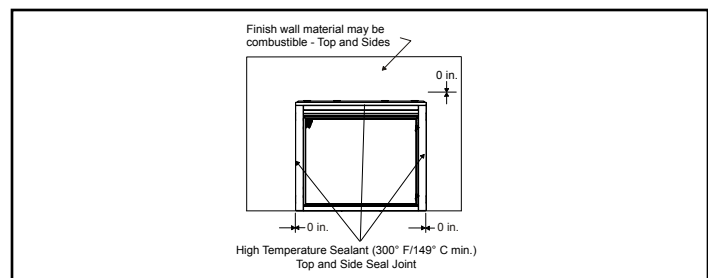
### APPLIANCE CLEARANCES



### CLEARANCE TO PERPENDICULAR WALLS



### NONCOMBUSTIBLE FACING



#### PRODUCT LISTING CODES

US	ANSI Z21.88-2000
CAN	CSA2.33-M98
	UL307B

Product information provided is not complete and is subject to change without notice. Product installation must adhere strictly to instructions accompanying product to avoid risk of fire and potential injury.

Additional information can be found online at [www.heatilator.com](http://www.heatilator.com)