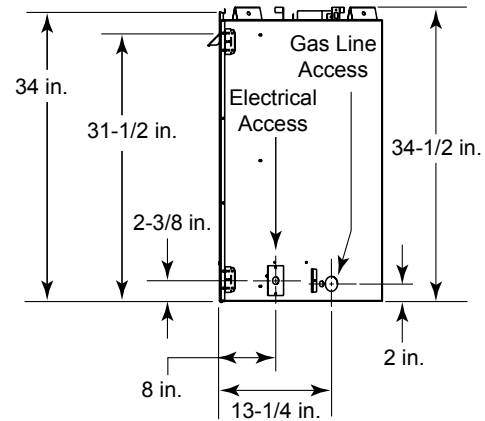
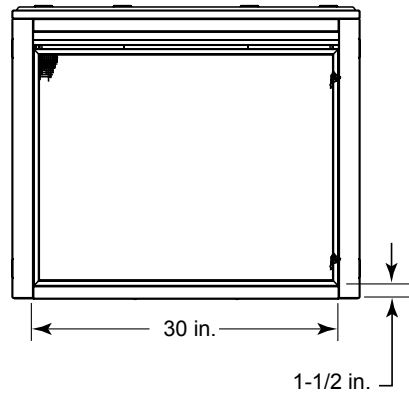
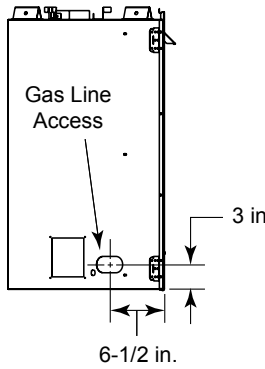
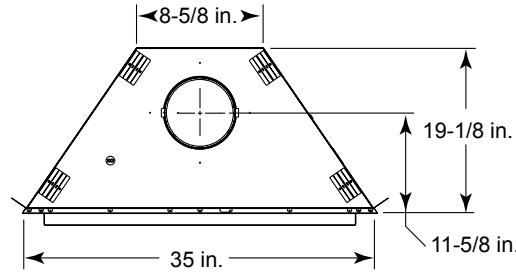




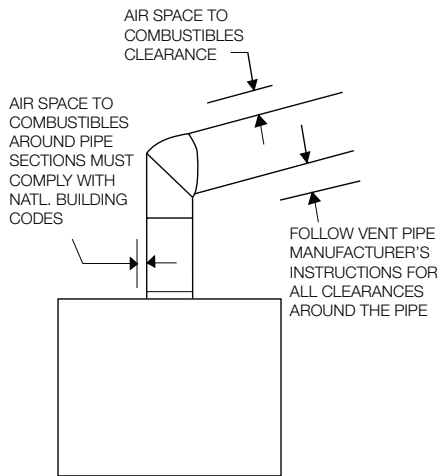
Please consult the manufacturer's installation manual for all details and requirements before making a final design layout decision.

NBV3630

MODEL	HEIGHT		FRONT WIDTH		BACK WIDTH		DEPTH		VIEWING AREA
	Actual	Framing	Actual	Framing	Actual	Framing	Actual	Framing	
NBV3630	34-1/2	34-7/8	34-1/2	36	8-5/8	36	19-1/8	19-5/8	30 x 20



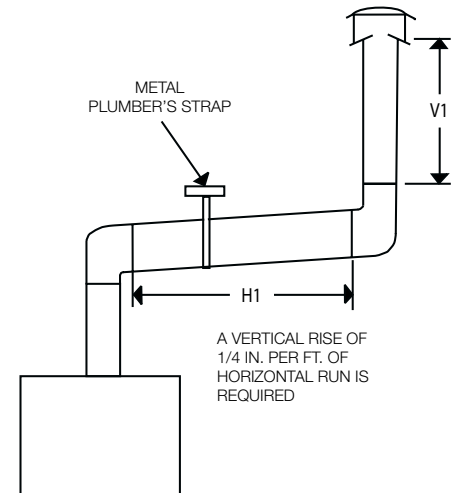
**GUIDELINES FOR VERTICAL VENTING WITH A TWO-ELBOW CONFIGURATION**



**WARNING!!** Fire Risk.

Consult installation manual for installation clearances and details.

- Maximum vertical (V1) = 60 ft. (18.3 m) from base of application to termination.
- Minimum vertical vent = 12 ft. (3.7 m) from base of application to termination.
- Vertical (V1) to horizontal (H1) ratio = 2:1 every 2 ft. of V1 allows 1 ft. maximum of H1.
- Maximum length of horizontal (H1) is 50% of (V1) & cannot be more than 30 ft. (9.1 m).
- This product must terminate vertically.
- Use B-vent pipe coupled with an attic shield.
- Maintain 1/2 in. (13 mm) minimum clearance to combustibles from the back and sides of the fireplace.



DISCLAIMER: This information is intended for reference only, and is subject to change without notice. Refer to [www.heatilator.com](http://www.heatilator.com) to view the installation manual for detailed information, or work with a fireplace dealer when planning and installing this unit.

### FIREPLACE LOCATIONS AND DIMENSIONS

1/2 in. (13 mm) min. appliance to combustibles

Drywall

Alcove Installation

48 in. (1219 mm) max.

In addition to these framing dimensions, also reference the following sections:

- Clearances and Mantel Projections (Sections 3.C. and 3.D.)
- Vent Clearances and Framing (Section 6)

**Extremely tight corner fit!**

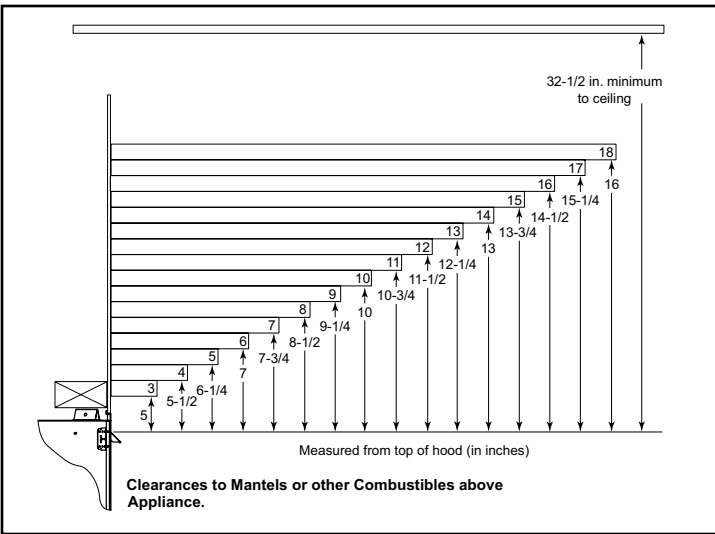
Model	A	B	C	D
NBV3630	36"	33-1/2"	19-5/8"	37"

### FRAMING

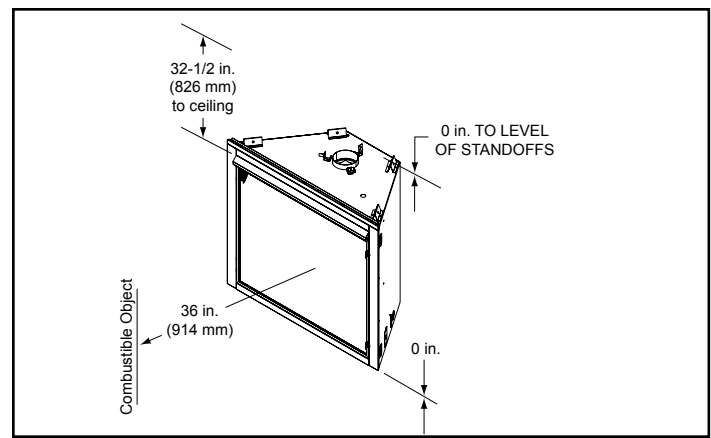
Per Manufacturer's Specifications

Model	A Rough Opening (Width)	B Rough Opening (Height)	C Rough Opening (Depth)
NBV3630	36"	34-7/8"	19-5/8"

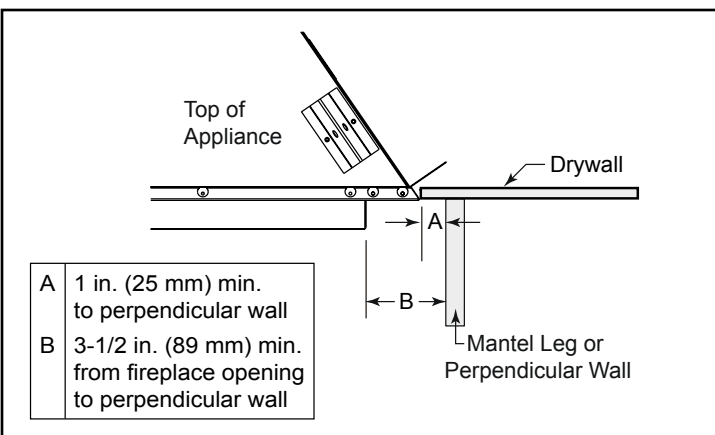
### MANTEL PROJECTIONS



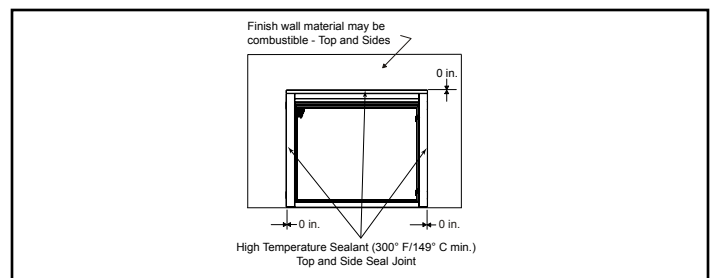
### APPLIANCE CLEARANCES



### CLEARANCE TO PERPENDICULAR WALLS



### NONCOMBUSTIBLE FACING



#### PRODUCT LISTING CODES

US	ANSI Z21.88-2002
CAN	CGA 2.2
US LISTED	UL307B

Additional information can be found online at [www.heatilator.com](http://www.heatilator.com)