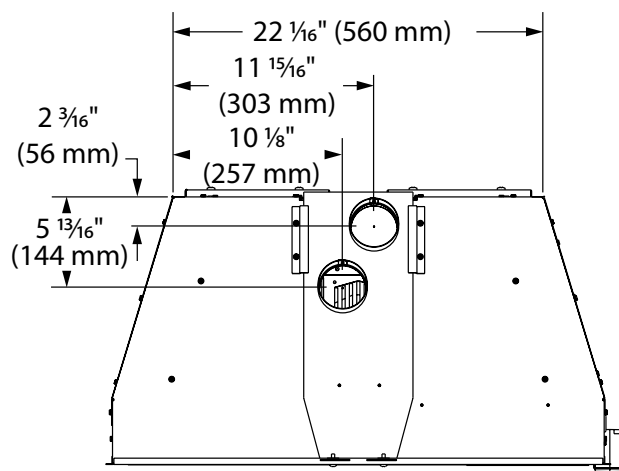


PRODUCT SPECIFICATIONS

# ICFDV30LNTSC Harmony Direct Vent Gas Insert



**ACTUAL DIMENSIONS**

Actual size: 29"W x 20"H x 16"D (737 mm x 508 mm x 406 mm)  
Viewing area: 26 1/4"W x 16 1/8"H, 409 in.<sup>2</sup> (667 mm x 411 mm), 2638 cm<sup>2</sup>

**FEATURES**

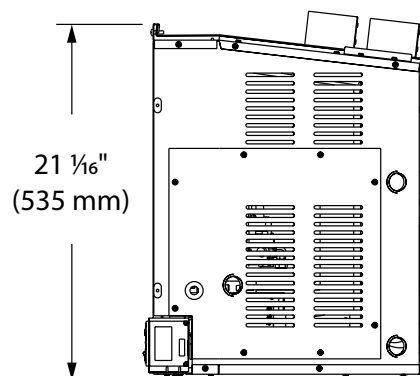
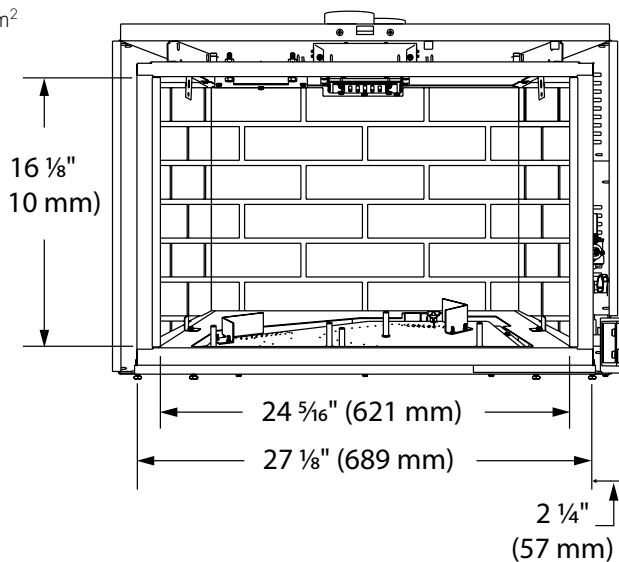
- Direct vent gas insert with louverless flush face and simple, traditional styling
- Cottage Clay brick liner
- Natural Blaze burner that produces beautiful yellow flames with strikingly realistic movement
- Total Signature Command with hand held touch screen remote control (TSFSC) and A/C module (SCSACM)
- Dual blower (160 cfm)

**TOTAL SIGNATURE COMMAND FEATURES**

- A/C control with automatic battery back-up for operation during power failures
- Electronic ignition saves money and energy
- Optional cold climate pilot setting keeps flue warm, prevents condensation on door glass and keeps cold air from entering the home through the chimney
- Hi/Lo 3-step flame adjustment to run unit at your desired level of comfort

**FIELD INSTALLED ACCESSORIES**

- Square, contemporary face available in Textured Black or Iron Age
- Glass trim available in Vintage Iron or Textured Mocha
- Floating face and arched or rectangular double doors available in Satin Black, Vintage Iron or Textured Mocha
- Illumination kit



A Brand of Monessen Hearth Systems Co.  
149 Cleveland Drive, Paris, Kentucky 40361  
[www.monessenhearth.com](http://www.monessenhearth.com)

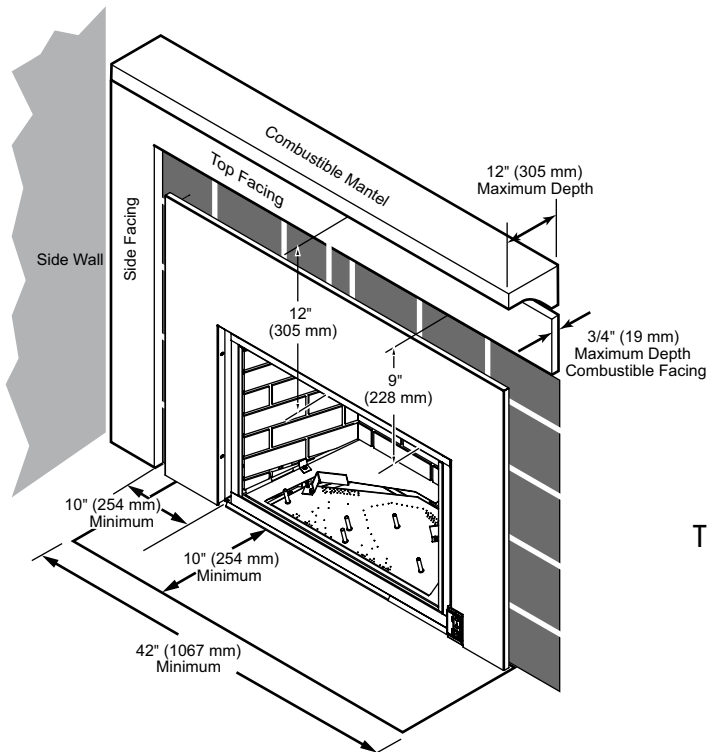
See back for more technical information.

PRODUCT SPECIFICATIONS

# ICFDV30LNTSC Harmony Direct Vent Gas Insert



## INSERT CLEARANCES



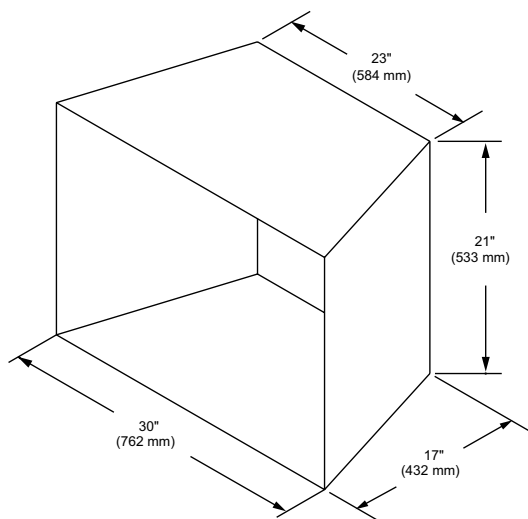
## FIELD INSTALLED ACCESSORIES

- Three sided surrounds available:
  - ICF30S3B 26"H x 38"W x 2"D (side facing control)  
(660 mm x 965 mm x 51 mm)
  - ICF30S3FB 26"H x 38"W x 5/8"D (front facing control)  
(660 mm x 965 mm x 16 mm)
  - ICF30M3FB 30"H x 42"W x 5/8"D (front facing control)  
(762 mm x 1065 mm x 16 mm)
  - ICF30C3B 36"H x 44"W x 1/8"D trimmable (front facing control)  
(914 mm x 1118 mm x 3 mm)
- Termination Caps
  - 8" x 12" (HEDV32T812)
  - 12" x 12" (HEDV32T1212)
- Aluminum flex liner kits:
  - (2) 3" x 25' (76 mm x 7.6 m) (HEDVK25)
  - (2) 3" x 35' liners (76 mm x 10.7 m) (HEDVK35)
- Conversion kit for LP (required)

## TECHNICAL SPECIFICATIONS

BTU Input: 31,000 - 22,500 Natural Gas  
29,000 - 21,500 Liquid Propane  
Ignition System: Total Signature Command  
Gas Type: Natural Gas or Liquid Propane  
Gas Line: Shut-off valve and 24" (610 mm) flex line  
Flue Type: 3" (76 mm) intake and 3" exhaust flex vent  
Termination: Intake and exhaust, top center slide connector  
Min./Max. Vent Height: 10' (3 m) min. / 40' (12.9 m) max.  
Design Certified: CSA

## MINIMUM FIREPLACE OPENING



## CLEARANCE TO COMBUSTIBLES

Front of Fireplace: 36" (914 mm)  
Mantel Clearance: 12" (305 mm) min. / 12" Depth (305 mm) max.  
Firebox Opening to Side Wall: 10" (254 mm)  
Hearth Requirement: 10" (254 mm)

## EFFICIENCY DATA

AFUE Efficiency: 67.2% NG / 71.5% LP  
Canadian P4 Efficiency: Up to 71.9% NG / 83.7% LP

## MINIMUM FIREPLACE DIMENSIONS

30"W (Front) x 21"H x 17"D x 23"W (Rear)  
(762 mm x 533 mm x 432 mm x 584 mm)



To avoid personal injury or property damage, the product described by this brochure must be installed, operated and maintained in strict compliance with the instructions packaged with the product and all applicable building or fire codes. Contact local building or fire officials about restrictions and installation inspection requirements. All photographs and drawings on this brochure are for illustrative purposes only and are not intended for, nor should they be used as a substitute for the instructions packaged with the unit. Appearance and specifications of the product are subject to change without notice. © 2011 Monessen Hearth Systems Co. 1011v1