

PRODUCT SPECIFICATIONS
MLDV500 Winchester Direct Vent



GLASS VIEWING AREA

33"W x 25-13/16"H 902 Square Inches

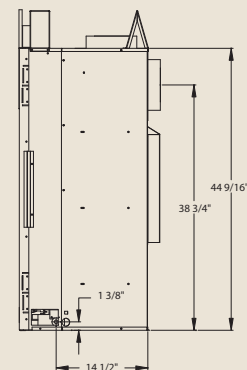
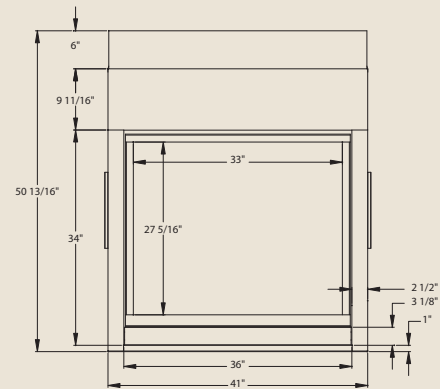
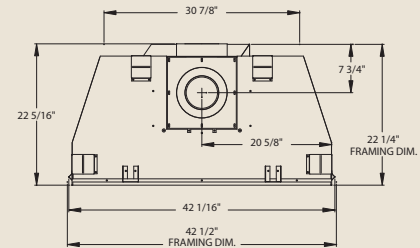
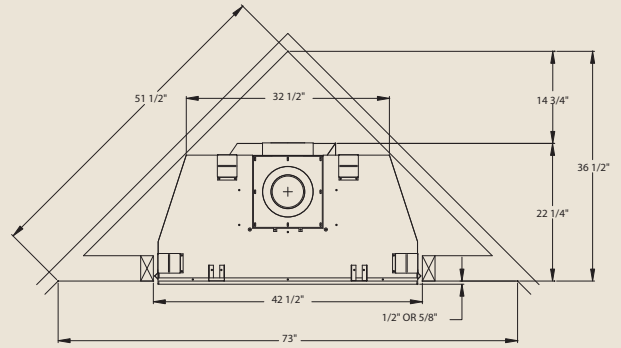
TECHNICAL INFORMATION

Max. Btu Input: 34,000 BTU/HR
 Ignition System: Signature Command™ System
 Gas Type: Natural or LP
 Flue Type: Simpson Dura-Vent, Selkirk Metalbestos, MetalFab
 Termination: Rear/Top Vent Convertible
 Clearance to Flue for Interior: 3" Top, 1" Bottom and Sides**
 Clearance to Flue for Outside Wall: 1"
 Clearance to Fireplace: 0"
 Minimum Vent Height Before Elbow: 12"
 CSA Design Certified

FIELD INSTALLED ACCESSORIES

Louvers: Brass, Pewter
 Firebrick: Cottage Clay, Cottage Red or Vintage Brown
 Variable Thermostat Controlled Dual Forced Air Blower (160 cfm) – BLOTBLDV
 Signature Command System Dual Forced Blowers (160 cfm) – BLOTBLDVSC
 Mesh Glass Cover
 Andirons
 Field Conversion Kits
 Ambient Technologies™ Remote Controls and Thermostats

** If vertical rise is 7-1/2 feet or higher when in top vent configuration only, the vent clearance to combustibles is 1" on all sides of the horizontal run.



A Brand of Monessen Hearth Systems Co.
 149 Cleveland Drive, Paris, Kentucky 40361

www.monessenhearth.com

