

PRODUCT SPECIFICATIONS
CDVT33SC7 Direct Vent



GLASS VIEWING AREA

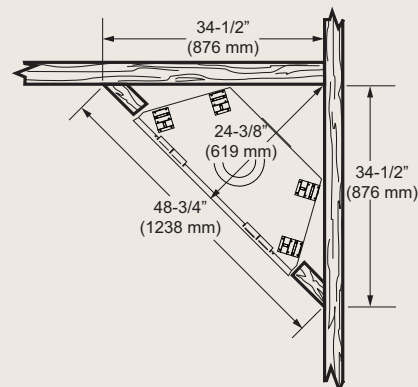
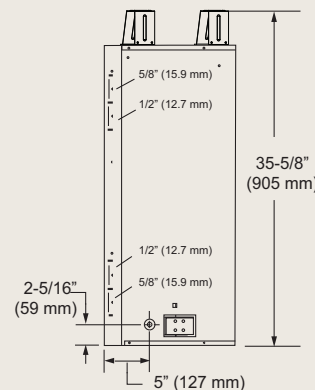
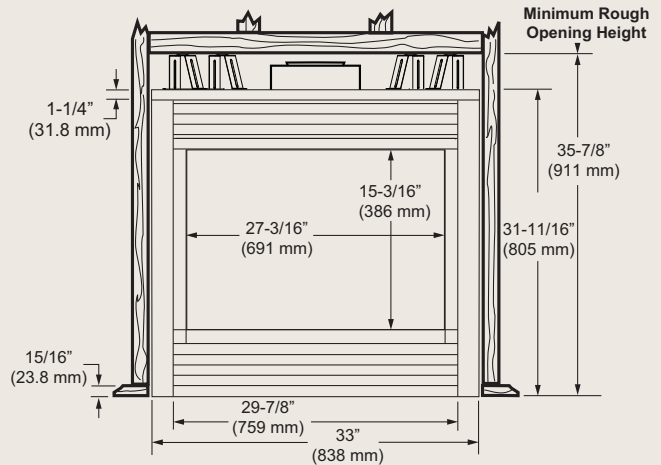
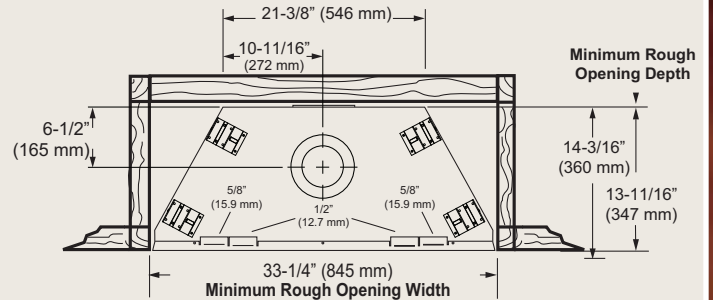
27-3/16" W x 15-7/16" H (418 Square Inches)
 (691 mm x 386 mm)

STANDARD FEATURES

- Unitized black louver assembly
- Ember bed burner
- Ceramic Fiber logs
- Grate
- Junction box
- Nailing tabs for 1/2" (12.7 mm) and 5/8" (15.9 mm)

FIELD INSTALLED ACCESSORIES

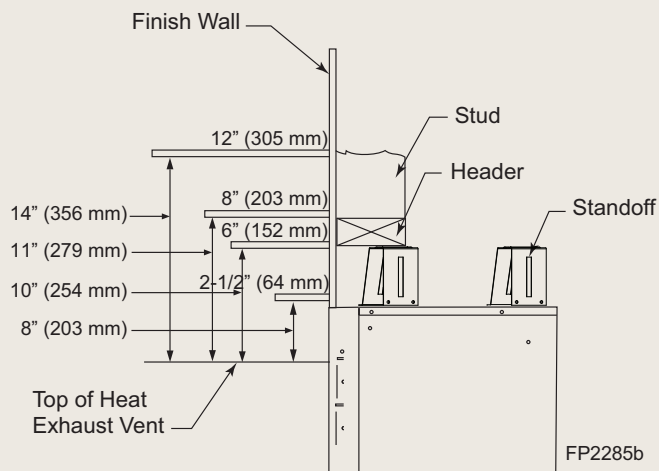
- Firebrick: Cottage Clay
- Curved Trim: Black
- Medium Trim Kit: Black
- Manual Blower and Cord (160cfm): FK-12
- Thermostat Blower (160cfm): BLOT
- Signature Command Blower (160cfm): BLOTSC (requires purchase of SCSACM & TSFSC)
- Signature Command Remotes & Thermostats: RMSC, TSMSC, TSTSC, TSFSC, WT)
- Signature Command Accessories: A/C Accessory, Module and Command Center, Wall Mount Kits
- Conversion Kits: Natural Gas (CDV33CKNS), LP Gas (CDV33CKPS)
- Mesh Screen Glass Cover
- Designer Facings (Current BDV300 trim, fronts and filigree panels will fit the CDV. Doors and door frames do not.)



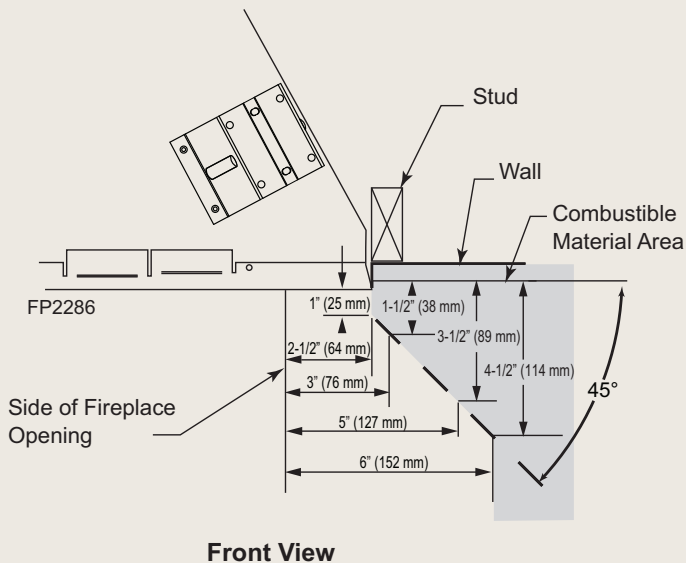
PRODUCT SPECIFICATIONS CDVT33SC7 Direct Vent

MANTEL CLEARANCES

NOTE: The combustible area above the facing must not protrude more than 3/4" (19 mm) from the facing. If it does, it is considered a mantel and must meet the mantel requirements listed here.



Side View



Front View

TECHNICAL SPECIFICATIONS

BTU Input: 18,000 Max., 13,000 Min. (Nat) / 18,000 Max., 13,000 Min. (LP)
 Ignition System: Signature Command System (AC w/ battery back up)
 Gas Type: Natural Gas or Liquid Propane
 Gas Line: 1/2" (12.7 mm) Flex line w/ shut off 1/2" (12.7 mm) FPT
 Flue Type: 4 x 7 Twist Lock, Flex Vent*
 Termination: Dedicated Top Vent
 Min. Height Top Venting Before Elbow: 0"
 Low Voltage Wall Switch Wire: 15' (4.5 m) wire with wall switch and cover
 Design Certified: CSA

CLEARANCE TO FLUE

Horizontal: 3" (26 mm) Top, 1" (25 mm) bottom and sides**
 Vertical: 1" (25 mm) on all sides

CLEARANCE TO COMBUSTIBLES

Fireplace: 0" clearance to stand offs all sides
 Floor of unit to Ceiling: 72" (1.83 m) to combustibles
 Firebox Opening to Wall: 6" (152 mm) to combustibles
 Hearth Requirement: 0" clearance

EFFICIENCY DATA

Thermal Efficiency: Up to 80% Nat / 80% LP
 AFUE Efficiency: 61.2% Nat / 66.3% LP
 P4 Canada Efficiency: 47.6% Nat / 55.4% LP

*Simpson Dura-Vent, Selkirk Metalbestos and Metafab are also approved for vent applications (requires adapter).

**When vertical rise is 7-1/2 feet (2.29 m) or higher from base of unit, the horizontal vent clearance to combustibles is 1" (25 mm) all sides.



A Brand of Monessen Hearth Systems Co.
 149 Cleveland Drive, Paris, Kentucky 40361

www.monessenhearth.com

