

**PRODUCT SPECIFICATIONS**  
**BLDVSC(7)500 Direct Vent**



**GLASS VIEWING AREA**

33"W x 25-13/16" H (858 Square Inches)

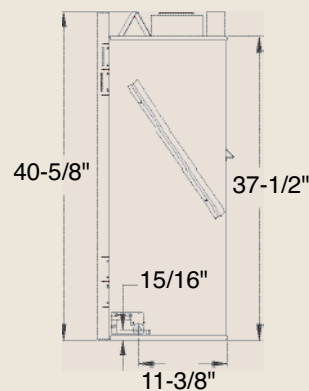
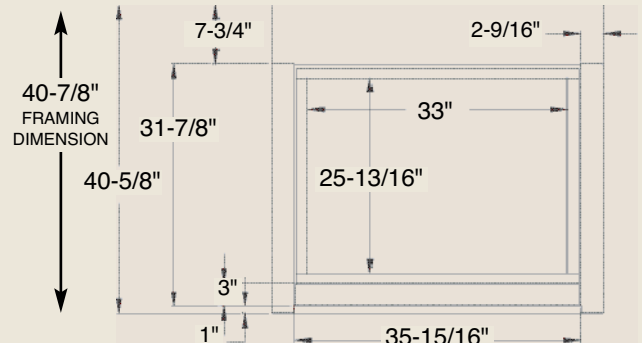
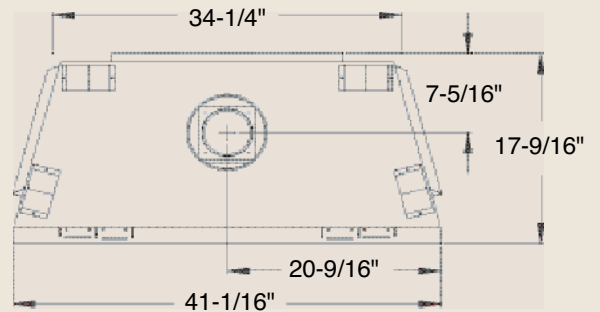
**TECHNICAL INFORMATION**

Max. Btu Input: 28,000 NG/27,000 LP BTU/HR  
 Ignition System: Signature Command™ System  
 Gas Type: Natural or LP  
 Flue Type: MHSC T-Lock Pipe  
 Termination: Top vent  
 Clearance to Flue for interior: 3" Top, 1" Bottom and Sides\*\*  
 Clearance to Flue for Outside Wall: 1"  
 Clearance to Fireplace: 1"  
 Minimum Vent Height Before Elbow: 12"  
 CSA Design Certified

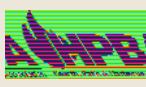
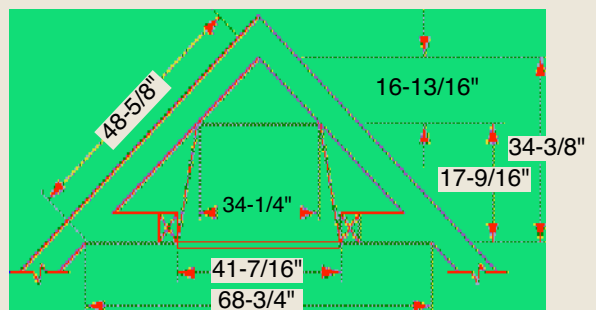
**FIELD INSTALLED ACCESSORIES**

Firebrick: Cottage Clay, Cottage Red or Vintage Brown  
 Control Variable Thermostat Controlled Dual Forced Air Blower (160 cfm) - BLOTBLDV  
 Signature Command™ Dual Forced Air Blower (160 cfm) - BLOTBLDVSC  
 Andirons  
 Mesh Glass Cover  
 Ambient Technologies™ Remote Controls and Thermostats  
 Contemporary Stone and Glass Kit (requires porcelain liner)  
 Porcelain Black Liner Kit

\*\* If vertical rise is 7-1/2 feet or higher when in top vent configuration only, the vent clearance to combustibles is 1" on all sides of the horizontal run.



**FRAMING DIMENSIONS**



A Brand of Monessen Hearth Systems Co.  
 149 Cleveland Drive, Paris, Kentucky 40361

[www.monessenhearth.com](http://www.monessenhearth.com)



To avoid personal injury or property damage, the product described by this brochure must be installed, operated and maintained in strict compliance with the instructions packaged with the product and all applicable building or fire codes. Contact local building or fire officials about restrictions and installation inspection requirements. All photographs and drawings on this brochure are for illustrative purposes only and are not intended for, nor should they be used as a substitute for the instructions packaged with the unit. Appearance and specifications of the product are subject to change without notice. © 2010 Monessen Hearth Systems Co.