

# WDVST500 SERENADE Direct Vent See-Thru Fireplace System



### GLASS VIEWING AREA

36-1/8" W x 13-3/4" H (495 sq.in.)

### TECHNICAL INFORMATION

Highly featured contemporary unit with compact design for ease of installation

Max. Btu Input: 27,500 BTU/HR

Ignition System: Total Signature Command System

Comes with RFSC hand-held remote

Gas Type: Natural or LP

Top venting only with 5" x 8" direct vent pipe (requires 12" rise before 90 degree elbow for horizontal runs)

18" flex line with On/Off shut-off valve included

Contemporary bronze glass beads and natural stone kit included

Ceramic glass door with quick latch system for easy access

Contemporary glass illumination light system

Black porcelain liner standard

CSA Design Certified

### FIELD INSTALLED ACCESSORIES

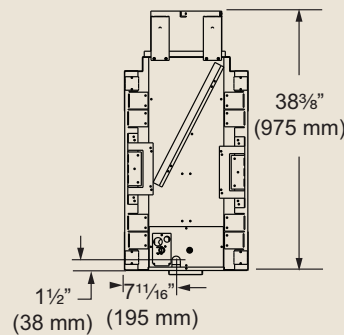
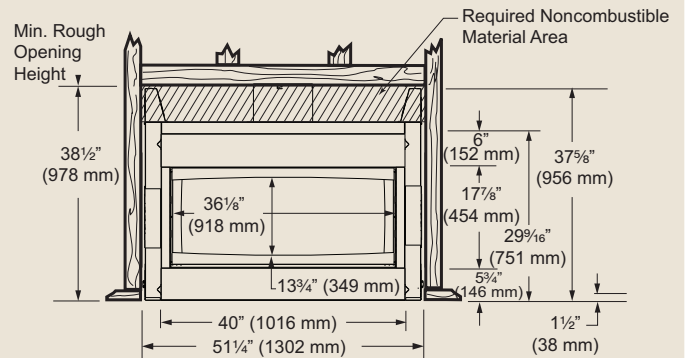
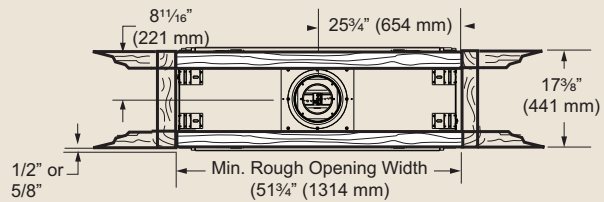
Trim Kits: Black Texture Inside Fit Trim Kit (WDV500TKB)

Signature Command System Forced Air Blower, 160 cfm. (BLOTBLDVSC)

Stone Studio Surround (W500SSM)

Stainless Steel Curved Face (WDV500FSS)

Outdoor Glass Framing Kit (WDV500SSDK)



A Brand of Monessen Hearth Systems Co.  
149 Cleveland Drive, Paris, Kentucky 40361

[www.monessenhearth.com](http://www.monessenhearth.com)

