



 **marquis**  
COLLECTION | by Kingsman



# S O L A C E

ZERO CLEARANCE DIRECT VENT GAS FIREPLACE

Unit Illustrated is the MQHBZDV4736N, Direct Vent Fireplace, with LOGF36 Fiber Split Oak Log Set, HB47CVCK Designer Clean View Circulating Kit, HB47RLH Herringbone Brick Liner.

## BRICK LINER OPTIONS



HERRINGBONE



HERRINGBONE RED



TRADITIONAL



CLASSIC  
(MQHBZDV3636 ONLY)

## WALL SURROUNDS

CONCAVE & CONVEX

BLACK

PEWTER



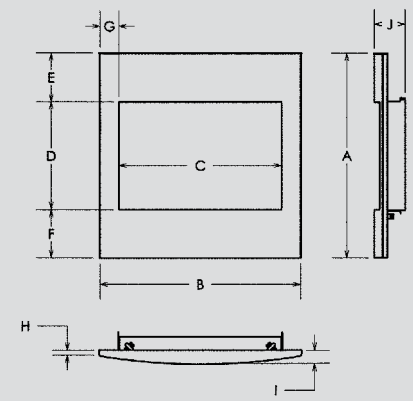
CONVEX SURROUND



# Find your **SOLACE**

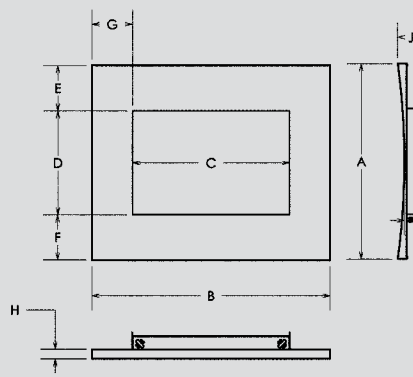
Imagine lively gatherings or times of quiet reflection in front of the beautiful Solace. Available in a range of sizes and an unprecedented array of custom options, the Solace allows you to transform your fireplace into something truly unique. Select a traditional or herringbone brick liner and choose a log or contemporary rock set to complete the look.

CONVEX



	HB36	HB42	HB47
A	41"	42 <sup>7</sup> / <sub>8</sub> "	48"
B	40 <sup>1</sup> / <sub>2</sub> "	44 <sup>1</sup> / <sub>2</sub> "	50 <sup>3</sup> / <sub>8</sub> "
C	32 <sup>3</sup> / <sub>8</sub> "	36 <sup>3</sup> / <sub>8</sub> "	42 <sup>3</sup> / <sub>8</sub> "
D	21 <sup>5</sup> / <sub>8</sub> "	23 <sup>3</sup> / <sub>4</sub> "	29 <sup>11</sup> / <sub>16</sub> "
E	9 <sup>1</sup> / <sub>2</sub> "	9 <sup>1</sup> / <sub>2</sub> "	9 <sup>1</sup> / <sub>2</sub> "
F	9 <sup>1</sup> / <sub>2</sub> "	9 <sup>1</sup> / <sub>2</sub> "	8 <sup>11</sup> / <sub>16</sub> "
G	4"	4"	4"
H	1 <sup>3</sup> / <sub>16</sub> "	1 <sup>3</sup> / <sub>16</sub> "	1 <sup>3</sup> / <sub>16</sub> "
I	2 <sup>13</sup> / <sub>16</sub> "	3 <sup>1</sup> / <sub>8</sub> "	3 <sup>11</sup> / <sub>16</sub> "
J	6 <sup>1</sup> / <sub>8</sub> "	6 <sup>3</sup> / <sub>8</sub> "	7 <sup>1</sup> / <sub>8</sub> "

CONCAVE



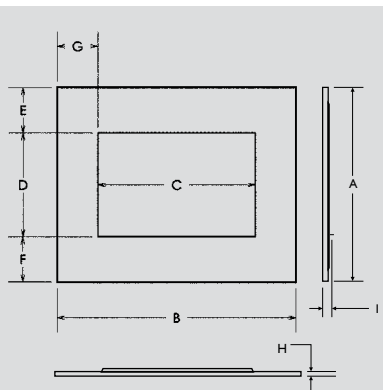
	HB36	HB42	HB47
A	40 <sup>1</sup> / <sub>2</sub> "	42 <sup>11</sup> / <sub>16</sub> "	48 <sup>11</sup> / <sub>16</sub> "
B	49 <sup>1</sup> / <sub>2</sub> "	55 <sup>3</sup> / <sub>8</sub> "	61 <sup>3</sup> / <sub>8</sub> "
C	32 <sup>1</sup> / <sub>2</sub> "	36 <sup>3</sup> / <sub>8</sub> "	42 <sup>3</sup> / <sub>8</sub> "
D	21 <sup>5</sup> / <sub>8</sub> "	23 <sup>11</sup> / <sub>16</sub> "	29 <sup>11</sup> / <sub>16</sub> "
E	9 <sup>1</sup> / <sub>2</sub> "	9 <sup>1</sup> / <sub>2</sub> "	9 <sup>1</sup> / <sub>2</sub> "
F	9 <sup>1</sup> / <sub>2</sub> "	9 <sup>1</sup> / <sub>2</sub> "	9 <sup>1</sup> / <sub>2</sub> "
G	8 <sup>1</sup> / <sub>2</sub> "	9 <sup>1</sup> / <sub>2</sub> "	9 <sup>1</sup> / <sub>2</sub> "
H	2"	2"	3"
I	1 <sup>1</sup> / <sub>2</sub> "	1 <sup>1</sup> / <sub>2</sub> "	1"
J	5 <sup>1</sup> / <sub>2</sub> "	5 <sup>1</sup> / <sub>2</sub> "	6 <sup>1</sup> / <sub>2</sub> "

Unit illustrated is a MQHBZDV4236N Direct Vent Fireplace with MQROCK2 Contemporary Rock Collection, MQRSP2 Rock Support Platform, HB42CVCK Designer Clean View Circulating Kit and MQHB42WSCCPW Marquis Wall Surround - Pewter.

Model	MQHBZDV3636N MQHBZDV4236N	MQHBZDV3636LP MQHBZDV4236LP	MQHBZDV4736N	MQHBZDV4736LP
Flue	top	top	top	top
Fuel	Natural	Propane	Natural	Propane
Input Max.	30,500 BTU	29,000 BTU	40,000 BTU	36,000 BTU
Input Min.	20,600 BTU	22,200 BTU	27,000 BTU	30,000 BTU
FE (P.4.1-02)	60.9%/56.8%	62.4%/56.8%	46.5%	42.5%

#### Corner Framing Dimensions (inches)

	LOUVERED			CLEAN VIEW CIRCULATING KIT (CVCK)		
	HB36	HB42	HB47	HB36	HB42	HB47
A	54 <sup>13</sup> / <sub>16</sub> "	58 <sup>13</sup> / <sub>16</sub> "	65 <sup>1</sup> / <sub>4</sub> "	59 <sup>7</sup> / <sub>8</sub> "	63 <sup>13</sup> / <sub>16</sub> "	70 <sup>3</sup> / <sub>16</sub> "
B	36 <sup>3</sup> / <sub>8</sub> "	42 <sup>3</sup> / <sub>8</sub> "	47 <sup>3</sup> / <sub>8</sub> "	38 <sup>7</sup> / <sub>16</sub> "	42 <sup>7</sup> / <sub>16</sub> "	48 <sup>3</sup> / <sub>8</sub> "
C	36"	41 <sup>7</sup> / <sub>8</sub> "	47 <sup>1</sup> / <sub>16</sub> "	38 <sup>1</sup> / <sub>16</sub> "	42 <sup>1</sup> / <sub>16</sub> "	48 <sup>1</sup> / <sub>16</sub> "
D	9 <sup>3</sup> / <sub>16</sub> "	8 <sup>1</sup> / <sub>4</sub> "	8 <sup>15</sup> / <sub>16</sub> "	10 <sup>11</sup> / <sub>16</sub> "	10 <sup>11</sup> / <sub>16</sub> "	10 <sup>7</sup> / <sub>8</sub> "
E	38 <sup>3</sup> / <sub>4</sub> "	41 <sup>5</sup> / <sub>8</sub> "	46 <sup>1</sup> / <sub>8</sub> "	42 <sup>5</sup> / <sub>16</sub> "	45 <sup>1</sup> / <sub>8</sub> "	49 <sup>5</sup> / <sub>8</sub> "
F	12 <sup>3</sup> / <sub>8</sub> "	13 <sup>3</sup> / <sub>4</sub> "	13 <sup>15</sup> / <sub>16</sub> "	12 <sup>3</sup> / <sub>8</sub> "	13 <sup>3</sup> / <sub>4</sub> "	13 <sup>15</sup> / <sub>16</sub> "
G	17 <sup>9</sup> / <sub>16</sub> "	19 <sup>1</sup> / <sub>2</sub> "	19 <sup>11</sup> / <sub>16</sub> "	17 <sup>9</sup> / <sub>16</sub> "	19 <sup>1</sup> / <sub>2</sub> "	19 <sup>11</sup> / <sub>16</sub> "
H	27 <sup>3</sup> / <sub>8</sub> "	29 <sup>7</sup> / <sub>16</sub> "	32 <sup>5</sup> / <sub>8</sub> "	29 <sup>15</sup> / <sub>16</sub> "	31 <sup>7</sup> / <sub>8</sub> "	35 <sup>1</sup> / <sub>16</sub> "

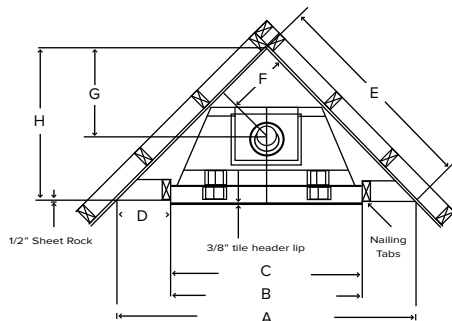


	HB36
A	40 <sup>1</sup> / <sub>2</sub> "
B	49 <sup>1</sup> / <sub>2</sub> "
C	32 <sup>1</sup> / <sub>2</sub> "
D	21 <sup>5</sup> / <sub>8</sub> "
E	9 <sup>1</sup> / <sub>2</sub> "
F	9 <sup>1</sup> / <sub>2</sub> "
G	8 <sup>1</sup> / <sub>2</sub> "
H	2"
I	1 <sup>1</sup> / <sub>2</sub> "
J	5 <sup>1</sup> / <sub>2</sub> "

Top Flue Model	Width	Height
HB36	29 <sup>3</sup> / <sub>4</sub> "	18 <sup>5</sup> / <sub>8</sub> "
HB42	33 <sup>3</sup> / <sub>8</sub> "	20 <sup>3</sup> / <sub>8</sub> "
HB47	39 <sup>1</sup> / <sub>2</sub> "	26 <sup>3</sup> / <sub>8</sub> "

#### VIEWING AREA

HB36	HB42	HB47
29 <sup>3</sup> / <sub>4</sub> "	33 <sup>3</sup> / <sub>8</sub> "	39 <sup>1</sup> / <sub>2</sub> "
18 <sup>5</sup> / <sub>8</sub> "	20 <sup>3</sup> / <sub>8</sub> "	26 <sup>3</sup> / <sub>8</sub> "



Top Flue Model	Height		Front Width		Depth	
	Actual	Framing	Actual	Framing	Actual	Framing

#### LOUVERS

HB36	34 <sup>13</sup> / <sub>16</sub> "	35"	36"	36 <sup>3</sup> / <sub>8</sub> "	16 <sup>7</sup> / <sub>16</sub> "	17"
HB42	37"	37 <sup>7</sup> / <sub>8</sub> "	41 <sup>7</sup> / <sub>8</sub> "	42 <sup>3</sup> / <sub>8</sub> "	16 <sup>7</sup> / <sub>16</sub> "	17"
HB47	43 <sup>1</sup> / <sub>16</sub> "	43 <sup>7</sup> / <sub>8</sub> "	47 <sup>1</sup> / <sub>16</sub> "	47 <sup>3</sup> / <sub>8</sub> "	19 <sup>7</sup> / <sub>16</sub> "	19 <sup>1</sup> / <sub>2</sub> "

#### CLEAN VIEW CIRCULATING KIT (CVCK)

HB36	34 <sup>11</sup> / <sub>16</sub> "	41"	38 <sup>1</sup> / <sub>16</sub> "	38 <sup>7</sup> / <sub>16</sub> "	18 <sup>7</sup> / <sub>8</sub> "	19 <sup>1</sup> / <sub>2</sub> "
HB42	36 <sup>13</sup> / <sub>16</sub> "	43"	42 <sup>1</sup> / <sub>16</sub> "	42 <sup>7</sup> / <sub>16</sub> "	18 <sup>15</sup> / <sub>16</sub> "	19 <sup>1</sup> / <sub>2</sub> "
HB47	49"	49 <sup>7</sup> / <sub>8</sub> "	48 <sup>3</sup> / <sub>16</sub> "	48 <sup>3</sup> / <sub>8</sub> "	21 <sup>15</sup> / <sub>16</sub> "	22"

## STANDARD FEATURES

- > Millivolt or IPI valve system allows operation during a power failure with Hi/low heat and flame adjustment
- > Dual burner with Realistic Flame Pattern

## OPTIONAL FEATURES

**Designer Clean View Circulating Kit** – No Louvers Required, Optional Pull Screens

**Wall Surrounds** – Convex, Concave or Flatt (HB36) with Black or Pewter finishes

**Louvers** – Grills available in Black, Classic Series Black with Polished Brass, Antique or Chrome Accents

**Overlay Doors** – Deluxe, Top Half

**Designer Doors** – Arch or Straight Black Doors

**Surrounds Wide (Louvered Units)** – Polished Brass, Antique or Chrome

**Coverage** – HB36 – 35<sup>1</sup>/<sub>2</sub>" h x 41<sup>1</sup>/<sub>8</sub>" w  
 HB42 – 37<sup>5</sup>/<sub>8</sub>" h x 45<sup>1</sup>/<sub>8</sub>" w  
 HB47 – 43<sup>5</sup>/<sub>8</sub>" h x 50<sup>1</sup>/<sub>8</sub>" w

**Surrounds Slim Line (Louvered Units)** – Gun Metal Black

**Coverage** – HB36 – 34<sup>1</sup>/<sub>4</sub>" h x 37<sup>1</sup>/<sub>2</sub>" w  
 HB42 – 37<sup>3</sup>/<sub>8</sub>" h x 43<sup>3</sup>/<sub>8</sub>" w  
 HB47 – 43<sup>3</sup>/<sub>8</sub>" h x 48<sup>3</sup>/<sub>8</sub>" w

**Fan Kit** – Heat activated with variable speed control

**Brick Refractory Liner** – Traditional, Herringbone or Classic (36" model only)

**Thermostat** – Wall Mount Millivolt Thermostat or Programmable Thermostat

**Remote Control** – On/Off, Thermostat On/Off or Thermostat with Flame Modulating and or Fan Control

**Child Safety Screen**

**Porcelain Reflective Liner**

**Log Set or Contemporary Rock Collection**





 **marquis**  
COLLECTION by Kingsman



Kingsman Fireplaces maintains a program of continuous testing refinement and improvements of all its products. Some aspect of units shown here may be changed at any time without notice or obligation.

Certification: The model MQHBZDV4736 are certified to:  
ANSI Z21.50b-2009, CSA 2.22b-2009, CGA 2.17-M91 Vented Gas Fireplace.  
The models MQHBZDV3636/4236 are certified to: ANSI Z21.88-2009,  
CSA 2.33-2009, CGA 2.17-M91 Vented Gas Fireplace Heater.

