

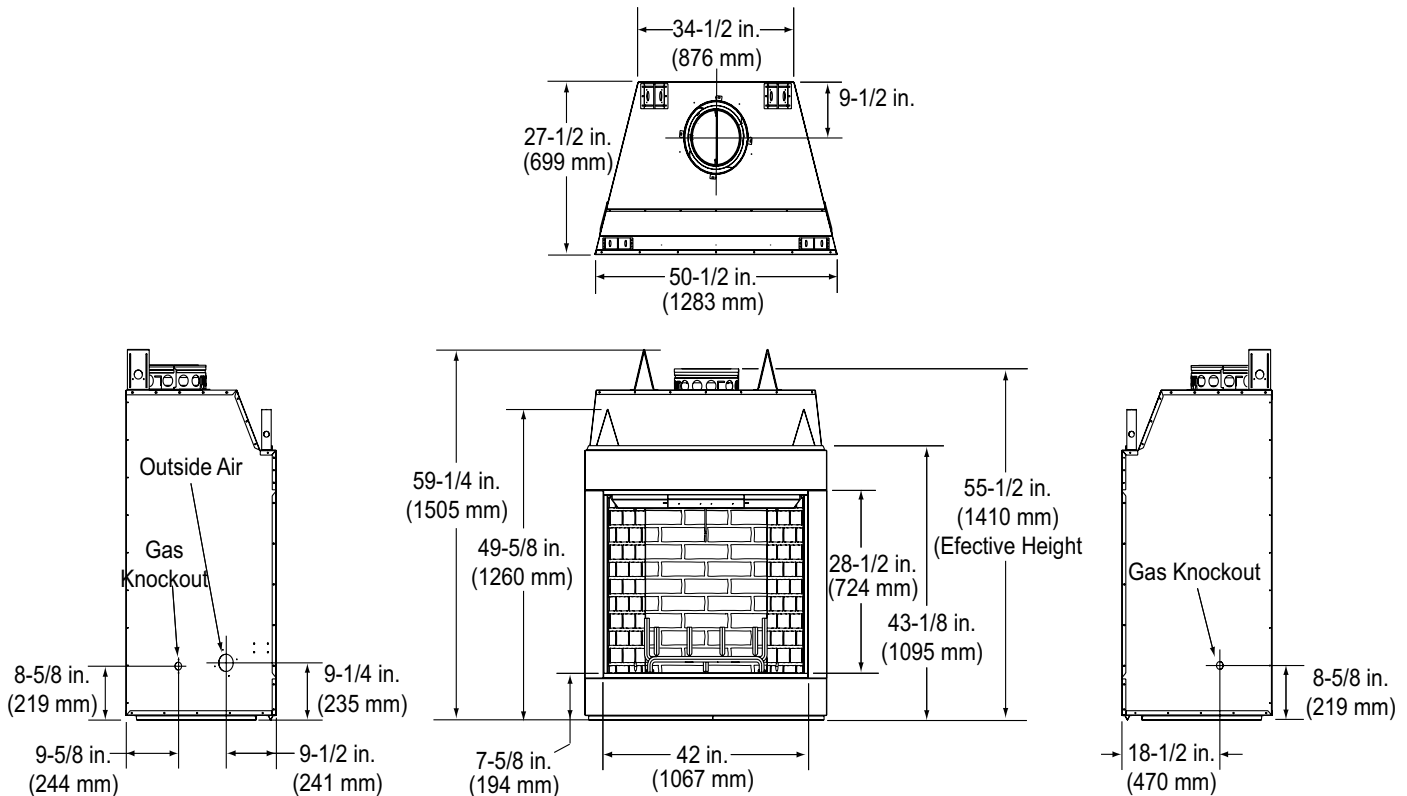


Please consult the manufacturer's installation manual for all details and requirements before making a final design layout decision.

Icon-I80

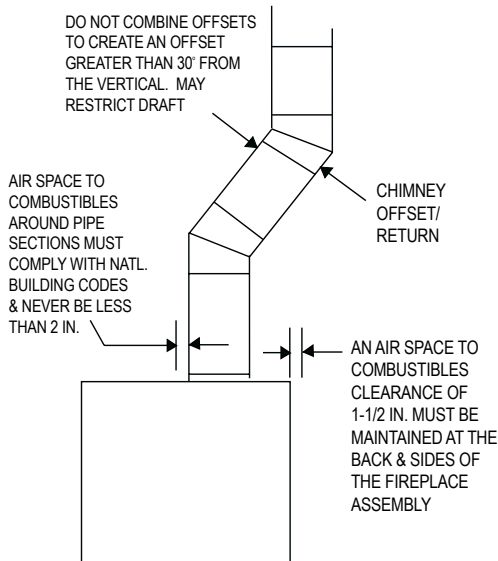
Woodburning Fireplace

MODEL	HEIGHT		FRONT WIDTH		BACK WIDTH		DEPTH		VIEWING AREA
	Actual	Framing	Actual	Framing	Actual	Framing	Actual	Framing	
I80	59-1/4	49-3/4	50-1/2	51-1/2	34-1/2	51-1/2	27-1/2	28-1/2	42 x 28-1/2



GUIDELINES FOR THE CHIMNEY DESIGN & CONSTRUCTION

WARNING!! Fire Risk.
Consult installation manual for installation clearances and details.

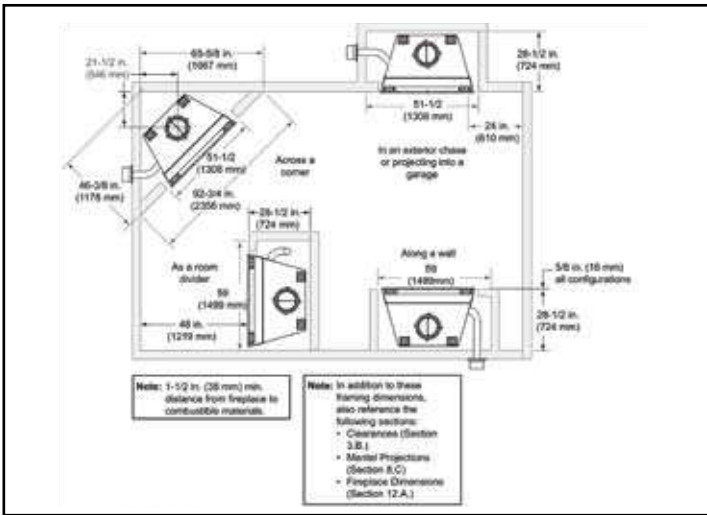


- Minimum total straight height = 18 ft. (5.5m).
- Minimum height with an offset/return combination = 18.5 ft. (5.6m).
- Maximum height = 90 ft. (27.4m).
- Maximum chimney length between an offset and return = 20 ft. (6.1m).
- Maximum distance between chimney stabilizers = 35 ft. (10.6m).
- Double offset/return minimum height = 24 ft. (7.3m).
- Never draw combustion air from a wall, floor, or ceiling cavity or from any enclosed space such as a garage.
- Maximum number of offset and return pairs is two.
- To reduce the effects of negative pressure, installation of an outside air kit is highly recommended.

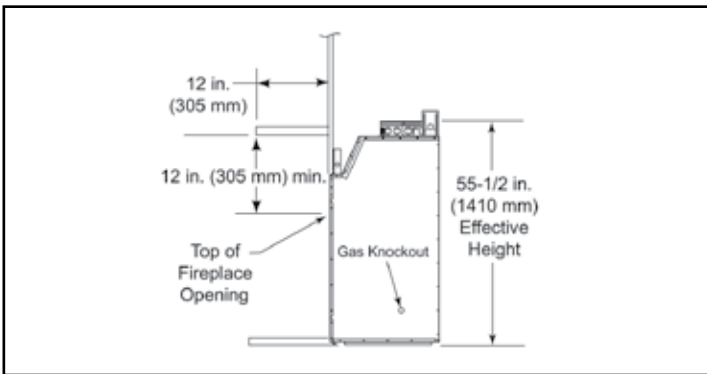
DISCLAIMER: This information is intended for reference only, and is subject to change without notice. Refer to www.fireplaces.com to view the installation manual for detailed information, or work with a fireplace dealer when planning and installing this unit.

www.fireplaces.com

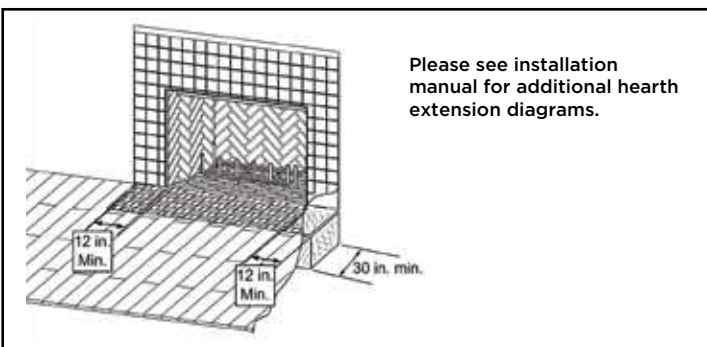
FIREPLACE LOCATIONS AND DIMENSIONS



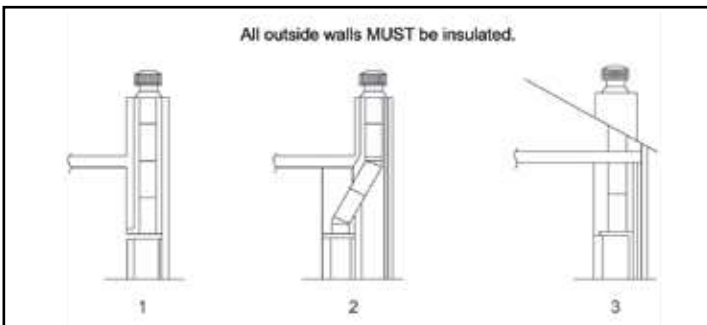
MANTEL PROJECTIONS



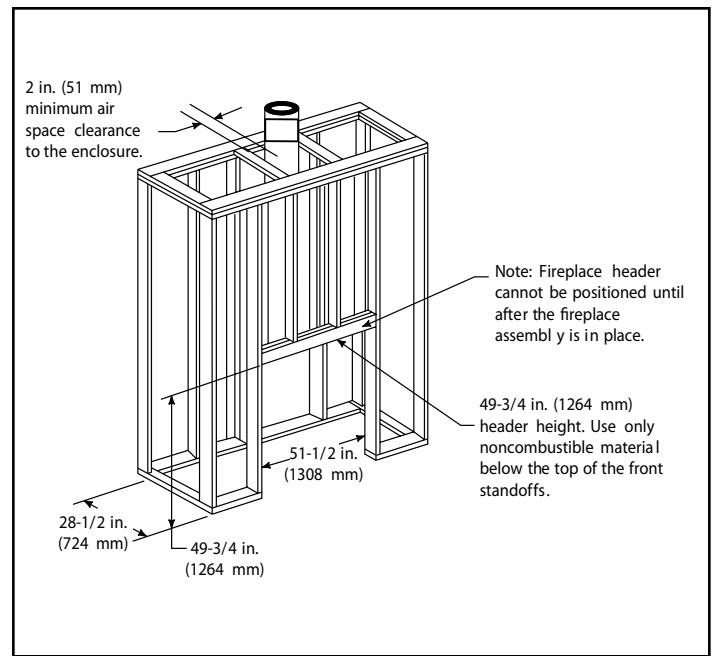
HEARTH EXTENSIONS



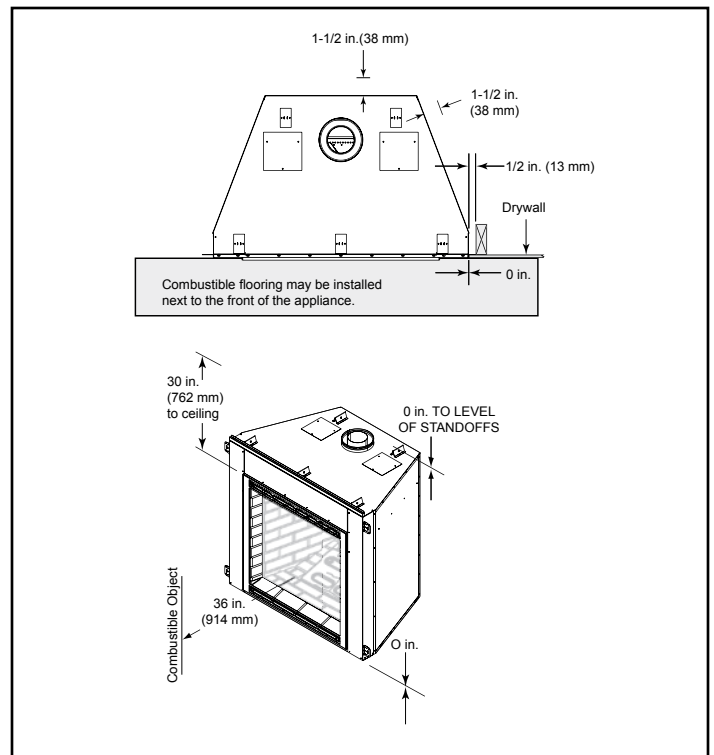
CHASE CONSTRUCTION



FRAMING



CLEARANCE TO COMBUSTIBLES



PRODUCT LISTING CODES

US & CAN UL 127



Product information provided is not complete and is subject to change without notice. Product installation must adhere strictly to instructions accompanying product to avoid risk of fire and potential injury.

Additional information can be found online at www.heatilator.com



A brand of Hearth & Home Technologies, Inc.
Lakeville, MN Phone: (800) 927-6841
Web: www.heatilator.com

