

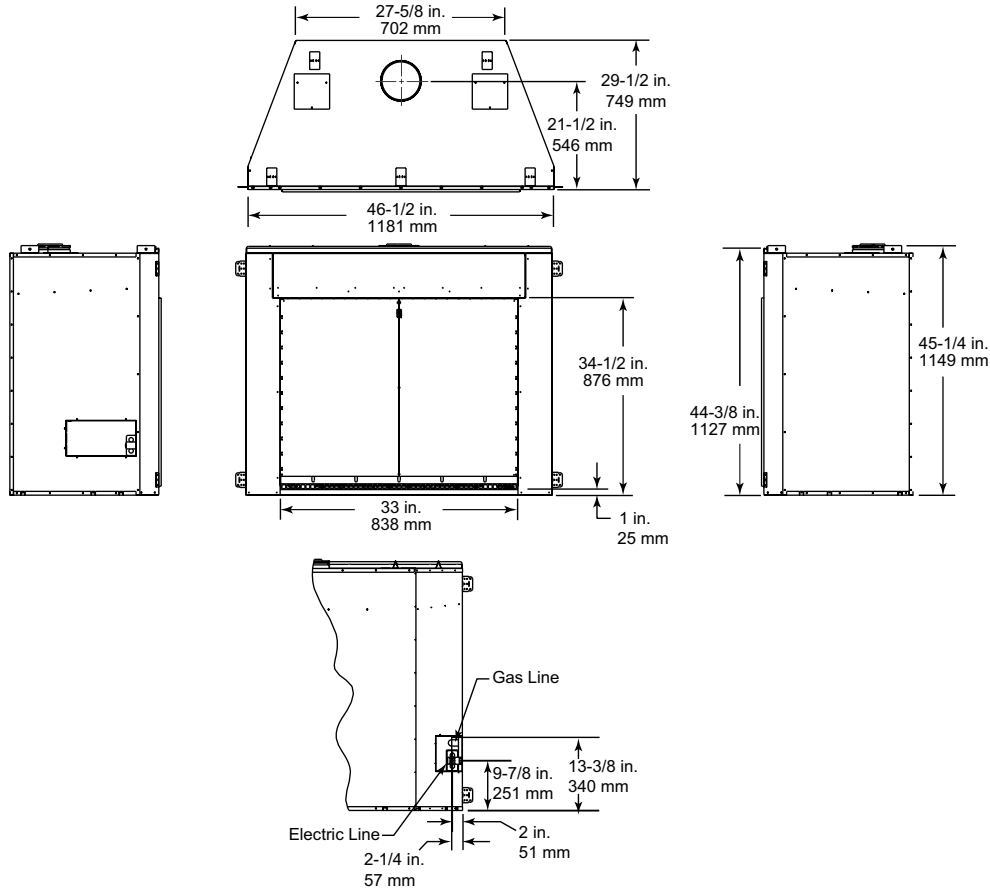


Please consult the manufacturer's installation manual for all details and requirements before making a final design layout decision.

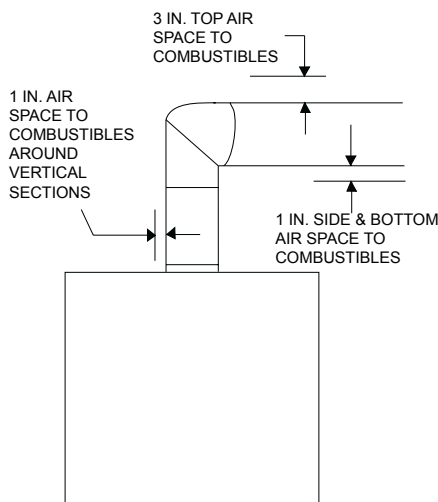
# IDV4833I

## Single-sided Gas Fireplace

MODEL	HEIGHT		FRONT WIDTH		BACK WIDTH		DEPTH		VIEWING AREA
	Actual	Framing	Actual	Framing	Actual	Framing	Actual	Framing	
IDV4833I	45-1/4	45-1/2	46-1/2	47-1/2	27-5/8	47-1/2	29-1/2	30-1/2	36 x 31-3/4

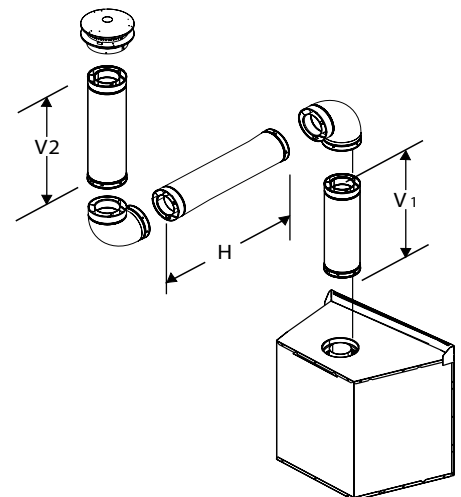


### GUIDELINES FOR VERTICAL VENTING WITH A TWO-ELBOW CONFIGURATION



**WARNING!!** Fire Risk.  
Consult installation manual for installation clearances and details.

- Maximum vertical vent = 60 feet from base of appliance to termination.
- Minimum vertical vent = 12 feet from base of appliance to termination
- Minimum (V1) = 1 ft.
- Maximum length of (H) vent pipe can equal 100% of total vertical (V1 + V2), but cannot exceed 26 ft. (7.9 m).
- Firestops (interior heat shields) are required on both sides of a combustible surface through which a vent passes.
- Maintain 1/2 in. (13 mm) minimum clearance to combustibles along the sides and back of the appliance.



DISCLAIMER: This information is intended for reference only, and is subject to change without notice. Refer to [www.fireplaces.com](http://www.fireplaces.com) to view the installation manual for detailed information, or work with a fireplace dealer when planning and installing this unit.