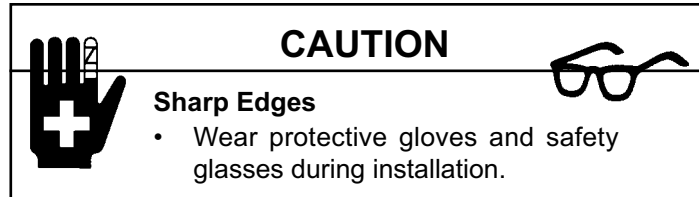


Installation Instructions

Models:
WSK-CON
Wall Switch Kit



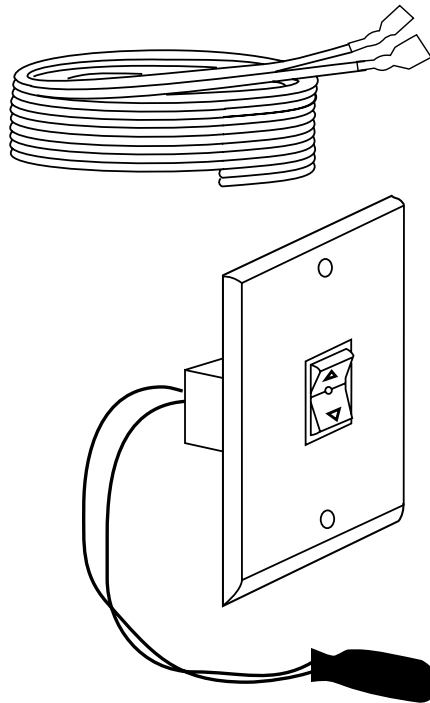
Note: If you cannot read or understand these installation instructions do not attempt to install or operate.

1. Mount the wall plate switch in a standard electric wall mounted switch box (plastic). Locate the switch box in an area close to the fireplace (above the reach of small children).
2. Run the two wires from the wall switch to the fireplace.

CAUTION: When running the wires into the fireplace DO NOT locate the wires over or in the burner pan!

Connect the wires to the terminals on the wall switch and to the matching terminals on the control valve.

3. Install one 9-volt alkaline battery to the battery connector prior to mounting switch cover to electrical box.



WSK-CON Components