

A multi-sided gas fireplace with a dark metal frame and glass doors, set within a decorative stone surround. The fireplace is lit, showing a fire burning on logs. The background shows a living room with a beige armchair and a large window.

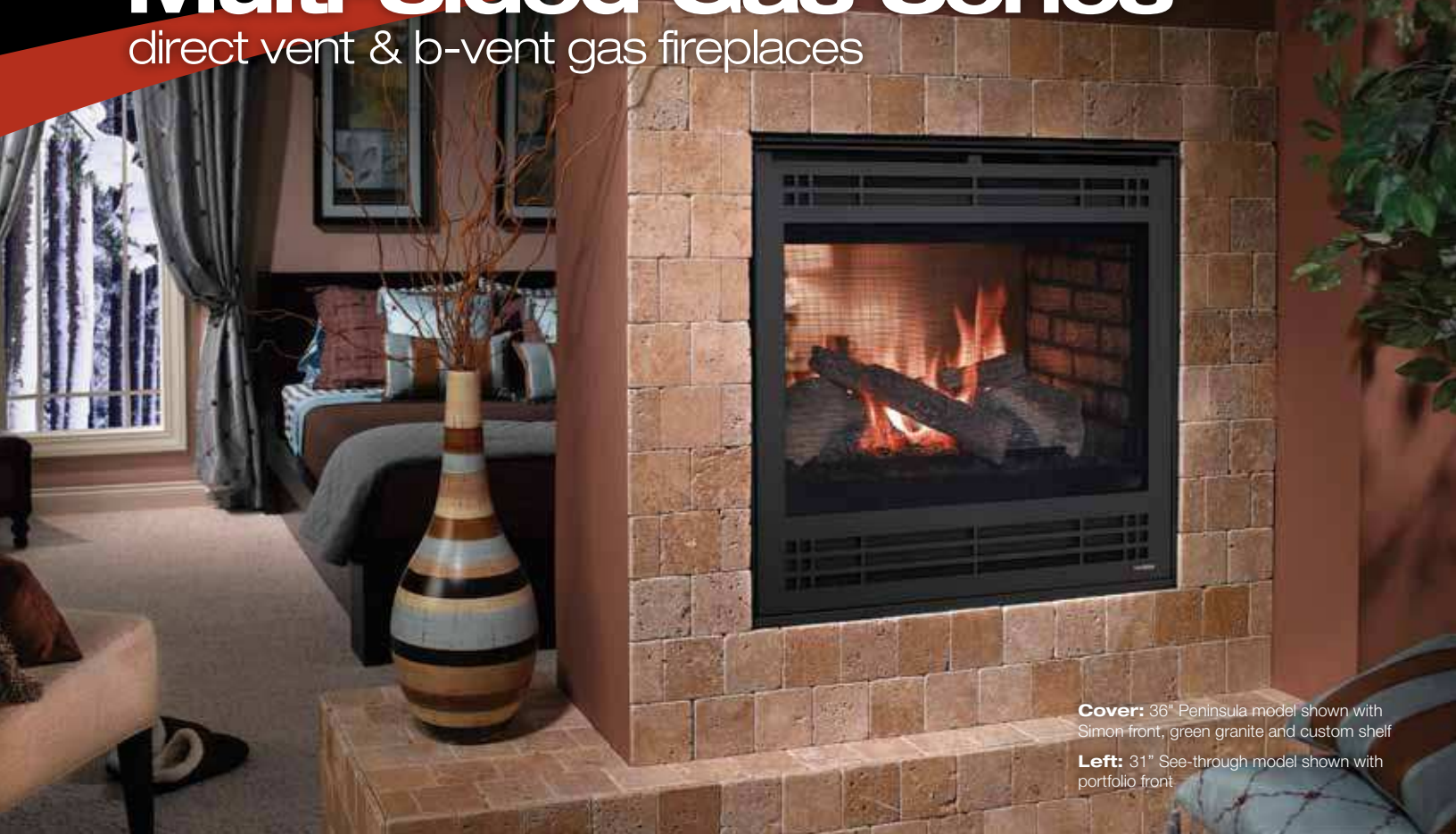
heatilator[®]
The first name in fireplaces

Multi-Sided Gas Series

direct vent & B-Vent fireplaces

Multi-Sided Gas Series

direct vent & b-vent gas fireplaces



Cover: 36" Peninsula model shown with Simon front, green granite and custom shelf

Left: 31" See-through model shown with portfolio front

A room with a view

The Heatilator gas multi-sided series offers unmistakable views of the fire. This series has something for everyone and every home, with a dramatic peninsula model offering three-sided viewing, a see-through model adding warmth and beauty to two separate rooms, or a corner model designed to light up tight spaces. Available in left-hand and right-hand models, these unique multi-sided units can be installed virtually anywhere. With unsurpassed dependability and exceptional value, the Heatilator gas multi-sided series allows you to enjoy the view.

- Clean, louverless design
- Choice of corner, peninsula and see-through configurations
- Available in direct vent or B-vent versions
- Extensive choice of decorative fronts, surrounds, granite and marble finishing materials
- Two-toned painted refractory
- Optional fan for direct vent models
- Modulating flame control with variable BTU/Hour Input and flame height: 27,000 to 36,000 BTU/Hour Input for 36" models; 14,700 to 21,000 BTU/Hour Input for 31" model
- Certified for installation in bedrooms; direct vent models also certified for mobile homes
- Heater listed to ANSI Z21.88 standards (Direct vent models)

IntelliFire[™]

Our exclusive, state-of-the-art, IntelliFire ignition system reduces gas consumption and thermogenerator wear by providing a pilot flame only when needed. It also supplies a back-up battery system to run the fireplace during a power outage.

To learn more about IntelliFire Technology, scan the code to the right with your smartphone, or visit heatilator.com.



Models Available



36" Corner model shown with Simon front and end panel and new venetian gold granite



36" Peninsula model shown with Simon front, green granite and custom shelf



36" See-through model shown with craftsman front and custom surround

CONFIGURATION	VIEWING WIDTH	VENTING SYSTEM
31" See-through	31"	Direct Vent
36" See-through	36"	Direct or B-Vent
36" Left or Right Corner	36"	Direct Vent
36" Peninsula	36"	Direct or B-Vent

Front* & Door Options



Portfolio Front - Available in black or bronze for the 31" See-Through model only



Simon Front - Available in black for all models



Craftsman Front - Available in black or bronze for the 36" models only



Phoenix Operable Doors - Available in black or bronze for the 36" models only

Finishes



Bronze



Black

Control Options

CONTROL	WALL SWITCH OR REMOTE CONTROL	ON/OFF	AUTO BATTERY BACKUP	BATTERY STRENGTH INDICATOR	FAN SPEED	FLAME CONTROL	FLAME MODULATION	PILOT ACTIVATION	AUX FUNCTION	TEMPERATURE READOUT	THERMOSTAT MODE	TIMER MODE
WSK200-HTL	Wall	•	•	•	•			•				
SMART-STAT-HTL	Remote	•								•	•	•
WSK-MLT-HTL*	Wall	•			•	•		•	•	•	•	

WSK200-HTL
Wall Switch



Smart-Stat-HTL
Remote Control



WSK-MLT-HTL**
Wall Switch



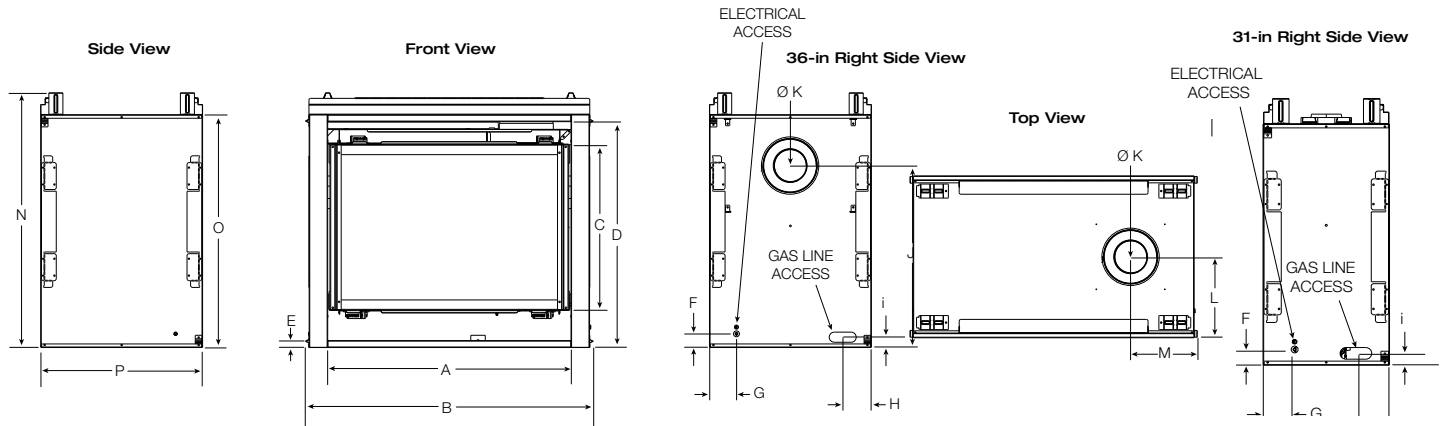
*All fronts come standard with safety mesh

**For use with 31" See-Through Only

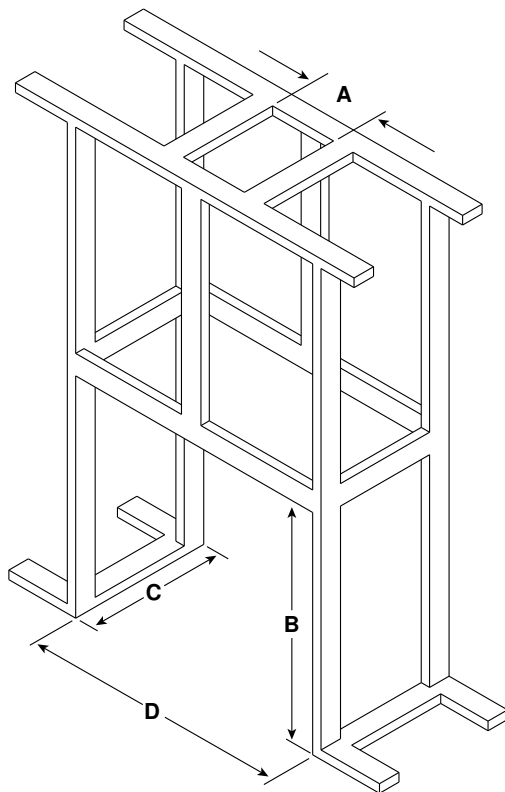
Technical Specifications

31" & 36" See-Through Direct Vent Models

MODEL	A	B	C	D	E	F	G	H
31"	31-1/8	37-5/8	21	30-1/4	1	2-1/8	4-1/8	4-1/4
36"	36	42-1/2	24-1/2	33-1/2	1	2-1/8	4-1/8	4-1/4
	I	J	K	L	M	N	O	P
31"	1-1/2	N/A	N/A	8	8-3/4	34-1/2	31-1/4	16
36"	1-1/2	27	8	12	9-1/2	38	34-5/8	24



36" & 31" See-Through Framing



MODEL	A			B	C*		D
	DVP Pipe Rough Opening (Width)	SL Pipe Rough Opening (Width)	B-Vent Rough Opening (Width)	Rough Opening (Height)	DVP Pipe Rough Opening (Depth)	B-Vent Rough Opening (Depth)	Rough Opening (Width)
GDST4336I	10	8-5/8	--	38-1/8	23	--	43
GBST4336I	--	--	7	38-1/8	--	23	43
GDST3831I	--	8-5/8	--	34-3/4	15	--	38-1/8

*Adjust framing dimensions for interior sheathing (such as sheetrock)

All dimensions in inches. The rough framing dimensions shown represent the distance from stud to stud only and do not take into consideration the addition of drywall. Please refer to installation instructions for complete specifications and drawings when installing this product. Visit www.heatilator.com to download.

U.S. Efficiencies

Steady State - Since most homeowners use their fireplaces for an extended time while they are in the room, Steady State measures how efficiently your fireplace converts fuel to heat once it is warmed up and running in a "steady state".

AFUE - AFUE rating is more typically used with appliances, like your furnace, that continually cycle on and off to maintain a constant temperature.

RATING	GDST4336I	GBST4336I	GDST3831I
Steady State	72%	N/A	74%
AFUE	53%	N/A	47%

Canada Efficiencies

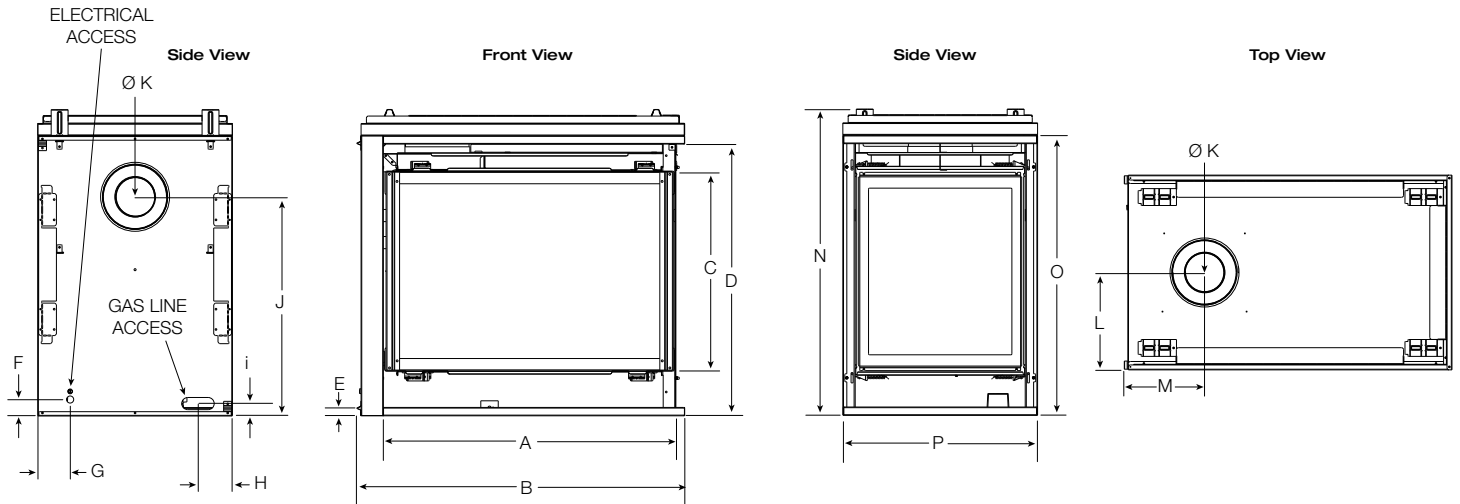
EnerGuide (CSA P.4.1-02) - EnerGuide is a rating used in Canada to measure annual fireplace efficiency.

RATING	GDST4336I	GBST4336I	GDST3831I
EnerGuide (CSA P.4.1-02)	59%	N/A	51%

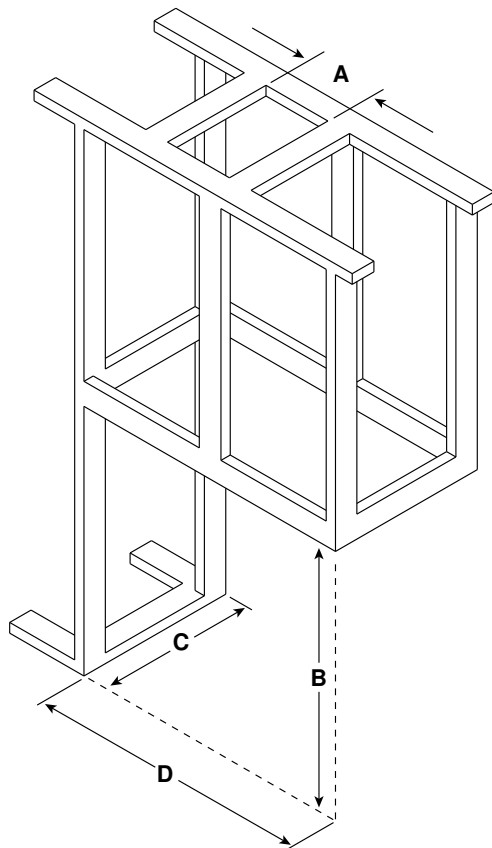
Technical Specifications

36" Peninsula Direct Vent Models

MODEL	A	B	C	D	E	F	G	H	I	J	K	L	M	N	O	P
36"	36	40-1/2	24-1/2	33-1/2	1	2-1/8	4-1/8	4-1/4	1-1/2	27	8	12	9-1/2	38	34-5/8	24



36" Peninsula Framing



MODEL	A			B	C*		D
	DVP Pipe	SL Pipe	B-Vent	Rough Opening (Height)	DVP Pipe	B-Vent	Rough Opening (Width)
	Rough Opening (Width)	Rough Opening (Width)	Rough Opening (Width)		Rough Opening (Depth)	Rough Opening (Depth)	
GDFL4136I	10	8-5/8	--	38-1/8	23	--	40
GBFL4136I	--	--	**	38-1/8	--	23	40

* Adjust framing dimensions for interior sheathing (such as sheetrock)
 **See pipe manufacturer's installation instructions

The rough framing dimensions shown represent the distance from stud to stud only and do not take into consideration the addition of drywall. Please refer to installation instructions for complete specifications and drawings when installing this product. Visit www.heatilator.com to download.

U.S. Efficiencies

Steady State - Since most homeowners use their fireplaces for an extended time while they are in the room, Steady State measures how efficiently your fireplace converts fuel to heat once it is warmed up and running in a "steady state".

AFUE - AFUE rating is more typically used with appliances, like your furnace, that continually cycle on and off to maintain a constant temperature.

RATING	GDFL4136I	GBFL4136I
Steady State	75%	N/A
AFUE	68%	N/A

Canada Efficiencies

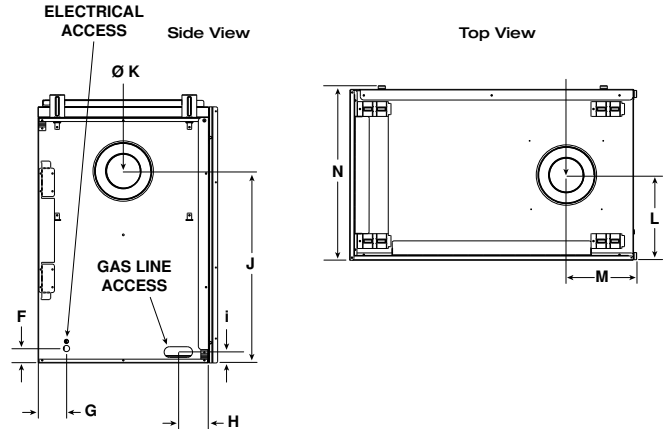
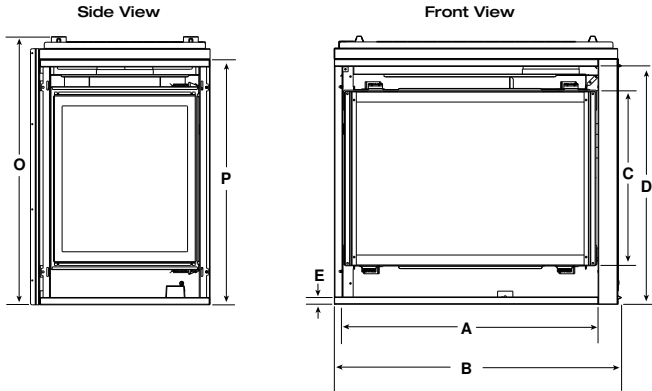
EnerGuide (CSA P.4.1-02) - EnerGuide is a rating used in Canada to measure annual fireplace efficiency.

RATING	GDST4336I	GBST4336I
EnerGuide (CSA P.4.1-02)	63%	N/A

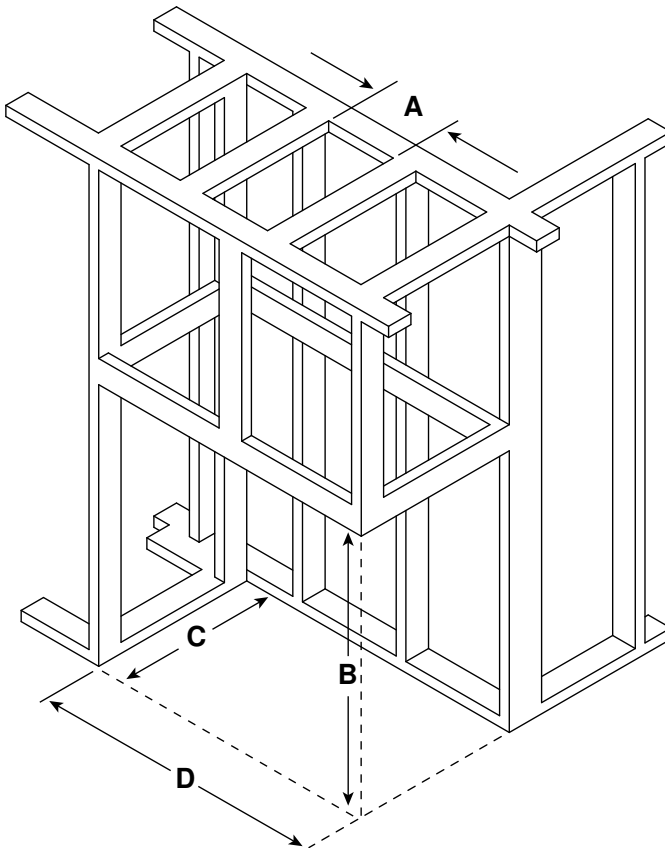
Technical Specifications

36" Corner Direct Vent Models

MODEL	A	B	C	D	E	F	G	H	I	J	K	L	M	N	O	P
36"	36	40-1/2	24-1/8	33-1/2	1	2-1/8	4-1/8	4-1/4	1-1/2	27	8	12	9-3/8	24-1/2	38	34-5/8



36" Corner Framing



MODEL	A		B	C*	D
	DVP Pipe Rough Opening (Width)	SL Pipe Rough Opening (Width)	Rough Opening (Height)	DVP Pipe Rough Opening (Depth)	Rough Opening (Width)
GDCL/CR4136I	10	8-5/8	38-1/8	24	40

*Adjust framing dimensions for interior sheathing (such as sheetrock)

The rough framing dimensions shown represent the distance from stud to stud only and do not take into consideration the addition of drywall. Please refer to installation instructions for complete specifications and drawings when installing this product. Visit www.heatilator.com to download.

U.S. Efficiencies

Steady State - Since most homeowners use their fireplaces for an extended time while they are in the room, Steady State measures how efficiently your fireplace converts fuel to heat once it is warmed up and running in a "steady state".

AFUE - AFUE rating is more typically used with appliances, like your furnace, that continually cycle on and off to maintain a constant temperature.

RATING	GDCL/CR4136I
Steady State	72%
AFUE	59%

Canada Efficiencies

EnerGuide (CSA P.4.1-02) - EnerGuide is a rating used in Canada to measure annual fireplace efficiency.

RATING	GDCL/CR4136I
EnerGuide (CSA P.4.1-02)	61%

Direct Vent Technology

Direct Vent fireplaces remove 100% of combustion exhaust and odors outside of the home. These sealed fireplaces provide optimal heat, conserve energy and ensure clean, safe indoor air quality.

To learn more about Direct Vent Technology, scan the code to the right with your smartphone, or visit heatilator.com.



Who Would Benefit From Heatilator Multi-Sided Gas Fireplaces?

Home Owners:

- Who want their fireplace to provide a dramatic design statement in their home
- Who need a functional room divider to define living areas in their home
- Who want to preserve positive indoor air quality for their family (DV models)
- Who want warmth without waste through energy efficient zone heating (DV models with IntelliFire)
- Who want to increase the resale value of their home

Home Builders:

- Who want a dramatic focal point to make their home design more appealing to homebuyers
- Who need a functional room divider in key design areas such as the owner's suite, or separating living and dining spaces
- Who want to provide their customers with fireplaces approved by all major Green building programs (DV models)
- Who want to increase the energy efficiency performance of their homes (DV models with IntelliFire)
- Who want to increase their customer's satisfaction with multiple finish styles and colors

Available From

heatilator
The first name in fireplaces

a brand of
Hearth & Home Technologies®

1915 West Saunders Street
Mt. Pleasant, Iowa 52641
800-927-6841 | heatilator.com

facebook.com/Heatilator

twitter.com/Heatilator

youtube.com/HeatilatorFireplaces

HTL-1057U-0513

Limited Lifetime Warranty*

The strongest in the industry, Heatilator provides a limited lifetime warranty on gas-burning products of the most important aspects: firebox and heat exchanger.

*For full warranty details go to heatilator.com.

The information provided in this literature is for planning purposes only and subject to change. Please consult the installation manual for actual installation. Actual product appearance may differ from product images.

Fireplace glass and other surfaces get extremely HOT and can cause severe burns if touched. Do not remove the protective safety screen from the front of the glass. Keep a safe distance away. To learn more visit www.heatilator.com/fireplacesafety

