

Giant®

PROUDLY CANADIAN 

RESIDENTIAL POWER VENT GAS WATER HEATERS

PV1 HIGH PERFORMANCE (FVIR)

Available in 40, 50 and 60 gallon capacities

Warranty
8 years
On the inner tank*
6 years
On component parts**

UG50-65

All other models



TAKE A *Giant*®
STEP FORWARD,
HELP STOP
THE GREENHOUSE
EFFECT

 **GREENFOAM®** 

Eco-friendly foam
insulation unique to Giant
No HCFC's
No CFC's
No VOC's



**THE OZONE LAYER
IS IMPORTANT
FOR ALL OF US**



AHRI
MEMBER



The following outstanding technical features are why Giant water heaters are “BUILT TO LAST LONGER”.

1- SILICON NITRIDE IGNITOR

Improves efficiency by eliminating the energy used by a standing pilot. The operating life of the ignitor is extended using the gas control's Intelli-Ignition™ technology.

2- HIGH EFFICIENCY BURNER

Environmentally friendly. More efficient combustion resulting in a reduction of air pollution.

3- SIGHT GLASS

Provides easy viewing into the combustion chamber to verify the operation of the ignitor and the burner.

4- HIGH LIMIT TEMPERATURE CUT-OFF SWITCH

In the event of an over-temperature condition, the thermostat will disengage the power from the system.

5- INTELLI-VENT™ GAS CONTROL VALVE

A state-of-the-art tamper resistant and self-diagnosing electronic gas control valve is installed for more precise water temperature control and easy troubleshooting.

6- ROLL-AROUND BASE

Provides easy handling for installer without damaging the floor during installation.

7- FLAMMABLE VAPOUR SENSOR

Detects the presence of flammable vapours and shuts down the water heater.

8- BLADE-TYPE BAFFLE*

Provides a higher efficiency than regular baffles for PV1 models.

9- GLASS-LINED INNER TANK

A uniquely formulated blue cobalt glass enriched with zircon is fused to specially treated steel at 1,600°F (871°C) to provide the best coating available against corrosion for many years. The tank is certified at a test pressure of 300 PSI (2,068 kPa) and a working pressure of 150 PSI (1,034 kPa).

10- HIGH QUALITY MAGNESIUM ANODE

Provides excellent protection against the corrosive effects of water and extends tank life.

11- 3/4" NPT-F SIDE TAPPINGS

For combination heating applications (available on UG50-65 model).

12- FACTORY INSTALLED 3/4" NPT DI-ELECTRIC NIPPLES

Extend the life of the water heater by providing excellent corrosion protection.

13- NEW QUIETER BLOWER*

No chimney required, simply vent through the roof or an exterior wall. For ease of installation, the power venter is equipped with a ten-foot (3 m) electrical cord. In the event of an over-temperature condition, the thermostat will disengage the power from the system.

14- FACTORY INSTALLED T&P RELIEF VALVE

Protects the tank from the damaging effects of excessive temperature and pressure.

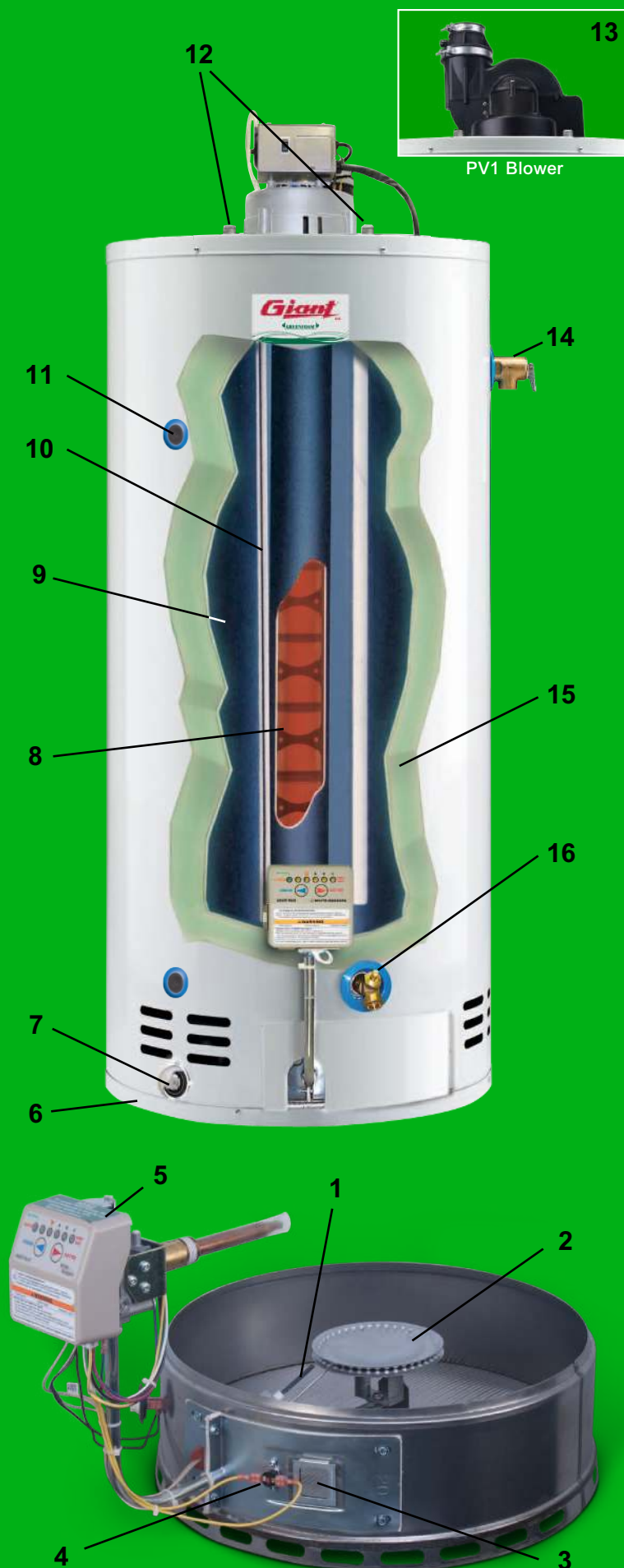
15- INSULATION

A thick uniform blanket of **GREENFOAM** eco-friendly insulation keeps the water hotter for longer periods, reduces stand-by losses and energy costs. **GREENFOAM** contains no HCFC's (hydrochlorofluorocarbons), CFC's (chlorofluorocarbons) nor VOC's (volatile organic compounds).

16- DRAIN VALVE

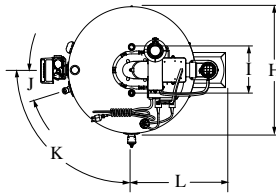
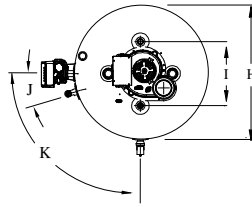
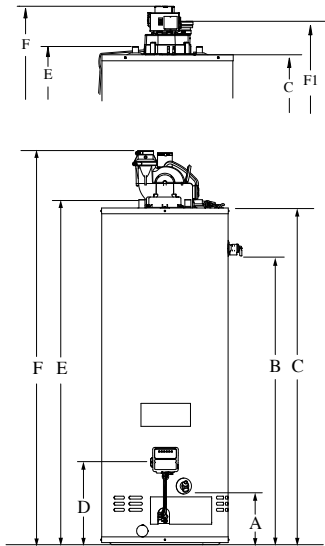
A high quality and tamper resistant one-piece brass drain valve is installed for easy drainage.

* Except for UG50-65 models



HIGH ENERGY EFFICIENCY RESIDENTIAL POWER VENT GAS WATER HEATERS

FVIR TECHNOLOGY: All residential gas-fired water heaters built with FVIR technology meet the North American Standards ANSI Z21.10.1/CSA 4.1. They are specially designed to prevent the ignition of flammable vapours that may be present nearby the water heater, such as: paint(s), lacquer thinners, aerosol sprays, cleaning solvents and gasoline.



UG50-65 Model

Maximum equivalent length	
3 inch vent	50 feet (15.24 m)

PV1 Model

Maximum equivalent length	
2 inch vent	50 feet (15.24 m)
3 inch vent	140 feet (42.7 m)

SPECIFICATIONS

Models	Storage capacity			Input BTU	Recovery 90°F / 50°C			E.F. Number	Vent dia. inches (cm)	Estimated shipping weight	
	US gal.	L	Imp. gal.		US gal.	L	Imp. gal.			lb	kg
Natural Gas											
UG40-40LFPV1-N1U	40	151	33	40,000	41.5	157.0	34.5	0.63	2-3 (5-7.6)	147	67
UG40-40LFPV1-N2U	40	151	33	40,000	42.0	159.0	35.0	0.67	2-3 (5-7.6)	148	67
UG50-40LFPV1-N1U	50	189	42	40,000	41.5	157.0	34.5	0.62	2-3 (5-7.6)	166	75
UG50-40LFPV1-N2U	50	189	42	40,000	42.0	159.0	35.0	0.67	2-3 (5-7.6)	167	76
UG60-40MFPV1-N2U	60	227	50	40,000	42.0	159.0	35.0	0.67	2-3 (5-7.6)	205	93
UG50-65LFPV-N1U	50	189	42	65,000	67.4	255.0	56.1	0.59	3 (7.6)	190	86
Propane Gas											
UG40-38LFPV1-P1U	40	151	33	38,000	40.4	153.1	33.7	0.64	2-3 (5-7.6)	147	67
UG40-38LFPV1-P2U	40	151	33	38,000	40.4	153.1	33.7	0.67	2-3 (5-7.6)	148	67
UG50-38LFPV1-P1U	50	189	42	38,000	40.4	153.1	33.7	0.63	2-3 (5-7.6)	166	75
UG50-38LFPV1-P2U	50	189	42	38,000	40.9	155.0	34.1	0.67	2-3 (5-7.6)	167	76
UG60-38MFPV1-P2U	60	227	50	38,000	40.9	155.0	34.1	0.67	2-3 (5-7.6)	205	93
UG50-65LFPV-P1U	50	189	42	65,000	68.3	258.0	56.9	0.60	3 (7.6)	190	86

DIMENSIONS inches (cm)

Models	A	B	C	D	E	F	F1	H (-*2U)	H (-*1U)	I	J	K
All UG40	7 1/8 (18)	40 (102)	48 3/8 (123)	12 (31)	49 3/4 (127)	58 1/2 (149)	-	22 (56)	20 1/2 (52)	8 (20)	17.4°	90.0°
All UG50	7 1/8 (18)	40 (102)	48 3/8 (123)	12 (31)	49 5/8 (126)	58 1/2 (149)	-	23 1/2 (60)	22 1/2 (57)	8 (20)	15.6°	90.0°
All UG60	7 1/8 (18)	48 (122)	56 1/2 (144)	12 (31)	57 7/8 (147)	66 5/8 (169)	-	23 1/2 (60)	-	8 (20)	15.6°	90.0°
All UG50-65	7 1/8 (18)	40 1/16 (102)	51 1/4 (130)	12 (31)	52 3/4 (134)	59 1/2 (151)	57 (145)	-	22 1/2 (57)	11 (28)	15.6°	90.0°

All models are suitable for potable water and space heating applications. Toxic chemicals, such as those used for boiler treatment, must NEVER be introduced into this system. This unit must NEVER be connected to any existing heating system or component(s) previously used with a non-potable water heating appliance.

All models are certified for applications up to 5,000 feet above sea level with the exception of the UG50-65 that is derated by 10% for high altitude.



40 Lesage Avenue
Montréal-East (Québec) H1B 5H3
CANADA
Telephone: (514) 645-8893
Toll free: 1 (800) 363-9354
General fax: (514) 640-0969
Customer Service fax: (514) 645-8413

giantinc.com

In accordance with our company policy of on-going product improvement, Giant Factories Inc. reserves the right to make changes without prior notice.

WARRANTY

Giant residential power vent gas water heaters have an EIGHT (8)* year limited warranty against inner tank leakage from the date of installation. SIX (6)* year limited warranty on component parts. For more specific warranty details including exceptions, consult the owner's manual provided with each water heater.

*When installed by a professional.