



ENERGY STAR® QUALIFIED

Power Vent Water Heaters

GSW ENERGY STAR® Power Vent gas water heaters have been engineered to provide the highest energy efficiency ratings for a water heater of its kind in the market today. The reliable and trouble-free operation of the GSW Power Vent will provide hot water and peace of mind for years to come.

HIGH QUALITY FEATURES

- ENERGY STAR qualified models, including the only 75 USG ENERGY STAR model available in the market today
- Up to 0.70 Energy Factor
- Exceeds NRCan energy efficiency standards
- Ideal as a replacement water heater in a variety of applications due the 3-position rotatable blower
- Available for Natural Gas or Propane
- Exclusive TankSaver® design to prolong tank life
- Convenient 3/4" side taps for combination applications on 50 USG high-input and 75 USG models
- Suitable for elevations up to 10,100 ft.
- Sensor detects the presence of flammable vapours and automatically disables the unit preventing their ignition
- Robust air intake snorkel inhibits flammable vapours from entering the combustion chamber
- State-of-the-art electronic gas control features advanced self-diagnostic capability that makes troubleshooting easy
- Conveniently located T&P and drain valve for ease of installation, serviceability and maintenance
- Can be vented with 2", 3" or 4" ULC s636 PVC or CPVC or polypropylene pipe up to 180 equivalent feet





ENERGY STAR® QUALIFIED

Power Vent Water Heaters

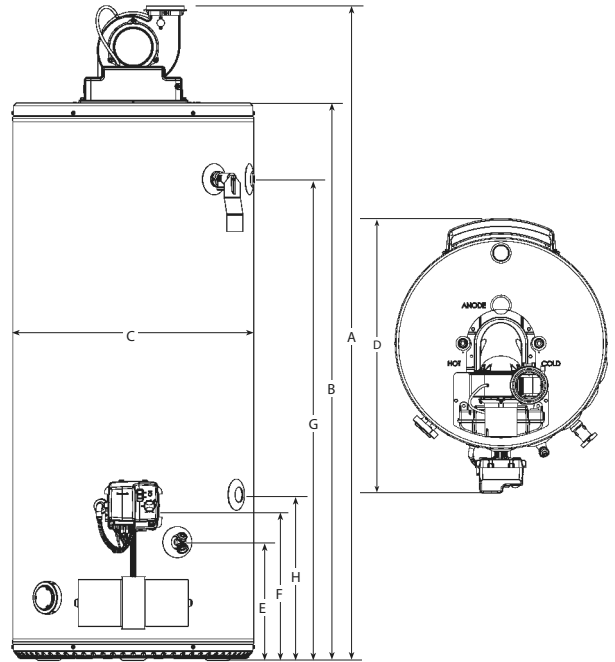
PERFORMANCE

Tank Warranty	Model	Capacity	Maximum Certified Altitude	Input	Recovery Rate at 100°F/55°C Temp. Rise	First Hour Rating	Energy Factor
Years**		USG (L)	ft (m)	BTU/hr	GPH (LPH)	USG (L)	
NATURAL GAS							
6	G640S40N-PV-ES2	40 (151)	10,100 (3,079)	40,000	40 (151)	73 (276)	0.70
6	G640T50N-PV-ES2	40 (151)	10,100 (3,079)	50,000	50 (188)	90 (341)	0.70
6	G650S40N-PV-ES2	50 (189)	10,100 (3,079)	40,000	40 (151)	90 (341)	0.70
6	G650T50N-PV-ES2	50 (189)	10,100 (3,079)	50,000	50 (188)	96 (363)	0.70
6	G650S62N-PV-ES2*	50 (189)	10,100 (3,079)	62,000	62 (233)	110 (416)	0.70
6	G660S42N-PV-ES2	60 (227)	10,100 (3,079)	42,000	42 (159)	106 (401)	0.70
6	G675T72N-PV-ES2*	75 (284)	10,100 (3,079)	72,000	72 (264)	155 (587)	0.68

Propane Models Sub N with P.

* Model has side connections

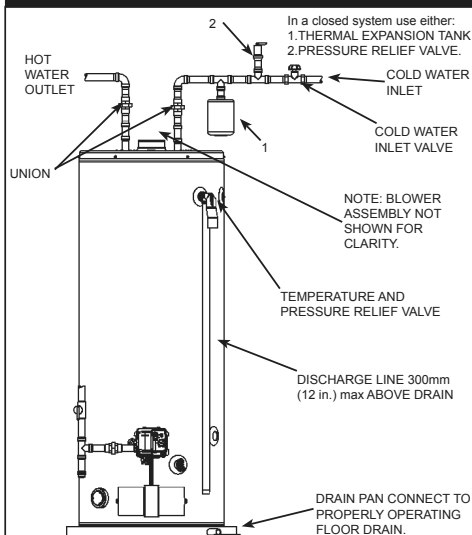
**In Residential applications. Reduced warranty in Commercial applications. Parts warranted for 1 year.



DIMENSIONS & SHIPPING WEIGHT

Model	Installation Height	Height to Top of Tank	Tank Diameter	Overall Depth	Height to Drain Valve	Height to Gas Inlet	Height to T&P and Upper Side Connection (where applicable)	Height to Lower Side Connection (where applicable)	Approx. Shipping Weight
	A in (cm)	B in (cm)	C in (cm)	D in (cm)	E in (cm)	F in (cm)	G in (cm)	H in (cm)	lb (kg)
G640S40N-PV-ES2	59 (150)	49 3/8 (126)	22 (56)	29 1/8 (74)	11 (28)	14 1/4 (36)	42 1/2 (108)	n/a	174 (79)
G640T50N-PV-ES2	68 1/2 (174)	59 1/4 (150)	20 (51)	27 1/8 (69)	11 (28)	14 1/4 (36)	53 3/8 (135)	15 1/4 (39)	176 (80)
G650S40N-PV-ES2	60 3/8 (153)	50 3/4 (129)	24 (61)	31 1/8 (79)	11 (28)	14 1/4 (36)	43 3/4 (111)	n/a	198 (90)
G650T50N-PV-ES2	68 3/8 (173)	58 3/4 (149)	22 (56)	29 1/8 (74)	11 (28)	14 1/4 (36)	51 3/4 (131)	15 1/4 (39)	192 (87)
G650S62N-PV-ES2*	61 1/8 (155)	52 (132)	24 (61)	31 1/8 (79)	11 (28)	14 1/4 (36)	44 1/2 (113)	15 1/4 (39)	212 (96)
G660S42N-PV-ES2	67 1/4 (171)	57 7/8 (147)	24 (61)	31 1/8 (79)	11 (28)	14 1/4 (36)	50 3/8 (128)	15 1/4 (39)	216 (98)
G675T72N-PV-ES2*	70 3/8 (179)	61 1/4 (156)	26 (66)	33 1/8 (84)	11 (28)	14 1/4 (36)	53 (135)	15 1/4 (39)	277 (126)

PREFERRED INSTALLATION



VENT PIPE LENGTHS

Model	Vent Pipe Diameter in	Minimum Number of Elbows Required*	Maximum Vent Length with one 90° Elbow ft (m)	Minimum Vent Length with one 90° Elbow ft (m)
40S40	2	0	50 (15.2)	7 (2.1)
40T50				
50S40	3	0	125 (38.1)	50 (15.2)
50T50				
60S42	4	0	180 (54.9)	125 (38.1)
50S62	3	0	50 (15.2)	7 (2.1)
75T72	4	0	125 (38.1)	50 (15.2)

* Refer to installation manual for further details.

ACCESSORY KITS

Description	Part Number
3" Vent Kit Includes coupling for blower outlet and termination screens	9008311005
4" Vent Termination Kit Includes termination screens	9008310015