

# CONDENSING GAS FURNACE



Turn to the Experts.™

## Owner's Manual

**NOTE TO INSTALLER:**  
**THIS MANUAL MUST BE LEFT WITH THE EQUIPMENT USER.**

**USER: PLEASE READ ALL INSTRUCTIONS IN THE MANUAL AND RETAIN ALL MANUALS FOR FUTURE REFERENCE.**

### **⚠ WARNING**

#### **FIRE OR EXPLOSION HAZARD**

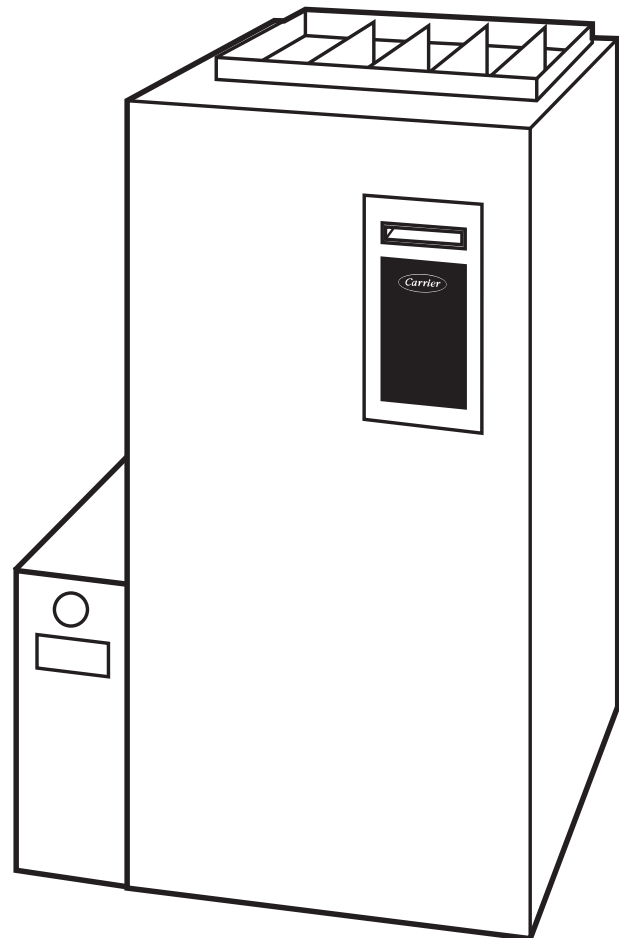
Failure to follow warnings could result in injury, death, or property damage.

Do not store or use gasoline or other flammable vapors and liquids in the vicinity of this or any other appliance.

#### **WHAT TO DO IF YOU SMELL GAS**

- Do not try to light any appliance.
- Do not touch any electrical switch; do not use any phone in your building.
- Leave the building immediately.
- Immediately call your gas supplier from a neighbor's phone. Follow the gas supplier's instructions.
- If you cannot reach your gas supplier, call the fire department.

Installation and service must be performed by a qualified installer, service agency or the gas supplier.



A05069

### **⚠ WARNING**

#### **CARBON MONOXIDE POISONING HAZARD**

Failure to follow this warning could result in personal injury and/or death.

Carbon Monoxide is invisible, odorless, and toxic! Install a carbon monoxide alarm in your home, even if you do not own a gas appliance. Locate the carbon monoxide alarm in the living area of your home and away from gas appliances and doorways to attached garages. Follow the alarm manufacturer's instruction included with the alarm.

### **⚠ WARNING**

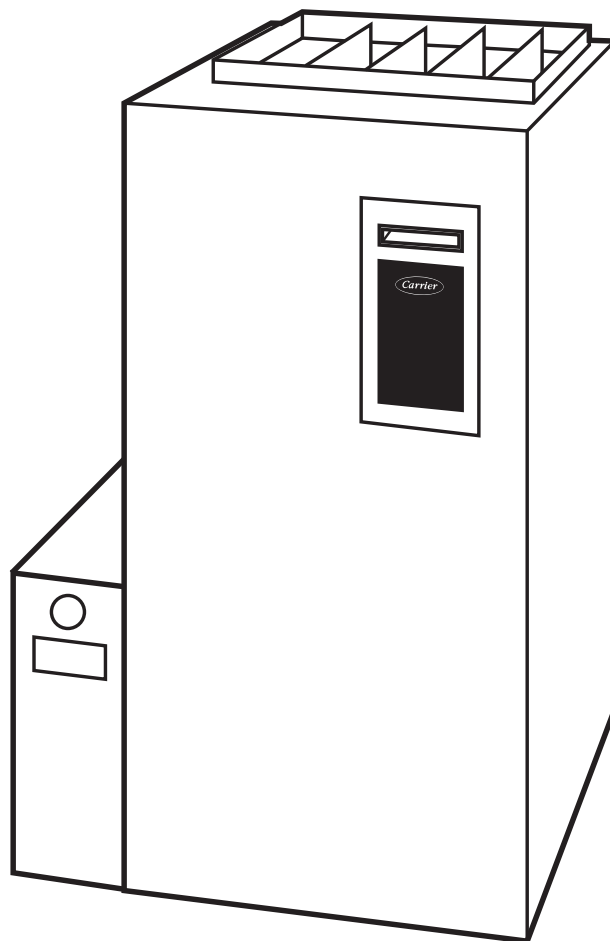
#### **ELECTRICAL OPERATION HAZARD**

Failure to follow this warning could result in personal injury, death, or property damage.

Do not use this furnace if any part has been under water. A flood-damaged furnace is extremely dangerous. Attempts to use the furnace can result in fire or explosion. A qualified service agency should be contacted to inspect the furnace and to replace all gas controls, control system parts, electrical parts that have been wet or the furnace if deemed necessary.

## TABLE OF CONTENTS

|  |    |
|--|----|
| WELCOME TO A NEW GENERATION OF COMFORT . . . . | 2  |
| FURNACE COMPONENTS . . . . .                   | 3  |
| SAFETY CONSIDERATIONS . . . . .                | 4  |
| BEFORE STARTING YOUR FURNACE . . . . .         | 5  |
| STARTING YOUR FURNACE . . . . .                | 5  |
| SHUTTING DOWN YOUR FURNACE . . . . .           | 7  |
| PERFORMING ROUTINE MAINTENANCE . . . . .       | 8  |
| FILTERING OUT TROUBLE . . . . .                | 9  |
| COMBUSTION AREA AND VENT SYSTEM . . . . .      | 9  |
| HEADING SOUTH FOR THE WINTER . . . . .         | 13 |
| A CHECK-UP CHECKLIST . . . . .                 | 14 |
| BEFORE YOU REQUEST A SERVICE CALL . . . . .    | 14 |
| INSTALLATION DATA . . . . .                    | 15 |



A05069

## WELCOME TO TODAY'S GENERATION OF COMFORT

Congratulations! In light of rising energy costs, a 90+% AFUE Condensing Gas Furnace from Carrier Corporation is among the soundest investments today's homeowner can make.

Your new furnace is truly a triumph of technology in home heating. A revolutionary design employs two (2) heat exchangers to "squeeze" out the maximum amount of heat from the fuel consumed. In fact, your new furnace is so efficient, over 90%\* of the heat generated during combustion is captured and delivered inside your home. That is more than a 30%\* increase in heating efficiency over conventional furnaces.

This furnace is among the safest, most dependable, energy-efficient furnaces you can buy today. We are proud of the technological advances incorporated into the design of this furnace. With only minimal care, your new furnace will deliver many years of money-saving home comfort and enjoyment. Spend just a few minutes with this manual to learn the operation of your new furnace and the small amount of maintenance it takes to help keep it operating at peak efficiency year after year.

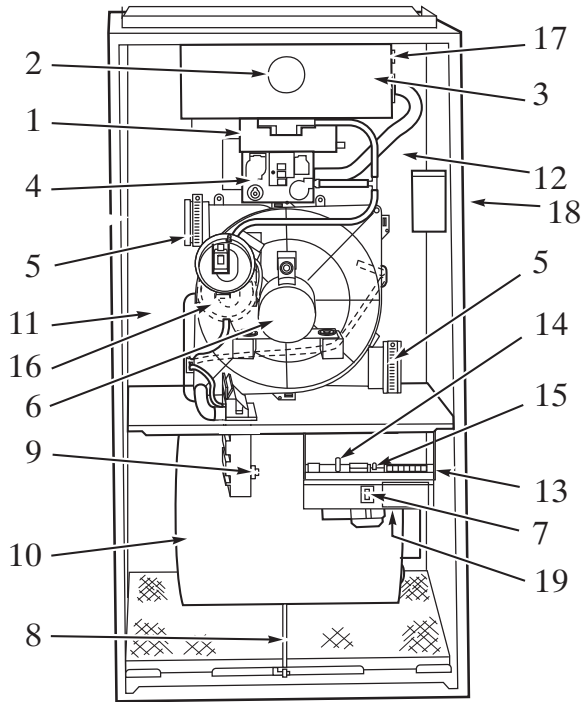
\* The output capacity and any representations of efficiency for this furnace are based on standard U.S. Department of Energy test procedures.



As an ENERGY STAR Partner, Carrier Corp. has determined that this product meets the ENERGY STAR® guidelines for energy efficiency.

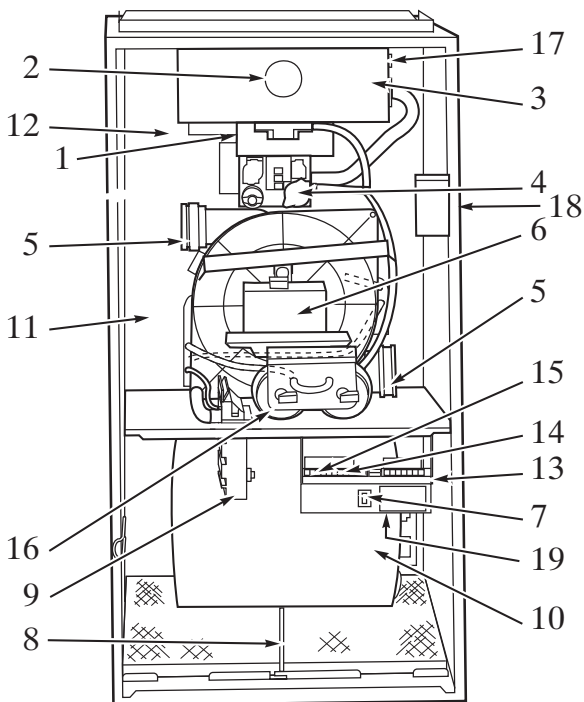
## FURNACE COMPONENTS

(Furnace shown in upflow position; may be used in downflow or horizontal orientation or applications.)



**Single Stage Furnace**

A08315



**Two-Stage Furnace**


A08316

1. Combustion-air intake connection (right or left side).
2. Burner sight glass for viewing burner flame.
3. Burner assembly (inside), operates with energy-saving, in-shot burners and hot surface igniter for safe, dependable heating.
4. Redundant gas valve. Safe and efficient. Features 1 gas control with 2 internal shutoff valves.
5. Vent outlet, uses PVC pipe to carry flue gas from the furnace's combustion system (right or left side).
6. Inducer motor. Pulls hot flue gases through the heat exchangers, maintaining negative pressure for added safety.
7. Blower access panel safety interlock switch.
8. Air filter (sold separately on some models) and retainer (location in furnace may vary).
9. Condensate drain connection, collects moisture condensed from burned gases for disposal into home drain system. (location in furnace varies)
10. Heavy-duty blower, circulates air across the heat exchangers to transfer heat into the home.
11. Secondary condensing heat exchanger (inside). Wrings out more heat through condensation. Constructed with polypropylene-laminated steel to ensure durability.
12. Primary serpentine heat exchanger (inside), stretches fuel dollars with the S-shaped heat-flow design. Solid construction of corrosion-resistant aluminized steel means reliability.
13. Furnace control board.
14. 3-amp fuse provides electrical and component protection.
15. Light emitting diode (LED) on furnace control board. Status code light is for diagnosing furnace operation and service requirements.
16. Pressure switch(es) ensure adequate flow of flue gas through furnace and out vent system.
17. Rollout switch (manual reset) to prevent over temperature.
18. Junction box for 115-v electrical power supply. (May be located on right or left side).
19. Transformer (24v) behind furnace control board provides low-voltage power to furnace control board and thermostat.

## SAFETY CONSIDERATIONS

Installing and servicing of heating equipment can be hazardous due to gas and electrical components. Only trained and qualified personnel should install, repair, or service heating equipment.

Untrained personnel can perform basic maintenance functions such as cleaning and replacing air filters. All other operations must be performed by trained service personnel. Observe safety precautions in this manual, on tags, and on labels attached to the furnace and other safety precautions that may apply.

Recognize safety information. This is the safety-alert symbol . When you see this symbol on the furnace and in instructions or manuals, be alert to the potential for personal injury.

Understand the signal words DANGER, WARNING, CAUTION, and NOTE. DANGER, WARNING, and CAUTION are used with the safety-alert symbol. DANGER identifies the most serious hazards which **will** result in severe personal injury or death. WARNING signifies hazards which **could** result in personal injury or death. CAUTION is used to identify unsafe practices which **may** result in minor personal injury or product and property damage. NOTE is used to highlight suggestions which **will** result in enhanced installation, reliability, or operation.

To minimize the possibility of serious personal injury, fire, damage to your furnace, or improper operation, **carefully follow these safety rules** which apply to both direct-vent and non-direct vent applications:

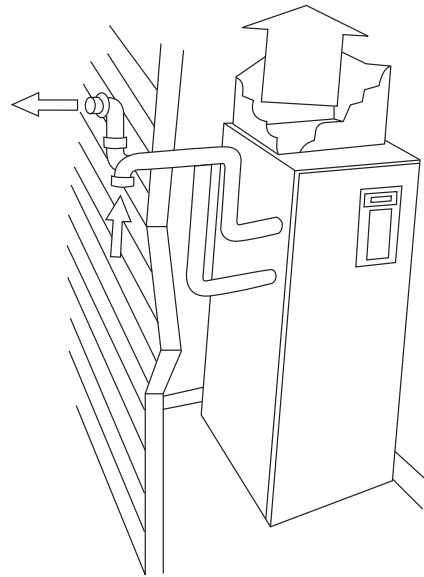
- Your new gas furnace may have been installed in 1 of 2 ways, as a direct-vent (2-pipe-Fig. 1) application or as a non-direct vent (1-pipe-Fig. 2) application.
- In a direct-vent (2-pipe) application, your furnace uses air from outside the home for combustion and vents flue gas to the outdoors. This type of application will have 2 pipes running from the furnace to the outdoors. (See Fig. 1.) In this application, the vent and air-intake pipes must terminate outside the structure and must not be obstructed in any way. Do not block or obstruct air openings on furnace or spaces around furnace.
- In a non-direct vent (1-pipe) application, your furnace uses air from adjacent to the furnace for combustion and vents flue gas to the outdoors. This type of application will have only 1 pipe running from the furnace to the outdoors. (See Fig. 2.) The other pipe will terminate in the same space as the furnace and is the source of combustion air for your furnace. Therefore, the furnace must not be enclosed in an airtight room or be sealed behind solid doors. It must have adequate airflow for efficient combustion and safe ventilation. Do not obstruct the combustion-air pipe in any way. The vent pipe must terminate outside the structure and must not be obstructed in any way. Do not block or obstruct air openings or space around furnace.

### **WARNING**

#### **FIRE OR EXPLOSION HAZARD**

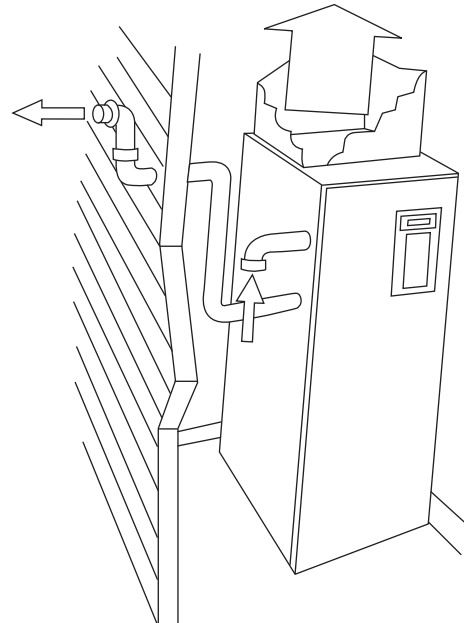
Failure to follow warnings could result in personal injury, death, or property damage.

Keep insulation clear of furnace and maintain clearances shown on unit clearance label.



**Fig. 1 - Exterior Vent Pipes**

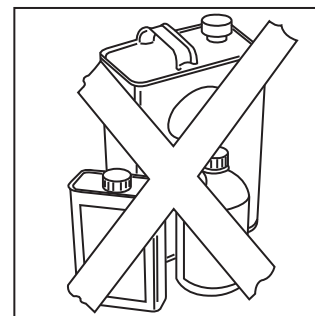
A05098



**Fig. 2 - Interior Combustion - Air Pipe**

A05101

- Keep the area around your furnace clear and free of combustible materials, gasoline, and other flammable liquids and vapors. See Fig. 3.



**Fig. 3 - NO combustible materials near furnace**

A92182

- Do not cover the furnace, store trash or debris near it, or in any way block the flow of fresh air to the unit.
- In addition to the safety rules above, make sure that the following combustion-air requirements are met for non-direct vent applications:
- Combustion air must be clean and uncontaminated with chlorine or fluorine. These compounds are present in many products around the home, such as: water softener salts, laundry bleaches, detergents, adhesives, paints, varnishes, paint strippers, waxes, and plastics.
- Make sure the combustion air for your furnace does not contain any of these compounds. During remodeling be sure the combustion air is fresh and uncontaminated. If these compounds are burned in your furnace, the heat exchangers may deteriorate.
- A furnace installed in an attic or other insulated space must be kept free and clear of insulating material. Examine the furnace area when the furnace is installed or when insulation is added. Some insulation materials may be combustible.
- Should the gas supply fail to shut off or if overheating occurs, shut off the gas valve to the furnace before shutting off electrical supply.

This furnace contains SAFETY DEVICES which must be MANUALLY RESET. If the furnace is left unattended for an extended period of time, have it checked periodically for proper operation. This precaution will prevent problems associated with no heat, such as frozen water pipes, etc. See “Before You Request a Service Call” section in this manual.

## WARNING

### FIRE OR EXPLOSION HAZARD

Failure to follow this warning could result in personal injury, death, or property damage.

Do not keep combustible materials, gasoline, and other flammable liquids or vapors around your furnace.

## CAUTION

### UNIT OPERATION HAZARD

Failure to follow this caution may result in intermittent unit operation.

For proper and safe operation the furnace needs air for combustion and ventilation. Do not block or obstruct air openings on the furnace, air opening to the area in which the furnace is installed, and the space around the furnace.

## BEFORE STARTING YOUR FURNACE

Examine the furnace installation to determine that:

1. All flue gas carrying areas external to the furnace (i.e. chimney, vent connector) are clear and free of obstructions.
2. The vent connector is in place, slopes upward and is physically sound without holes or excessive corrosion.
3. The return-air duct connection(s) is physically sound, is sealed to the furnace casing, and terminates outside the space containing the furnace.
4. The physical support of the furnace is sound without sagging cracks, gaps, etc. around the base.
5. There are no obvious signs of deterioration of the furnace.
6. The burner flames are in good adjustment, See Fig. 4 (by comparison with pictorial sketches or drawings of the main burner flame.)

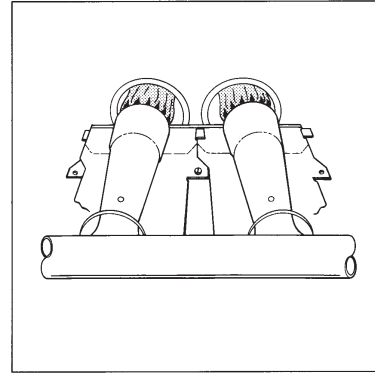


Fig. 4 - Burner Flame Adjustment

A92330

## STARTING YOUR FURNACE

Instead of a continuously burning pilot flame which wastes valuable energy, your furnace uses an automatic, hot surface ignition system to light the burners each time the thermostat signals the furnace to start.

### Follow these important safeguards:

- Never attempt to manually light the burners with a match or other source of flame. See Fig. 5.

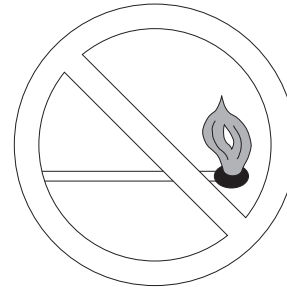


Fig. 5 - Do Not Light Burner with Match

A92319

- Read and follow the operating instructions on inside of main furnace door, especially the item that reads as follows:  
“Wait 5 minutes to clear out any gas. Then smell for gas, including near the floor. If you smell gas, **STOP!** Follow “B” in the safety information on furnace label. If you don’t smell gas, go to the next step.”
- If a suspected malfunction occurs with your gas control system, such as the burners do not light when they should, refer to the shutdown procedures on inside of main furnace door, or in the “Shutting Down Your Furnace” section and call your dealer as soon as possible.

## WARNING

### FIRE AND EXPLOSION HAZARD

Failure to follow this warning could result in personal injury, death or property damage.

Should the gas supply fail to shut off or if overheating occurs, turn off the manual gas valve to the furnace BEFORE turning off the electrical supply and install lockout tag.

- **CHECK AIR FILTER:** Before attempting to start your furnace, be sure the furnace filter is clean and in place. See “Performing Routine Maintenance” section in this manual. Do not run the furnace without a filter in place. Then proceed as follows:

## STEPS FOR STARTING YOUR FURNACE

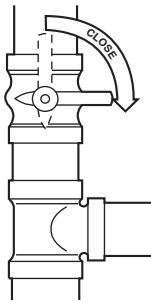
1. Set your room thermostat to the lowest temperature setting. See Fig. 6.



**Fig. 6 - Lowest Temperature Setting**

A09564

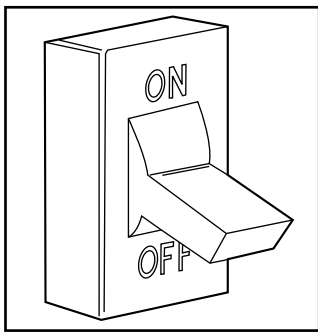
2. Close the external manual gas valve. See Fig. 7.



**Fig. 7 - Close Valve**

A06188

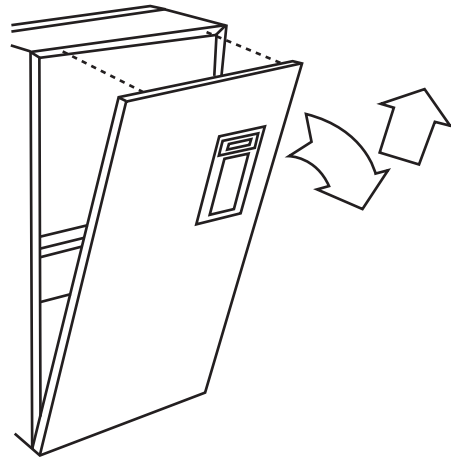
3. Turn OFF electrical supply to the furnace. See Fig. 8.



**Fig. 8 - Turn Off Electrical Supply**

A92185

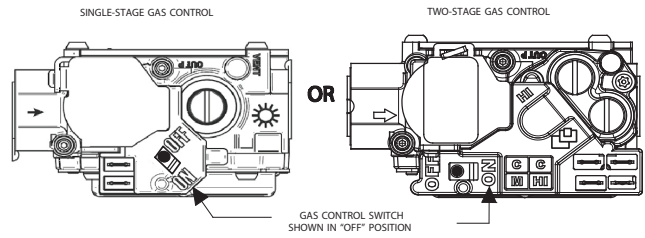
4. Remove the main furnace door. See Fig. 9.



**Fig. 9 - Remove Furnace Door**

A05099

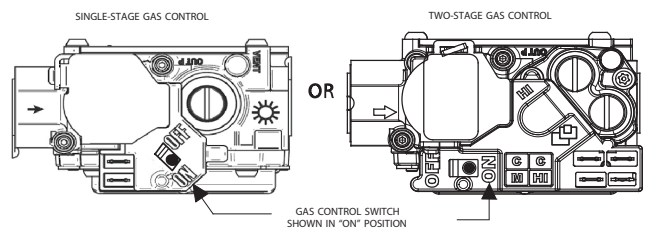
5. Turn the control switch on the gas control to the OFF position and wait 5 minutes. See Fig. 10. Then smell for gas, including near the floor. If you smell gas, STOP! Follow “B” on furnace label. If you don’t smell gas, go to next step.



**Fig. 10 - Control Switch to OFF**

A09600

6. After waiting 5 minutes, turn control switch on the gas control to the ON position. Turn the control switch to ON. See Fig. 11.

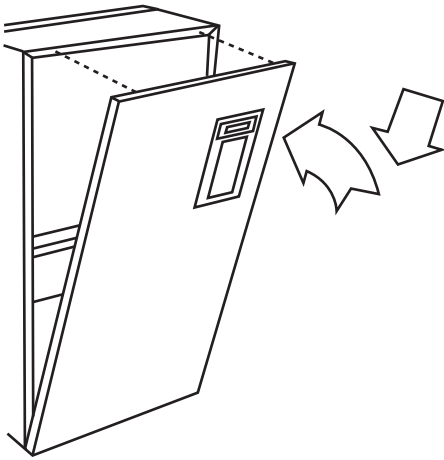


**Fig. 11 - Control Switch to ON**

A09599

7. Replace main furnace door. See Fig. 12.

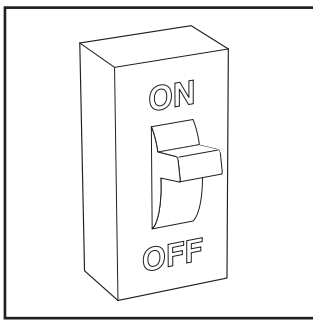




**Fig. 12 - Furnace Door Replaced**

A05100

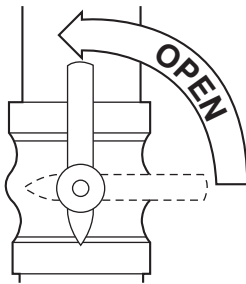
8. Turn ON the electrical supply to the furnace and wait 1 minute. See Fig. 13.



**Fig. 13 - Turn on Electrical Supply**

A92359

9. Open the external manual gas valve. See Fig. 14.



**Fig. 14 - Open Valve**

A06189

10. Set the room thermostat to a temperature slightly above the room temperature. This will automatically signal the furnace to start.
11. When the furnace receives the start signal, the inducer is started. When the pressure switch senses that there is sufficient combustion air, the hot surface igniter is energized. After the hot surface igniter is heated for 17 seconds, the gas valve permits gas to flow to the main burners. After ignition and a time delay of about 60 sec, the furnace blower will start. Variable-capacity furnaces start at low speed until the control makes the necessary adjustments to operate the blower at either the low- or high-heat speed.

**NOTE:** If the main burners fail to ignite after four attempts, the furnace control system will lock out. If lockout occurs, main burners fail to light, or blower does not come on, shut down the furnace and call your dealer for service.

12. Set your thermostat to the temperature that satisfies your comfort requirements. **SUGGESTION:** Setting the thermostat back a few degrees—and compensating for the difference with warmer clothing—can make a big difference in your fuel consumption on extremely cold days. The few degrees at the top of your thermostat “comfort level” are the most costly degrees to obtain.

When the room temperature drops below the temperature selected on the thermostat, the furnace will switch on automatically. When the room temperature reaches the setting selected on the thermostat, the furnace will be automatically switched off.

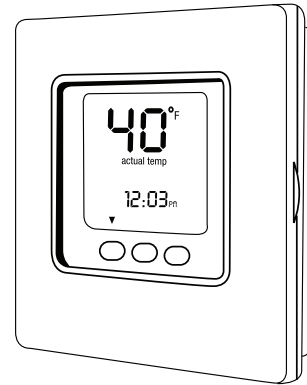
**Continuous Fan Operation** -Some thermostats have a “FAN” switch with 2 selections: AUTO and ON. When thermostat is set on AUTO, the furnace blower cycles on and off, controlled by the thermostat. In ON position, the furnace blower runs continuously. Continuous fan keeps the temperature level in your home more evenly balanced. It also continuously filters the indoor air.

**Comfort Fan™** - On all but the base series furnace, the blower speed can be increased or decreased if desired due to change of seasons, large gatherings in your home, etc. Simply change your FAN from ON to OFF for 1 to 3 seconds (or AUTO depending on your thermostat), and then return to ON. The blower will switch to the next higher speed. There are at least three speeds to choose from. If the blower is running on its highest speed, a request to change will direct the blower to return to its lowest speed.

### SHUTTING DOWN YOUR FURNACE

Should you need to shut down your furnace for service or maintenance, you will need to turn the furnace off. The following procedures must be followed:

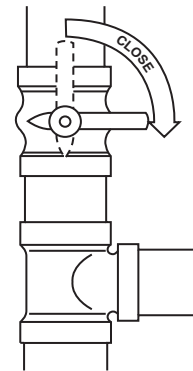
1. Set your room thermostat to the lowest temperature setting. See Fig. 15.



**Fig. 15 - Lowest Temperature Setting**

A09564

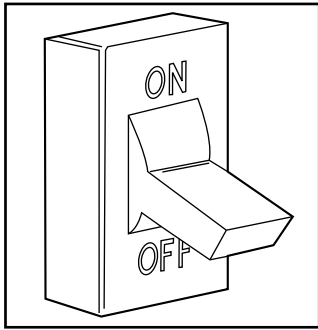
2. Close the external manual gas valve. See Fig. 16.



**Fig. 16 - Close the External Manual Valve**

A06188

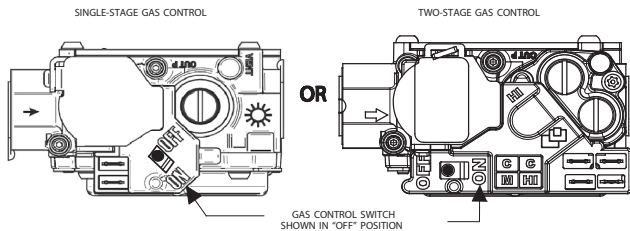
3. Turn off electrical supply to the furnace. See Fig. 17.



**Fig. 17 - Turn Off Electrical Supply**

A92185

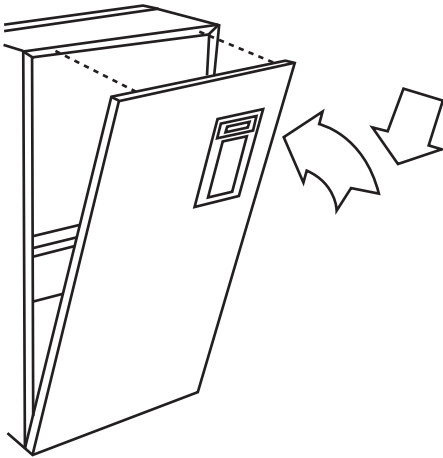
4. Remove main furnace door.
5. Turn control switch on the gas control to OFF position. See Fig. 18.



A09600

**Fig. 18 - Control Switch to OFF**

6. Replace main furnace door. See Fig. 19.



**Fig. 19 - Furnace Door Replaced**

A05100

7. If the furnace is being shut down because of a malfunction, call your dealer as soon as possible.

## ⚠ CAUTION

### UNIT AND PROPERTY DAMAGE HAZARD

Failure to follow this caution may result in unit component or property damage.

Furnace is not to be installed, operated, and then turned off and left turned off in an unoccupied structure during winter. (See “Winterization” procedures in this manual.

## PERFORMING ROUTINE MAINTENANCE

**NOTE:** The qualified installer or agency must use only factory-authorized replacement parts, kits, and accessories when modifying this product.

Installing and servicing of heating equipment can be hazardous due to gas and electrical components.

Only trained and qualified personnel should install, repair, or service heating equipment. Untrained personnel can perform basic maintenance functions such as cleaning and replacing air filters.

All other operations must be performed by trained service personnel. Observe safety precautions in this manual, on tags, and on labels attached to the furnace and other safety precautions that may apply.

With proper maintenance and care, your furnace will operate economically and dependably. Instructions for basic maintenance are found on this and the following pages. However, before beginning maintenance, follow these safety precautions:

## ⚠ WARNING

### ELECTRICAL SHOCK HAZARD

Failure to follow this warning could result in personal injury or death.

Turn off electrical power supply to your furnace and install lockout tag before removing the access doors to service or perform maintenance.

## ⚠ CAUTION

### CUT HAZARD

Failure to follow this caution may result in personal injury.

Although special care has been taken to minimize sharp edges, be extremely careful when handling parts or reaching into the furnace. Wear safety glasses, gloves, and appropriate protective clothing.



## FILTERING OUT TROUBLE

### ⚠ CAUTION

#### UNIT PERFORMANCE HAZARD

Failure to follow this caution may result in unit component damage.

Never operate your furnace without a filter in place. Doing so may damage the furnace blower motor. An accumulation of dust and lint on internal parts of your furnace can cause a loss of efficiency.

A dirty filter will cause excessive stress on the furnace, heat exchanger, and blower motor and can cause it to overheat and automatically shut down. The furnace filter should be checked every 4 weeks and cleaned or replaced if necessary.

If installed with factory-specified disposable media filter, check or replace filter before each heating and cooling season. Replace disposable media filter at least once a year.

If your furnace filter needs replacing, be sure to use the same size and type of filter that was originally specified.

The air filter for the furnace may be located in the blower compartment or in the factory-supplied filter cabinet attached to the side or bottom of the furnace casing. If air filter has been installed in another location, contact your dealer for instructions. To inspect, clean and/or replace the air filter(s), follow these steps:

1. Turn off electrical supply to the furnace. See Fig. 20.
2. Remove air filter from furnace.

• AIR FILTER(S) LOCATED IN BLOWER COMPARTMENT:

- a. Remove main furnace door. See Fig. 21.
- b. Remove blower access panel. See Fig. 22.

**NOTE:** It will be necessary to remove two screws.

• AIR FILTER(S) LOCATED IN BLOWER COMPARTMENT BOTTOM:

- c. Slide filter retainer sideways until it is free of latch (See Fig. 25).
- d. Slide air filter out of furnace. See Fig. 26.

• AIR FILTER(S) LOCATED IN BLOWER COMPARTMENT SIDE:

- a. Remove filter retainer from latch. See Fig. 27.
- b. Gently remove air filter and carefully turn the dirty side up (if dirty) to avoid spilling dirt from the filter (See Fig. 28).

• AIR FILTER(S) LOCATED IN FILTER CABINET:

- a. Remove filter cabinet door. (See Fig. 23 and 24.)

**NOTE:** It will be necessary to remove one thumbscrew.

- b. Slide air filter out of furnace. Keep dirty side up (if dirty) to avoid spilling dirt. See Fig. 29 and 30.

3. Inspect the filter. If torn replace it.

**NOTE:** If a washable filter was shipped with the furnace and has been replaced by:

- Factory specified disposable media filter--Do not clean. If dirty, replace only with media filter having the same part number and size. Install with airflow direction arrow pointing towards blower.
- Electronic Air Cleaner (EAC), refer to the EAC Owner's Manual for maintenance information.

4. If washable filter, wash filter (if dirty) in a sink, bathtub, or outside with a garden hose. Always use cold tap water. A mild liquid detergent may be used if necessary. Spray water through filter in the opposite direction of airflow. Allow filter to dry.

5. Reinstall clean air filter.

6. Reinstall filter retainer (for blower compartment locations only.)

7. Replace blower access panel and main furnace door (See Fig. 33 and 34) or filter cabinet door (Fig. 29 and 30).

8. Turn on electrical supply to the furnace.

If your furnace air filter needs to be replaced, be sure to use a factory-authorized filter of the same size that was originally specified. Use the filter tables and compare your furnace size with the proper filter size.

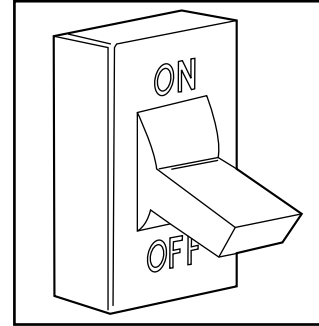


Fig. 20 - Turn Off Electrical Supply

A92185

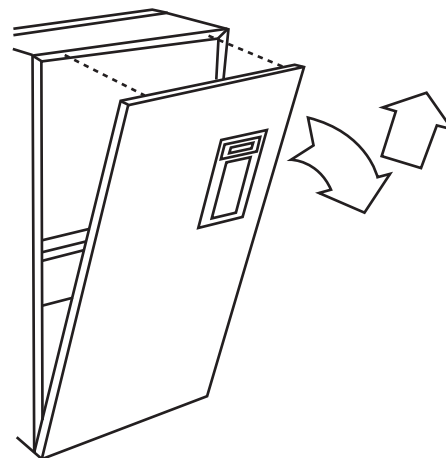


Fig. 21 - Main Furnace Door

A05099

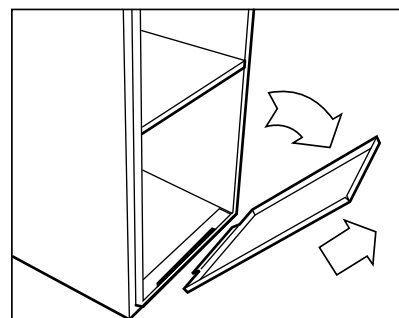
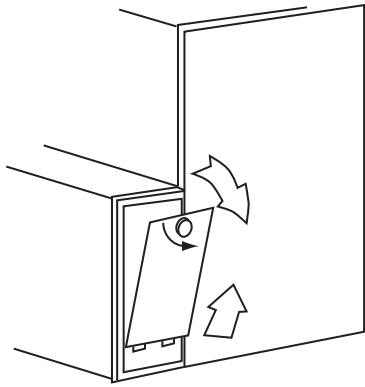


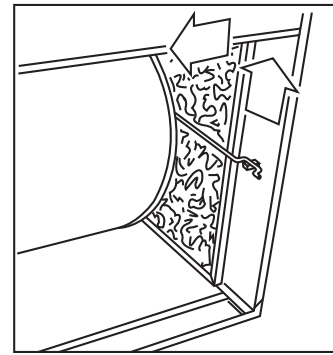
Fig. 22 - Blower Access Panel

A93204



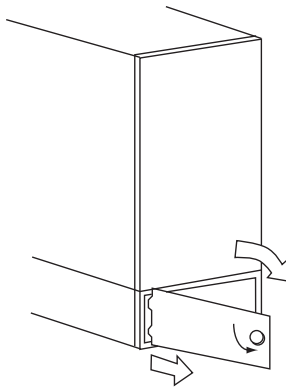
A00225

**Fig. 23 - Removal of Filter Cabinet Door from Side Blower Cabinet**



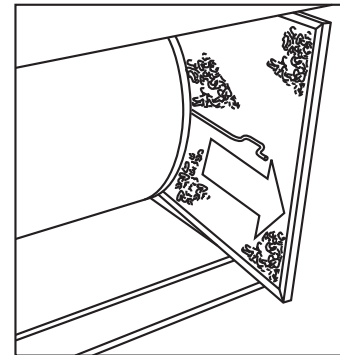
A93012

**Fig. 27 - Release Filter Retaining Rod (Side Inlet)**



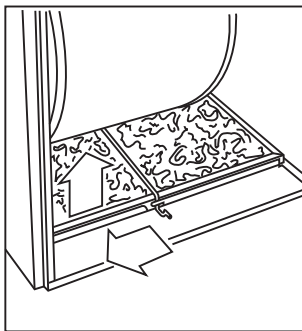
A00226

**Fig. 24 - Removal of Filter Cabinet Door from Bottom Blower Cabinet**



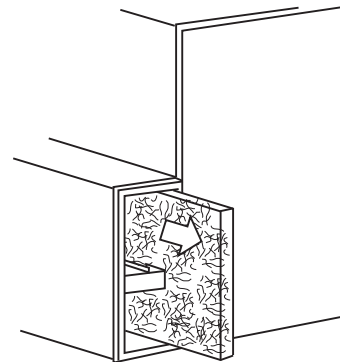
A93013

**Fig. 28 - Slide Filter Out of Furnace (Side Inlet)**



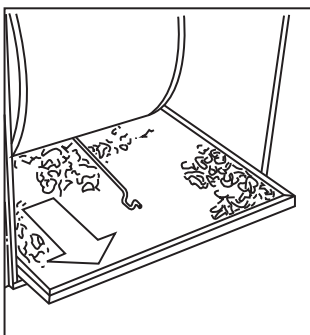
A93010

**Fig. 25 - Release Filter Retaining Rod (Bottom Inlet)**



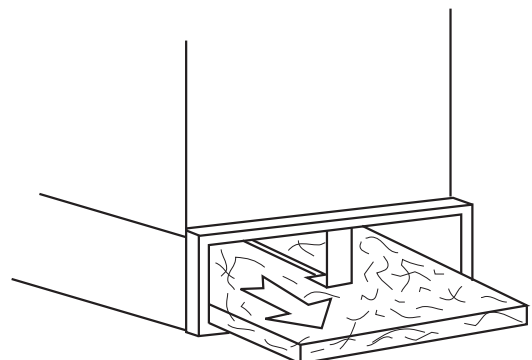
A00227

**Fig. 29 - Removal of Filter from Side Blower Cabinet**



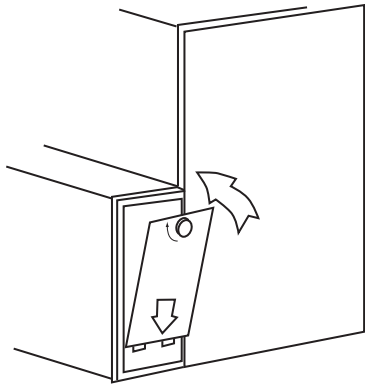
A93011

**Fig. 26 - Slide Filter Out (Bottom Inlet)**



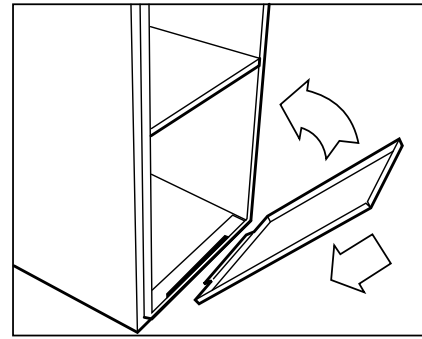
A00228

**Fig. 30 - Removal of Filter from Bottom Blower Cabinet**



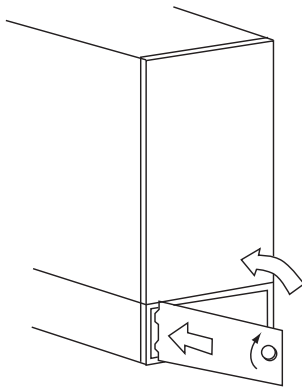
A00229

**Fig. 31 - Replacement of Filter Cabinet Door to Side Blower Cabinet**



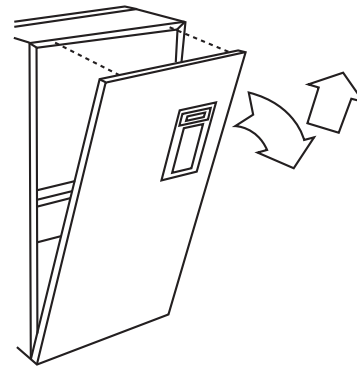
A93205

**Fig. 33 - Replace Blower Access Panel**



A00230

**Fig. 32 - Replacement of Filter Cabinet Door to Bottom Blower Cabinet**



A05099

**Fig. 34 - Removal of Furnace Door**

**Table 1 – Furnace Air Filter Table**

| FURNACE CASING WIDTH<br>IN (MM) | FILTER QUANTITY AND SIZE *            |                                       | FILTER TYPE*                |
|---------------------------------|---------------------------------------|---------------------------------------|-----------------------------|
|                                 | SIDE RETURN*<br>IN (MM)               | BOTTOM RETURN*<br>IN (MM)             |                             |
| 17-1/2 (445)                    | (1) 16 x 25 x 3/4<br>(406 x 635 x 19) | (1) 16 x 25 x 3/4<br>(406 x 635 x 19) | 3/4" (19 mm) thick washable |
| 21 (533)                        | (1) 16 x 25 x 3/4<br>(406 x 635 x 19) | (1) 20 x 25 x 3/4<br>(508 x 635 x 19) | 3/4" (19 mm) thick washable |
| 24-1/2 (610)                    | (1) 16 x 25 x 3/4<br>(406 x 635 x 19) | (1) 24 x 25 x 3/4<br>(610 x 635 x 19) | 3/4" (19 mm) thick washable |

**Table 2 – Air Filter Located in Filter Cabinet**

| FILTER CABINET HEIGHT – IN (MM) | FILTER SIZE – IN (MM)  | FILTER TYPE |
|---------------------------------|--|-------------|
| 16 (406)                        | (1) 16 x 25 x 3/4*<br>(406 x 635 x 19) or<br>(1) 16 x 25 x 4-5/16<br>(406 x 635 x 110)   | washable    |
| 20 (508)                        | (1) 20 x 25 x 3/4*<br>(508 x 635 x 19) or<br>(1) 20 x 25 x 4-5/16<br>(508 x 635 x 110)   | washable    |
| 24 (610)                        | (1) 24 x 25 x 3/4*or<br>(610 x 635 x 19) or<br>(1) 24 x 25 x 4-5/16<br>(610 x 635 x 110) | washable    |

\* Filters with a side return-air may have a different filter size. Measure the filter to obtain the correct size.

## ⚠ CAUTION

### PERSONAL INJURY HAZARD

Failure to follow this caution may result in personal injury.

Use care when cutting support rods in filters to protect against flying pieces and sharp rod ends. Wear safety glasses, gloves, and appropriate protective clothing.

## COMBUSTION AIR AND VENT SYSTEM

## ⚠ WARNING

### CARBON MONOXIDE POISONING HAZARD

Failure to follow this warning could result in personal injury or death.

If holes are found or if the vent pipe is obstructed or is not connected, toxic fumes can escape into your home. **DO NOT OPERATE YOUR FURNACE.** Call your dealer for service.

## ⚠ CAUTION

### UNIT OPERATION HAZARD

Failure to follow this caution may result in intermittent unit operation.

For proper and safe operation the furnace needs air for combustion and ventilation. Do not block or obstruct air openings on the furnace, air opening to the area in which the furnace is installed, and the space around the furnace.

Visually inspect the combustion area and vent system before each heating season. Make sure that all PVC pipes leading into the combustion area and vent are free from any cracks and sags. An accumulation of dirt, soot, or rust can mean a loss of efficiency and improper performance. Buildups on the main burners can cause faulty firing. This “delayed ignition” is characterized by an alarmingly loud sound.

Check the combustion-air intake adjacent to the furnace or outside your home for blockage. Also check the vent pipe on the outside of your home for blockage.

**NOTE:** If your furnace makes a loud noise when the main burners are ignited, shut down the furnace and call your servicing dealer.

Use your flashlight and follow these steps for inspecting the combustion area and vent system of your furnace:

## ⚠ WARNING

### CARBON MONOXIDE POISONING HAZARD

Failure to follow this warning could result in personal injury or death.

If dirt, rust, soot, or scale accumulations are found, call your dealer. Do not operate your furnace.

1. Turn off electrical supply to the furnace and remove the main furnace door. See Fig. 20 and 21.

2. Remove burner enclosure front. Inspect the gas burners, igniter area, and remainder of furnace for dirt, rust, soot or scale.

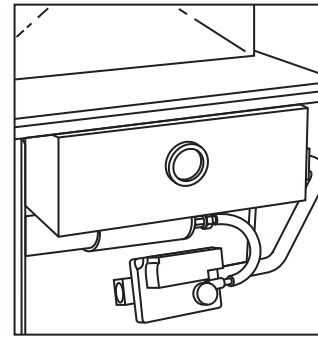


Fig. 35 - Upflow Burner Enclosure

A00223

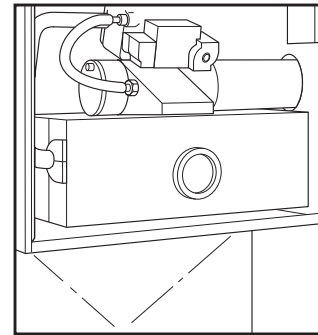


Fig. 36 - Downflow Burner Enclosure

A00224

3. Inspect the combustion-air and vent PVC pipes for sags, holes, cracks, water leaks, blockage or disconnections. Horizontal portions of vent pipe must slope downward toward the furnace.
4. Reinstall burner enclosure front.
5. If your furnace is free of the above conditions, replace main furnace door and turn on electrical and gas supplies to the furnace.
6. Start your furnace and observe its operation. Watch the burner flames to see if they are clear blue, almost transparent. See Fig. 37. If you observe a suspected malfunction, or the burner flames are not clear blue, call your dealer.

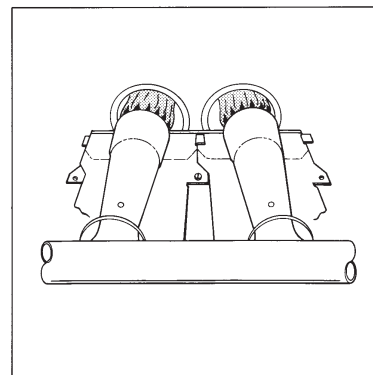


Fig. 37 - Burner Flame Adjustment

A92330

## WINTERIZATION

### ▲ CAUTION

#### UNIT AND PROPERTY DAMAGE HAZARD

Failure to follow this caution may result in unit component or property damage.

If the furnace is installed in an unconditioned space where the ambient temperatures may be 32° F (0° C) or lower, freeze protection measures must be taken to prevent minor property or product damage.

Since the furnace uses a condensing heat exchanger, some water will accumulate in the unit as a result of the heat transfer process. Therefore, once it has been operated, it cannot be turned off and left off for an extended period of time when temperatures will reach 32°F (0°C) or lower unless winterized. Follow these procedures to winterize your furnace:

1. Obtain propylene glycol (RV/swimming pool antifreeze or equivalent).

### ▲ CAUTION

#### UNIT COMPONENT DAMAGE HAZARD

Failure to follow this caution may result in damage to the furnace and other property damage.

Do not use ethylene glycol (Prestone II antifreeze coolant or equivalent). Failure of plastic components may occur.

2. Turn off electrical supply to your furnace.
3. Remove main furnace door.
4. Remove upper inducer housing drain connection cap. See Fig. 38.
5. Connect field-supplied 1/2-in. (13 mm) ID tube to upper inducer housing drain connection.
6. Insert field-supplied funnel into tube.
7. Pour 1 quart of antifreeze into funnel/tube. Antifreeze should run through inducer housing, overflow condensate trap, and flow into open field drain. See Fig. 39.
8. Remove funnel and tube from inducer housing and replace drain connection cap and clamp.
9. Replace main furnace door.
10. Propylene glycol need not be removed before restarting furnace.

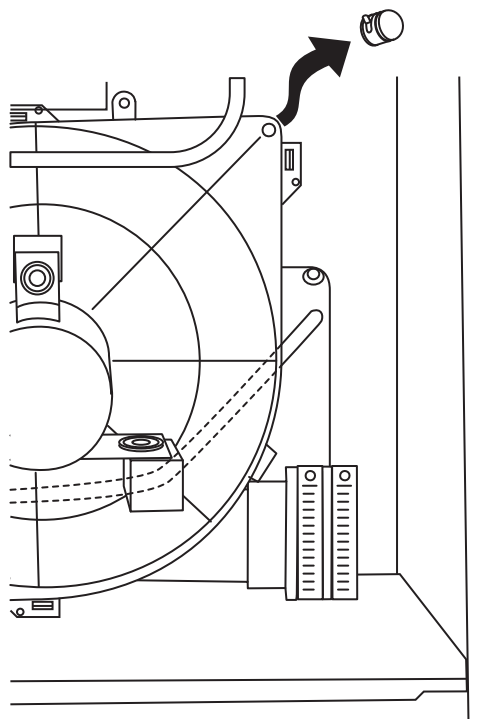


Fig. 38 - Drain Connection Cap

A06456

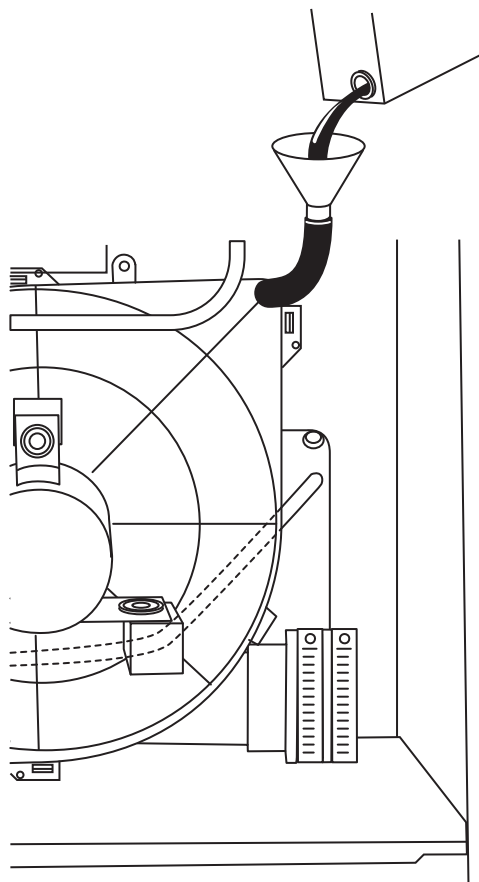


Fig. 39 - Antifreeze into Funnel / Tube

A06457

## A CHECK-UP CHECKLIST

Your furnace represents an important investment in your family's comfort and your home's value. To keep it performing properly and to prevent future problems, have a trained service specialist give your furnace a professional check-up annually. The following checklist can be used as a guideline to proper service:

- Inspect all flue gas passages, burners, heat exchangers, coupling box(es), and inducer assembly.
- Inspect all combustion-air and vent piping inside structure and pipe terminations outside the structure.
- Check gas pipes leading to and inside of your furnace for leaks.
- Inspect and clean the blower motor and wheel.

**NOTE:** The inducer and blower motors are pre-lubricated and require no additional lubrication. These motors can be identified by the absence of oil ports on each end of the motor.

- Inspect and change or clean air filter(s) if necessary.
- Inspect all supply- and return-air ducts for obstructions, air leaks, and insulation. Remedy any problem when necessary.
- Inspect the return-air duct connection(s) at the furnace to ensure it is physically sound, sealed to the furnace casing, and terminates outside the space containing the furnace.
- Inspect electrical wiring, connections, and components for loose connections.
- Perform an operational checkout to determine whether your furnace is working properly and if it requires adjustments.
- Inspect all condensate drain tubes and condensate trap assembly for leaks. The condensate removal system should be cleaned annually by a qualified service agency. Refer to the Service and Maintenance Instructions Guide for further information.
- Examine the physical support of the furnace. Support should be sound with no cracks, sagging, gaps, etc. around the base.
- Check furnace for any obvious signs of deterioration.

## BEFORE YOU REQUEST A "SERVICE CALL"

**If your furnace is not operating or not performing properly, you may save the expense of a service call by checking a few things yourself before calling for service.**

**NOTE:** Record the LED status code BEFORE removing the blower access door or turning off 115-v power to the furnace. Removing the blower access door or turning off the 115-v power will end the LED status code display and erase the code from the control's memory.

### For insufficient airflow:

- Check for dirty air filter(s).
- Check for blocked return-air or supply-air grilles. Be sure they are open and unobstructed.

If problem still exists, call your dealer for service.

### If furnace fails to operate:

Follow this checklist step by step, advancing to the next step only if furnace fails to start.

- Check thermostat for proper temperature. Is thermostat set above room temperature?
- Is thermostat set to HEAT mode?
- Check fuses and circuit breakers. Is the electrical power supply switch on?
- Is the manual shut-off valve in the gas supply pipe leading to the furnace open?

**NOTE:** Turn off electrical supply before continuing with checklist.

- Is control switch on gas valve in ON position? (Follow start-up procedures if you must reset switch to ON position.)
- Check manual reset flame rollout switch located on the burner box. See Furnace Components. If furnace has experienced high temperature conditions, this switch will shut off the furnace. Reset it by pushing the button on the switch. If it trips again, shut down the furnace and call for service. See "Shutting Down Your Furnace" section in this manual.
- Check for obstructions around the vent termination.

If your furnace still fails to operate, call your service representative.

For your convenience, record the furnace product and serial numbers on back page. Should you ever require service, you will have ready access to the information needed by your service representative.

This furnace has a light emitting diode (LED) status code display to aid the installer, service technician, or homeowner while installing or servicing the unit. The LED code can be seen by removing the main furnace door and viewing LED through the view port in the blower access panel.

### Regular dealer maintenance

In addition to the type of routine maintenance you might be willing to do, your furnace should be inspected regularly by a properly trained service technician. A semiannual inspection (or annual inspection, at least) should include the following:

1. Inspection of all flue gas passages including the burners, heat exchanger, inducer, elbow, and vent pipe.
2. Inspection of all combustion and ventilation air passages and openings.
3. Close check of all gas pipes leading to and inside of your furnace.
4. Inspection and cleaning of the blower motor and wheel.
5. Routine inspection and cleaning/replacement of the air filter.
6. Inspection of all supply- and return-air ducts for obstructions, air leaks, and insulation. Any problems found should be resolved at this time.
7. Inspection of furnace installation for proper support and any obvious deterioration of the furnace. The support must be sound and without sags, gaps, cracks, etc., around the furnace base so as to provide an air seal between the return-air duct and furnace.
8. A check for loose connections attaching individual components. Inspection of all electrical wiring and their connections.
9. Operational check of the furnace itself to determine working condition. Repair or adjustment should be made at this time.

Ask your servicing dealer for further details about an economical service contract that covers seasonal inspections.

**NOTE TO EQUIPMENT OWNER:**

For your convenience, please record the model and serial numbers of your new equipment in the spaces provided. This information, along with the installation data and dealer contact information will be helpful should your system require maintenance or service.

**FURNACE**

Model # \_\_\_\_\_

Serial # \_\_\_\_\_

**AIR CONDITIONER OR HEAT PUMP**

Model # \_\_\_\_\_

Serial # \_\_\_\_\_

**INDOOR COIL (Furnace Coil or Fan Coil)**

Model # \_\_\_\_\_

Serial # \_\_\_\_\_

**INSTALLATION INFORMATION:**

Date Installed \_\_\_\_\_

**DEALERSHIP CONTACT INFORMATION:**

Company Name \_\_\_\_\_

Address \_\_\_\_\_

\_\_\_\_\_

Phone Number \_\_\_\_\_

Technician Name \_\_\_\_\_

\_\_\_\_\_

\_\_\_\_\_

**NOTE TO INSTALLER:**

This manual must be left with the equipment owner.



