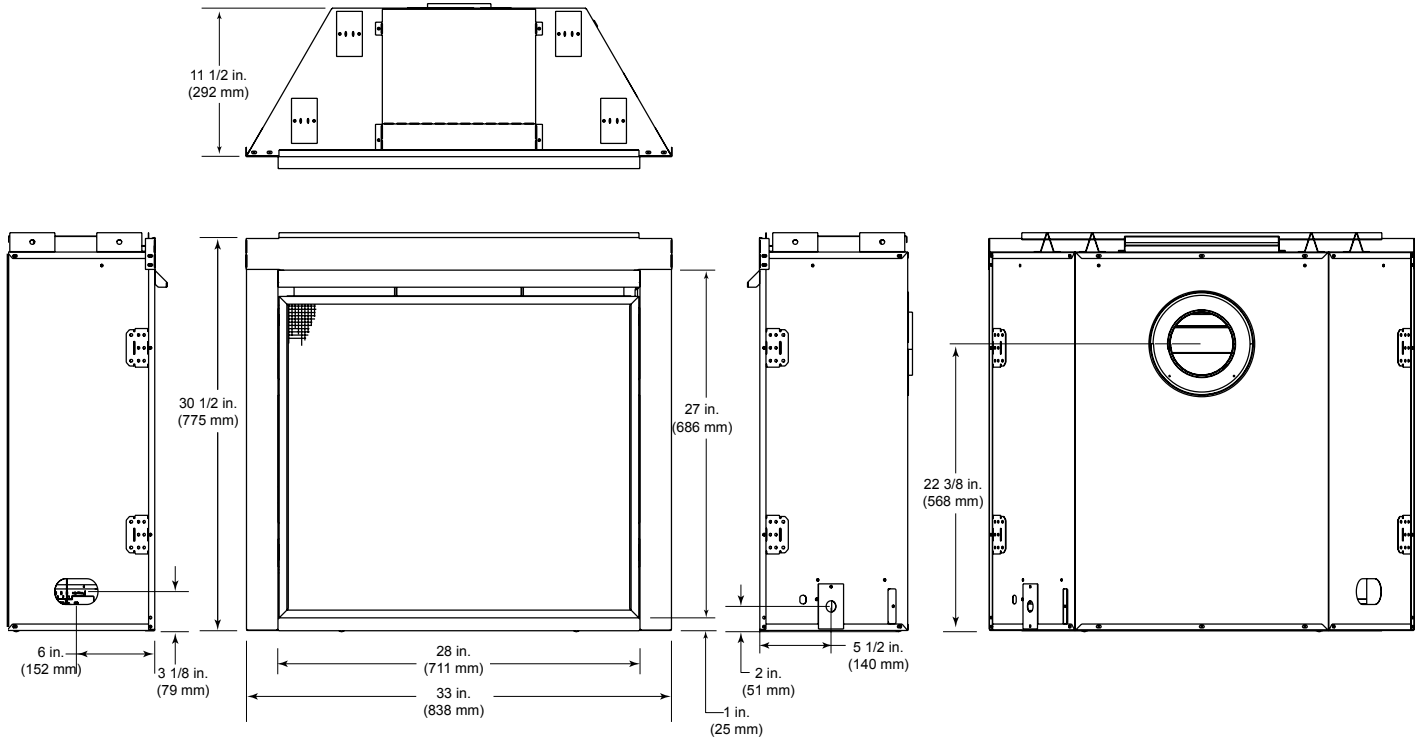




Please consult the manufacturer's installation manual for all details and requirements before making a final design layout decision.

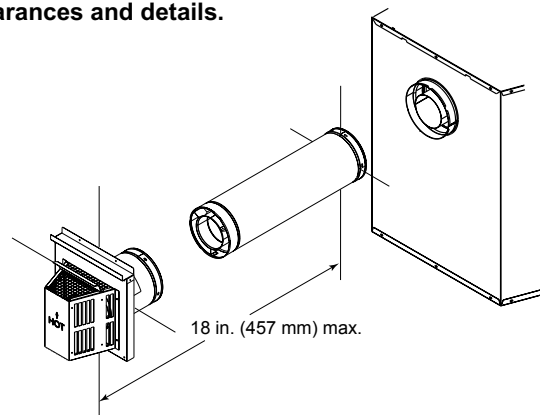
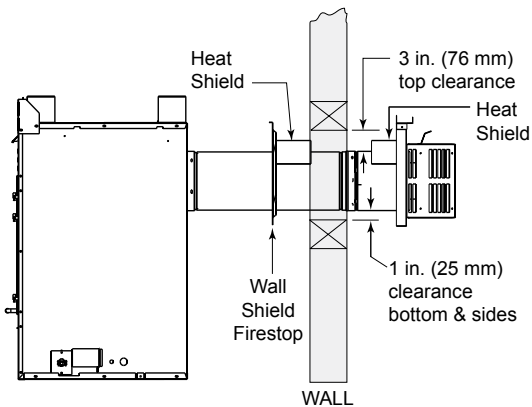
## Aveo - ADVR3428I Rear Direct Vent Gas Fireplace

MODEL	HEIGHT		FRONT WIDTH		BACK WIDTH		DEPTH		VIEWING AREA
	Actual	Framing	Actual	Framing	Actual	Framing	Actual	Framing	
ADVR3428I	31	31-3/4	33	34	19-3/4	34	11-1/2	12	28w x 27h



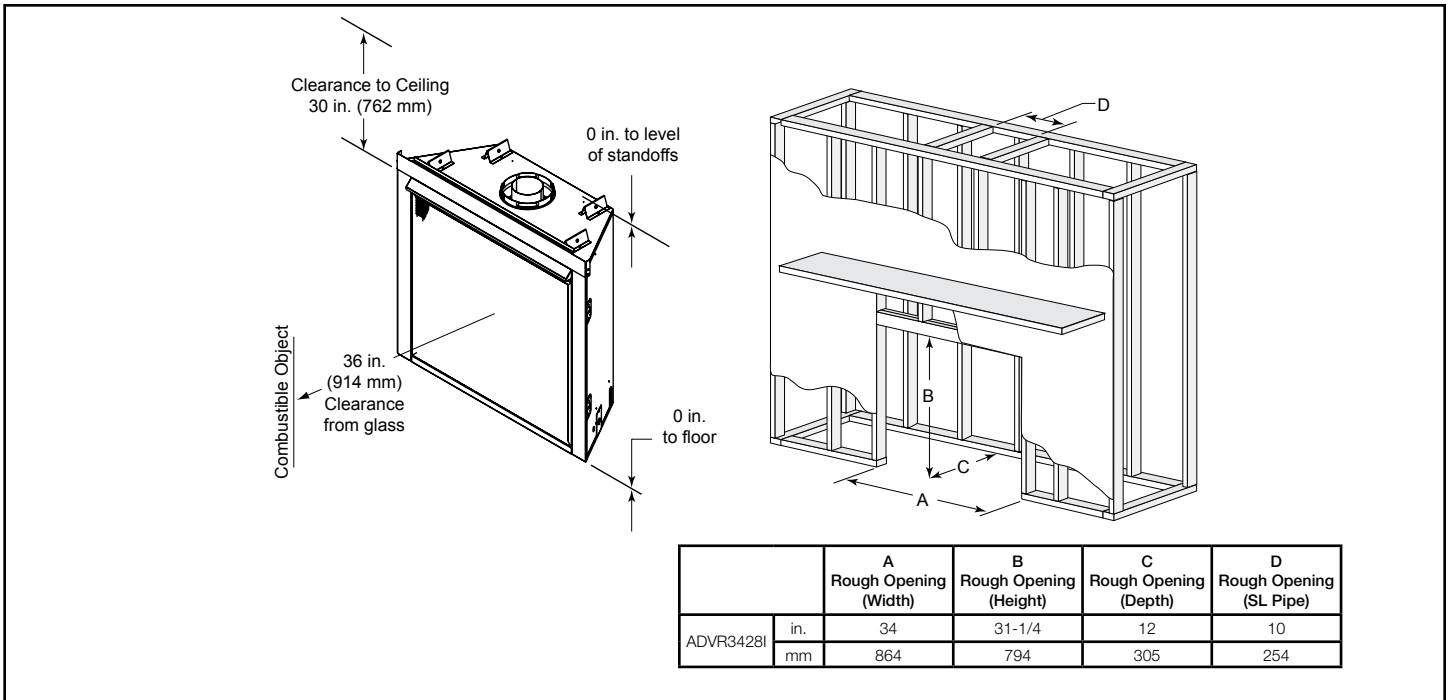
### GUIDELINES FOR HORIZONTAL VENTING

**WARNING!!** Fire Risk.  
Consult installation manual for installation clearances and details.

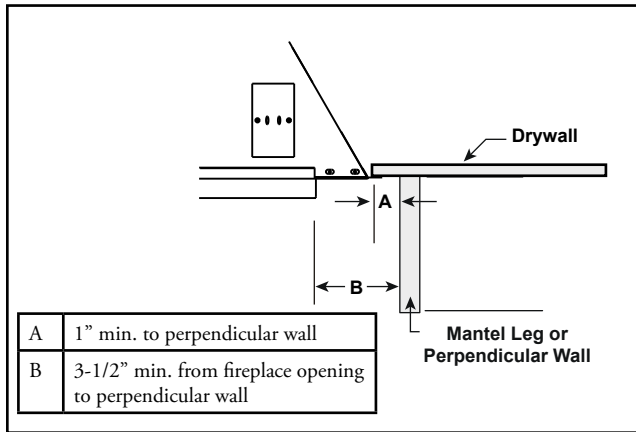


DISCLAIMER: This information is intended for reference only, and is subject to change without notice. Refer to [www.fireplaces.com](http://www.fireplaces.com) to view the installation manual for detailed information, or work with a fireplace dealer when planning and installing this unit.

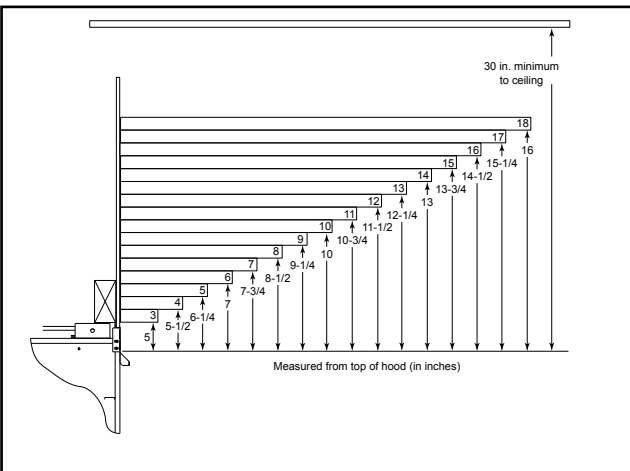
### FRAMING AND APPLIANCE CLEARANCES



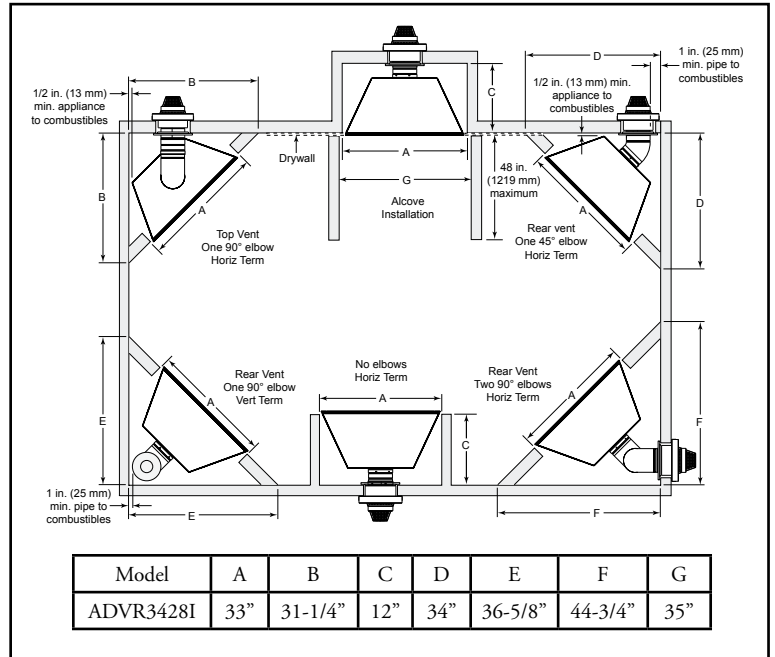
### CLEARANCE TO PERPENDICULAR WALLS



### MANTEL PROJECTIONS



### FIREPLACE LOCATIONS AND DIMENSIONS



#### PRODUCT LISTING CODES

US	ANSI Z21.88-2005
CAN	CSA 2.33-2005
	UL307B

Product information provided is not complete and is subject to change without notice. Product installation must adhere strictly to instructions accompanying product to avoid risk of fire and potential injury.

Additional information can be found online at [www.heatilator.com](http://www.heatilator.com)