



The new degree of comfort.™

## Rheem *Prestige Series*™ Two-Stage Air Conditioners equipped with the *Comfort Control<sup>2</sup> System*™

### RARL-JEC Series

Efficiencies up to 16.5 SEER/13.0 EER

Nominal Sizes 2 to 5 Ton [7.03 to 17.6 kW]

Cooling Capacities 25.2 to 59 kBTU

[7.38 to 17.29 kW]



*“Proper sizing and installation of equipment is critical to achieve optimal performance. Ask your Contractor for details or visit [www.energystar.gov](http://www.energystar.gov).”*

- Industry's lowest profile design: 33" maximum height.
- The *Comfort Control<sup>2</sup> System*™ provides over 32+ on-board diagnostics and fault history codes for condensing units with single-phase compressors by detecting system and electrical problems. The integrated diagnostics with Active Protection™ prevents compressor operation when potentially harmful conditions are detected. Sends “Call for Service” alert notification to the thermostat to alert the homeowner of required service.
- Serial Communication Enhanced – When installed with a Serial Communicating Air Handler (RHPL/RHPN-HM\*\*\*\*JC) and user interface control (RHC-TST501CMMS) Series 500 thermostat this unit offers 4 or 2 wire installation, auto-configuration, and diagnostic messaging with full communicating capability.
- Legacy Enabled – Unit can be conventionally wired using 24VAC with non-communicating Rheem Prestige air-handlers or furnaces with non-communicating thermostat.
- Features a 10-year conditional unit replacement warranty and 10-year parts warranty when properly installed with a new Rheem air handler or Rheem indoor coil with a Rheem gas furnace. See product warranty card for additional information.
- Reliable Two-Stage operation for precise temperature control with On-Demand dehumidification feature. When matched with ECM gas furnace or air-handler, the system adjusts airflow to help control humidity for unsurpassed comfort in the cooling mode.
- All controls are accessible by removing one service panel. Removable top grille provides access to the condenser fan motor and condenser coil.
- Attractive, louvered wrap-around jacket protects the coil from yard hazards and weather extremes. Top grille is steel reinforced for extra strength. Cabinet is powder painted for all weather protection.
- For quiet operation and improved efficiency, all models feature highly optimized fan & motor combinations.
- All models meet or exceed a 1000-hour salt spray test per ASTM B117 Standard Practice for Operating Salt Spray Testing Apparatus.



## TABLE OF CONTENTS

Model Features .....	3
Model Number Identification .....	4
Accessories.....	4
Scroll Compressor .....	4
Performance Data .....	5-28
Electrical & Physical Data .....	29
Unit Dimensions.....	30
Refrigerant Line Size Information .....	31-33
Limited Warranty .....	34

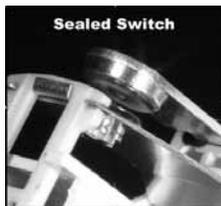
## The Comfort Control<sup>2</sup> System™ Features:

- The Rheem exclusive Dual 7-Segment LED Display easily shows system operating status codes and diagnostic codes.

- A Sealed Switch replaces the standard



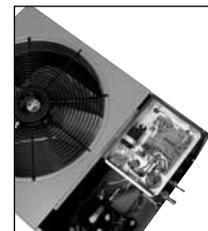
contactor and features optical control and latching mechanism. The sealed switch prevents infiltration of insects and dust. A minimal switching arc, by the optical control, offers greater reliability. The latching mechanism consumes less power while reducing chatter.



- The Status Indication and System Diagnostics feature thermostat communication capability, built-in diagnostics, current sensing and high & low pressure switch monitoring. The thermostat communication capability alerts the homeowner to any necessary service requirements. Faster, more accurate service is provided by the built-in diagnostics, by providing the HVAC professional with dependable information. In addition, high and low pressure-switch monitoring prevents the system from operating outside of its normal parameters.



- The fault recall feature will allow for the last six fault-codes to be displayed, and will retain these codes even if power failure occurs.
- Built-in short-cycle protection allows the compressor to restart easily without oil removal.
- A 30-second minimum run-time for every compressor call allows the oil to return to the compressor.
- *Active Protection* monitors the system to prevent nuisance lockouts and prevents compressor operation when potentially harmful conditions are detected.
- The compressor and fan are controlled independently, which reduces the starting load and light dimming.
- A manual push-button is offered to operate the compressor and fan for 5 seconds to allow for an operation check.
- In order to save time and money, replacement automotive fuses can be utilized instead of replacing the entire control board.

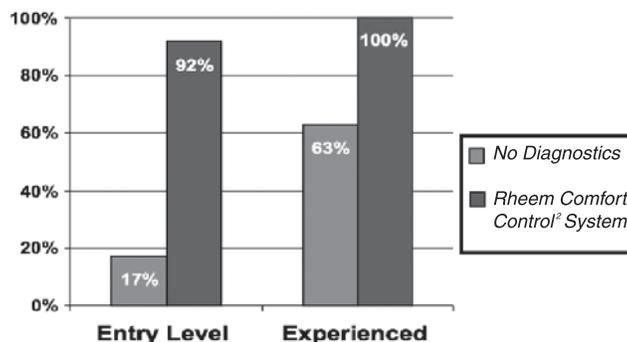


## Standard Features

### RARL- JEC Condensing Units

1. Scroll compressor is hermetically sealed and incorporates internal high temperature motor overload protection, and durable insulation on the motor windings. It is externally mounted on rubber grommets to reduce vibration and noise.
2. Compressors have an internal pressure relief assembly to protect against excessive pressure differential.
3. All refrigerant connections are on the exterior of the unit, located close to the ground for neat appearing installations.
4. Cabinet is constructed of powder painted galvanized steel. The full wrap-around louvered grille protects the coil from damage.
5. Sound Blanket-enhanced compressor sound blanket is standard.
6. Copper tube—aluminum fin coils are used on all models.
7. The control box is located in the top corner of the cabinet providing for easy access through a service panel.
8. Service valves are standard on all models.
9. Field connections for power and control wiring are kept separate.
10. Every unit is factory charged and run-tested.
11. Separate compressor compartment for easy service access.
12. Drawn, painted base pan for extra corrosion resistance and sound reduction.
13. The RARL- JEC has a 10-year limited parts warranty, plus a 10-year conditional unit replacement warranty. Refer to the General Terms of Limited Warranty for details.
14. **Hard Start Kits**—Standard on all JEC models.
15. Control Box Cover.
16. The RARL- JEC is shipped with a liquid line filter drier, and also features factory-installed low and high pressure controls, and time delay control.
17. The 2, 3 and 4 ton models feature an 8-pole motor with a 3-blade outdoor fan. The 5 ton model features the GE® ECM two-speed motor with a 3-blade outdoor fan.

## Problem-Solving Accuracy



## Scroll Two-Stage Ultra Tech™ Compressor

The 2-Stage Scroll UltraTech™ compressor is the key to efficiency for this Rheem model. It's the latest in high-efficiency compressor technology. The advanced scroll compressor offers low noise and vibration characteristics and features tolerance to liquid refrigerant and system contamination. The Scroll UltraTech™ also has low start torque, eliminating start problems in the field. And its unique design enables the RARL- JEC condensing unit to perform efficiently, quietly and reliably.



All controls and compressor are accessible for servicing by removal of the service panel.



## Model Number Identification

<u>R</u>	<u>A</u>	<u>R</u>	<u>L</u>	—	<u>024</u>	<u>J</u>	<u>EC</u>
RHEEM	REMOTE CONDENSING UNIT	16-SEER	DESIGN SERIES		COOLING CAPACITY	ELECTRICAL DESIGNATION	EC = EQUIPPED WITH THE <i>COMFORT</i> <i>CONTROL<sup>2</sup> SYSTEM™</i>
			DESIGN SERIES		025 = 24,000 BTU/HR [7.03 kW] 038 = 36,000 BTU/HR [10.55 kW] 049 = 48,000 BTU/HR [14.07 kW] 061 = 60,000 BTU/HR [17.6 kW]	J = 208/230V-1-60	

## Accessories

- Low Ambient Control (RXAD-A08)
- Crankcase Heater
- Communicating 2 Wire Kit

## Thermostats



**200-Series \***  
Programmable



**300-Series \***  
Deluxe  
Programmable

**400-Series \***  
Special Applications/  
Programmable



**500-Series \***  
Communicating/  
Programmable

Brand	Descriptor (3 Characters)	Series (3 Characters)	System (2 Characters)	Type (2 Characters)
RHC	TST	213	UN	MS
RHC=Rheem	TST=Thermostat	200=Programmable 300=Deluxe Programmable 400=Special Applications/ Programmable 500=Communicating/ Programmable	GE=Gas/Electric UN=Universal (AC/HP/GE) MD=Modulating Furnace DF=Dual Fuel CM=Communicating	SS=Single-Stage MS=Multi-Stage

\* Photos are representative. Actual models may vary.

For detailed thermostat match-up information,  
see specification sheet form number T11-001.

## Important:

The *Comfort Control<sup>2</sup> Systems™* require a communicating  
RHPL/RHPN-HM\*\*\*JC Air Handler and a 500-Series  
Thermostat.

## Scroll® Compressor

The reliable scroll compressor is the key to efficiency for this Rheem model. It's the latest in high-efficiency compressor technology. The advanced scroll compressor offers low noise and vibration characteristics and features tolerance to liquid refrigerant and system contamination. The scroll compressor also has low start torque, reducing start problems in the field. And its unique design enables air conditioners to perform efficiently and quietly.



[ ] Designates Metric Conversions

**Performance Data @ AHRI Standard Conditions—Cooling**

Outdoor Unit RARL-	Model Numbers		Stage	AHRI Cooling Performance 80°F [26.5°C] / 67°F [19.5°C] WB Indoor Air 95°F [35°C] DB Outdoor Air							
				Net Sensible BTU/H [kW]	Net Latent BTU/H [kW]	AHRI Ratings			Indoor Airflow CFM [L/s]	Sound Rating dB	
	ID Coil	ID Air Mover				Total Capacity BTU/H [kW]	SEER	EER			
Rev. 5/8/2012	RCSN-H*2421 ①	RHPN-HM2421	1	16800 [4.9]	4000 [1.2]	25200 [7.4]	16.5	13	575 [271]	71	
			2	18900 [5.5]	6300 [1.8]				825 [389]	74	
1 - dehumid			11400 [3.3]	5000 [1.5]	450 [212]						
2 - dehumid			17100 [5.0]	6700 [2.0]	675 [319]						
025JEC	RCFL-H*2417	RGFE-06?MCK?	1	16000 [4.7]	4200 [1.2]	24800 [7.3]	15.5	12.5	575 [271]	71	
			2	18300 [5.4]	6500 [1.9]				800 [378]	74	
		RGFE-07?MCK?	1	16300 [4.8]	4100 [1.2]	24600 [7.2]	16	13	600 [283]	71	
			2	18100 [5.3]	6500 [1.9]				825 [389]	74	
		RGFG-06?MCK?	1	16000 [4.7]	4200 [1.2]	24800 [7.3]	15.5	12.5	575 [271]	71	
			2	18300 [5.4]	6500 [1.9]				800 [378]	74	
		RGFG-07?MCK?	1	16300 [4.8]	4100 [1.2]	24600 [7.2]	16	12.5	600 [283]	71	
			2	18100 [5.3]	6500 [1.9]				850 [401]	74	
		RGGE-06?MCK?	1	16300 [4.8]	4100 [1.2]	24800 [7.3]	16	13	625 [295]	71	
			2	18300 [5.4]	6500 [1.9]				825 [389]	74	
		RGGE-07?MCK?	1	16000 [4.7]	4200 [1.2]	24800 [7.3]	15.5	12.5	575 [271]	71	
			2	18300 [5.4]	6500 [1.9]				800 [378]	74	
		RGJF-06?MCK?	1	16300 [4.8]	4100 [1.2]	24800 [7.3]	16	13	625 [295]	71	
			2	18300 [5.4]	6500 [1.9]				825 [389]	74	
		RGJF-07?MCK?	1	16000 [4.7]	4200 [1.2]	24800 [7.3]	15.5	12.5	575 [271]	71	
			2	18300 [5.4]	6500 [1.9]				800 [378]	74	
		RGLE-07?AMK?	1	16300 [4.8]	4100 [1.2]	24800 [7.3]	16	13	600 [283]	71	
			2	18300 [5.4]	6500 [1.9]				800 [378]	74	
		RGPE-05?BMK?	1	16000 [4.7]	4200 [1.2]	24800 [7.3]	15.5	12.5	575 [271]	71	
			2	18300 [5.4]	6500 [1.9]				800 [378]	74	
		RGPE-07?AMK?	1	16300 [4.8]	4100 [1.2]	24800 [7.3]	16	13	625 [295]	71	
			2	18300 [5.4]	6500 [1.9]				825 [389]	74	
		RGRM-04?MAE?	1	15800 [4.6]	4200 [1.2]	24600 [7.2]	15.5	12.5	575 [271]	71	
			2	18100 [5.3]	6500 [1.9]				800 [378]	74	
		RGRM-06?MAE?	1	16300 [4.8]	4100 [1.2]	24600 [7.2]	16	12.5	600 [283]	71	
			2	18100 [5.3]	6500 [1.9]				825 [389]	74	
		RGRM-07?MAE?	1	16300 [4.8]	4100 [1.2]	24400 [7.1]	15.5	12.5	625 [295]	71	
			2	17900 [5.2]	6500 [1.9]				850 [401]	74	
		RGTM-06?MAE?	1	17200 [5.0]	3800 [1.1]	24600 [7.2]	15.5	12.5	750 [354]	71	
			2	18100 [5.3]	6500 [1.9]				825 [389]	74	
		ROCA-070E03	1	16300 [4.8]	4100 [1.2]	24800 [7.3]	16	13	600 [283]	71	
			2	18300 [5.4]	6500 [1.9]				800 [378]	74	
		ROLA-070E03	1	16300 [4.8]	4100 [1.2]	24800 [7.3]	15.5	12.5	600 [283]	71	
			2	18300 [5.4]	6500 [1.9]				800 [378]	74	
		RCFL-H*2417+RXMD-C06	Coil Only	1	15800 [4.6]	4100 [1.2]	24200 [7.1]	14	11.5	625 [295]	71
				2	17700 [5.2]	6500 [1.9]				825 [389]	74
		RCFL-H*2617	RGFE-06?MCK?	1	16400 [4.8]	4200 [1.2]	25600 [7.5]	16.5	13	575 [271]	71
				2	18900 [5.5]	6700 [2.0]				800 [378]	74
			RGFE-07?MCK?	1	16900 [5.0]	4100 [1.2]	25600 [7.5]	16.5	13	600 [283]	71
				2	18900 [5.5]	6700 [2.0]				825 [389]	74
			RGFG-06?MCK?	1	16400 [4.8]	4200 [1.2]	25600 [7.5]	16.5	13	575 [271]	71
				2	18900 [5.5]	6700 [2.0]				800 [378]	74

① Highest sales volume tested combination required by D.O.E. test procedures.

[ ] Designates Metric Conversions

### Performance Data @ AHRI Standard Conditions—Cooling

Outdoor Unit RARL-	Model Numbers		Stage	AHRI Cooling Performance 80°F [26.5°C] / 67°F [19.5°C] WB Indoor Air 95°F [35°C] DB Outdoor Air						
				Net Sensible BTU/H [kW]	Net Latent BTU/H [kW]	AHRI Ratings			Indoor Airflow CFM [L/s]	Sound Rating dB
	ID Coil	ID Air Mover				Total Capacity BTU/H [kW]	SEER	EER		
Rev. 5/8/2012	RCFL-H*2617	RGFG-07?MCK?	1	16900 [5.0]	4100 [1.2]	25600 [7.5]	16.5	13	600 [283]	71
			2	18900 [5.5]	6700 [2.0]				850 [401]	74
RGGE-06?MCK?		1	16900 [5.0]	4100 [1.2]	25600 [7.5]	16.5	13	625 [295]	71	
		2	18900 [5.5]	6700 [2.0]				825 [389]	74	
RGGE-07?MCK?		1	16400 [4.8]	4200 [1.2]	25600 [7.5]	16.5	13	575 [271]	71	
		2	18900 [5.5]	6700 [2.0]				800 [378]	74	
RGJF-06?MCK?		1	16900 [5.0]	4100 [1.2]	25600 [7.5]	16.5	13	625 [295]	71	
		2	18900 [5.5]	6700 [2.0]				825 [389]	74	
RGJF-07?MCK?		1	16400 [4.8]	4200 [1.2]	25600 [7.5]	16.5	13	575 [271]	71	
		2	18900 [5.5]	6700 [2.0]				800 [378]	74	
RGLE-07?AMK?		1	16900 [5.0]	4100 [1.2]	25600 [7.5]	16.5	13	600 [283]	71	
		2	18900 [5.5]	6700 [2.0]				800 [378]	74	
RGPE-05?BMK?		1	16400 [4.8]	4200 [1.2]	25600 [7.5]	16.5	13	575 [271]	71	
		2	18900 [5.5]	6700 [2.0]				800 [378]	74	
RGPE-07?AMK?		1	16900 [5.0]	4100 [1.2]	25600 [7.5]	16.5	13	625 [295]	71	
		2	18900 [5.5]	6700 [2.0]				825 [389]	74	
RGRM-04?MAE?		1	16400 [4.8]	4200 [1.2]	25600 [7.5]	16	13	575 [271]	71	
		2	18900 [5.5]	6700 [2.0]				800 [378]	74	
RGRM-06?MAE?		1	16900 [5.0]	4100 [1.2]	25600 [7.5]	16.5	13	600 [283]	71	
		2	18900 [5.5]	6700 [2.0]				825 [389]	74	
RGRM-07?MAE?		1	16700 [4.9]	4100 [1.2]	25400 [7.4]	16	13	625 [295]	71	
		2	18700 [5.5]	6700 [2.0]				850 [401]	74	
RGTM-06?MAE?		1	17800 [5.2]	3800 [1.1]	25600 [7.5]	16	13	750 [354]	71	
		2	18900 [5.5]	6700 [2.0]				825 [389]	74	
ROCA-070E03		1	16900 [5.0]	4100 [1.2]	25600 [7.5]	16.5	13	600 [283]	71	
		2	18900 [5.5]	6700 [2.0]				800 [378]	74	
ROLA-070E03		1	16900 [5.0]	4100 [1.2]	25600 [7.5]	16.5	13	600 [283]	71	
		2	18900 [5.5]	6700 [2.0]				800 [378]	74	
RCFL-H*2617+RXMD-C06	Coil Only	1	16300 [4.8]	4100 [1.2]	25000 [7.3]	14.5	12	625 [295]	71	
		2	18300 [5.4]	6700 [2.0]				825 [389]	74	
025JEC	RCFL-H*2621	RGFE-06?MCK?	1	16200 [4.7]	4200 [1.2]	25400 [7.4]	16.5	13	575 [271]	71
			2	18900 [5.5]	6500 [1.9]				800 [378]	74
		RGFE-07?MCK?	1	16800 [4.9]	4000 [1.2]	25400 [7.4]	16.5	13	600 [283]	71
			2	18900 [5.5]	6500 [1.9]				825 [389]	74
		RGFG-06?MCK?	1	16200 [4.7]	4200 [1.2]	25400 [7.4]	16.5	13	575 [271]	71
			2	18900 [5.5]	6500 [1.9]				800 [378]	74
		RGFG-07?MCK?	1	16800 [4.9]	4000 [1.2]	25200 [7.4]	16.5	13	600 [283]	71
			2	18700 [5.5]	6500 [1.9]				850 [401]	74
		RGGE-06?MCK?	1	16800 [4.9]	4000 [1.2]	25400 [7.4]	16.5	13	625 [295]	71
			2	18900 [5.5]	6500 [1.9]				825 [389]	74
		RGGE-07?MCK?	1	16400 [4.8]	4200 [1.2]	25400 [7.4]	16.5	13	575 [271]	71
			2	18900 [5.5]	6500 [1.9]				800 [378]	74
		RGJF-06?MCK?	1	16800 [4.9]	4000 [1.2]	25400 [7.4]	16.5	13	625 [295]	71
			2	18900 [5.5]	6500 [1.9]				825 [389]	74
		RGJF-07?MCK?	1	16400 [4.8]	4200 [1.2]	25400 [7.4]	16.5	13	575 [271]	71
			2	18900 [5.5]	6500 [1.9]				800 [378]	74

① Highest sales volume tested combination required by D.O.E. test procedures.

[ ] Designates Metric Conversions

## Performance Data @ AHRI Standard Conditions—Cooling

Outdoor Unit RARL-	Model Numbers		Stage	AHRI Cooling Performance 80°F [26.5°C] / 67°F [19.5°C] WB Indoor Air 95°F [35°C] DB Outdoor Air							
				Net Sensible BTU/H [kW]	Net Latent BTU/H [kW]	AHRI Ratings			Indoor Airflow CFM [L/s]	Sound Rating dB	
	Total Capacity BTU/H [kW]	SEER				EER					
	ID Coil	ID Air Mover									
Rev. 5/8/2012	RCFL-H*2621	RGLE-07?AMK?	1	16800 [4.9]	4000 [1.2]	25400 [7.4]	16.5	13	600 [283]	71	
			2	18900 [5.5]	6500 [1.9]				800 [378]	74	
		RGPE-05?BMK?	1	16400 [4.8]	4200 [1.2]	25400 [7.4]	16.5	13	575 [271]	71	
			2	18900 [5.5]	6500 [1.9]				800 [378]	74	
		RGPE-07?AMK?	1	16800 [4.9]	4000 [1.2]	25400 [7.4]	16.5	13	625 [295]	71	
			2	18900 [5.5]	6500 [1.9]				825 [389]	74	
		RGRM-04?MAE?	1	16200 [4.7]	4200 [1.2]	25200 [7.4]	16.5	13	575 [271]	71	
			2	18700 [5.5]	6500 [1.9]				800 [378]	74	
		RGRM-06?MAE?	1	16800 [4.9]	4000 [1.2]	25200 [7.4]	16.5	13	600 [283]	71	
			2	18700 [5.5]	6500 [1.9]				825 [389]	74	
		RGRM-07?MAE?	1	16800 [4.9]	4000 [1.2]	25200 [7.4]	16	13	625 [295]	71	
			2	18700 [5.5]	6500 [1.9]				850 [401]	74	
		RGTM-06?MAE?	1	17700 [5.2]	3700 [1.1]	25400 [7.4]	16.5	13	750 [354]	71	
			2	18900 [5.5]	6500 [1.9]				825 [389]	74	
		ROCA-070E03	1	16800 [4.9]	4000 [1.2]	25400 [7.4]	16.5	13	600 [283]	71	
			2	18900 [5.5]	6500 [1.9]				800 [378]	74	
		ROLA-070E03	1	16800 [4.9]	4000 [1.2]	25400 [7.4]	16.5	13	600 [283]	71	
			2	18900 [5.5]	6500 [1.9]				800 [378]	74	
		RCFL-H*2621+RXMD-C06	Coil Only	1	16200 [4.7]	4000 [1.2]	24800 [7.3]	14.5	12	625 [295]	71
				2	18300 [5.4]	6500 [1.9]				825 [389]	74
	025JEC	RCFN-H*2417	RGFE-06?MCK?	1	16800 [4.9]	4000 [1.2]	25000 [7.3]	16.5	13	575 [271]	71
				2	18700 [5.5]	6300 [1.8]				800 [378]	74
			RGFE-07?MCK?	1	16800 [4.9]	4000 [1.2]	25000 [7.3]	16.5	13	600 [283]	71
				2	18700 [5.5]	6300 [1.8]				825 [389]	74
			RGFG-06?MCK?	1	16800 [4.9]	4000 [1.2]	25000 [7.3]	16.5	13	575 [271]	71
				2	18700 [5.5]	6300 [1.8]				800 [378]	74
RGFG-07?MCK?			1	16800 [4.9]	4000 [1.2]	25000 [7.3]	16	13	600 [283]	71	
			2	18700 [5.5]	6300 [1.8]				850 [401]	74	
RGGE-06?MCK?			1	17300 [5.1]	3900 [1.1]	25200 [7.4]	16.5	13	625 [295]	71	
			2	18900 [5.5]	6300 [1.8]				825 [389]	74	
RGGE-07?MCK?			1	16800 [4.9]	4000 [1.2]	25000 [7.3]	16.5	13	575 [271]	71	
			2	18700 [5.5]	6300 [1.8]				800 [378]	74	
RGJF-06?MCK?			1	17300 [5.1]	3900 [1.1]	25200 [7.4]	16.5	13	625 [295]	71	
			2	18900 [5.5]	6300 [1.8]				825 [389]	74	
RGJF-07?MCK?			1	16800 [4.9]	4000 [1.2]	25000 [7.3]	16.5	13	575 [271]	71	
			2	18700 [5.5]	6300 [1.8]				800 [378]	74	
RGLE-07?AMK?			1	16800 [4.9]	4000 [1.2]	25200 [7.4]	16.5	13	600 [283]	71	
			2	18900 [5.5]	6300 [1.8]				800 [378]	74	
RGPE-05?BMK?			1	16800 [4.9]	4000 [1.2]	25200 [7.4]	16.5	13	575 [271]	71	
			2	18900 [5.5]	6300 [1.8]				800 [378]	74	
RGPE-07?AMK?		1	17300 [5.1]	3900 [1.1]	25200 [7.4]	16.5	13	625 [295]	71		
		2	18900 [5.5]	6300 [1.8]				825 [389]	74		
RGRM-04?MAE?		1	16800 [4.9]	4000 [1.2]	25000 [7.3]	16.5	13	575 [271]	71		
		2	18700 [5.5]	6300 [1.8]				800 [378]	74		
RGRM-06?MAE?		1	16800 [4.9]	4000 [1.2]	25000 [7.3]	16.5	13	600 [283]	71		
		2	18700 [5.5]	6300 [1.8]				825 [389]	74		

① Highest sales volume tested combination required by D.O.E. test procedures.

[ ] Designates Metric Conversions

## Performance Data @ AHRI Standard Conditions—Cooling

Outdoor Unit RARL-	Model Numbers		Stage	AHRI Cooling Performance 80°F [26.5°C] / 67°F [19.5°C] WB Indoor Air 95°F [35°C] DB Outdoor Air							
				Net Sensible BTU/H [kW]	Net Latent BTU/H [kW]	AHRI Ratings			Indoor Airflow CFM [L/s]	Sound Rating dB	
	ID Coil	ID Air Mover				Total Capacity BTU/H [kW]	SEER	EER			
Rev. 5/8/2012	RCFN-H*2417	RGRM-07?MAE?	1	17100 [5.0]	3900 [1.1]	24800 [7.3]	16	12.5	625 [295]	71	
			2	18500 [5.4]	6300 [1.8]				850 [401]	74	
RGTM-06?MAE?		1	18200 [5.3]	3600 [1.1]	25000 [7.3]	16.5	13	750 [354]	71		
		2	18700 [5.5]	6300 [1.8]				825 [389]	74		
ROCA-070E03		1	16800 [4.9]	4000 [1.2]	25200 [7.4]	16.5	13	600 [283]	71		
		2	18900 [5.5]	6300 [1.8]				800 [378]	74		
ROLA-070E03		1	16800 [4.9]	4000 [1.2]	25200 [7.4]	16.5	13	600 [283]	71		
		2	18900 [5.5]	6300 [1.8]				800 [378]	74		
RCFN-H*2417+RXMD-C06		Coil Only	1	16700 [4.9]	3900 [1.1]	24600 [7.2]	14	12	625 [295]	71	
			2	18300 [5.4]	6300 [1.8]				825 [389]	74	
025JEC	RCFN-H*2421	RGFE-06?MCK?	1	16800 [4.9]	4000 [1.2]	25000 [7.3]	16.5	13	575 [271]	71	
			2	18700 [5.5]	6300 [1.8]				800 [378]	74	
		RGFE-07?MCK?	1	16800 [4.9]	4000 [1.2]	25000 [7.3]	16.5	13	600 [283]	71	
			2	18700 [5.5]	6300 [1.8]				825 [389]	74	
		RGFG-06?MCK?	1	16800 [4.9]	4000 [1.2]	25000 [7.3]	16.5	13	575 [271]	71	
			2	18700 [5.5]	6300 [1.8]				800 [378]	74	
		RGFG-07?MCK?	1	16800 [4.9]	4000 [1.2]	25000 [7.3]	16	13	600 [283]	71	
			2	18700 [5.5]	6300 [1.8]				850 [401]	74	
		RGGE-06?MCK?	1	17300 [5.1]	3900 [1.1]	25200 [7.4]	16.5	13	625 [295]	71	
			2	18900 [5.5]	6300 [1.8]				825 [389]	74	
		RGGE-07?MCK?	1	16800 [4.9]	4000 [1.2]	25200 [7.4]	16.5	13	575 [271]	71	
			2	18900 [5.5]	6300 [1.8]				800 [378]	74	
		RGJF-06?MCK?	1	17300 [5.1]	3900 [1.1]	25200 [7.4]	16.5	13	625 [295]	71	
			2	18900 [5.5]	6300 [1.8]				825 [389]	74	
		RGJF-07?MCK?	1	16800 [4.9]	4000 [1.2]	25200 [7.4]	16.5	13	575 [271]	71	
			2	18900 [5.5]	6300 [1.8]				800 [378]	74	
		RGLE-07?AMK?	1	16800 [4.9]	4000 [1.2]	25200 [7.4]	16.5	13	600 [283]	71	
			2	18900 [5.5]	6300 [1.8]				800 [378]	74	
		RGPE-05?BMK?	1	16800 [4.9]	4000 [1.2]	25200 [7.4]	16.5	13	575 [271]	71	
			2	18900 [5.5]	6300 [1.8]				800 [378]	74	
		RGPE-07?AMK?	1	17300 [5.1]	3900 [1.1]	25200 [7.4]	16.5	13	625 [295]	71	
			2	18900 [5.5]	6300 [1.8]				825 [389]	74	
		RGRM-04?MAE?	1	16800 [4.9]	4000 [1.2]	25000 [7.3]	16.5	13	575 [271]	71	
			2	18700 [5.5]	6300 [1.8]				800 [378]	74	
		RGRM-06?MAE?	1	16800 [4.9]	4000 [1.2]	25000 [7.3]	16.5	13	600 [283]	71	
			2	18700 [5.5]	6300 [1.8]				825 [389]	74	
		RGRM-07?MAE?	1	17100 [5.0]	3900 [1.1]	24800 [7.3]	16	12.5	625 [295]	71	
			2	18500 [5.4]	6300 [1.8]				850 [401]	74	
		RGTM-06?MAE?	1	18200 [5.3]	3600 [1.1]	25000 [7.3]	16.5	13	750 [354]	71	
			2	18700 [5.5]	6300 [1.8]				825 [389]	74	
		ROCA-070E03	1	16800 [4.9]	4000 [1.2]	25200 [7.4]	16.5	13	600 [283]	71	
			2	18900 [5.5]	6300 [1.8]				800 [378]	74	
		ROLA-070E03	1	16800 [4.9]	4000 [1.2]	25200 [7.4]	16.5	13	600 [283]	71	
			2	18900 [5.5]	6300 [1.8]				800 [378]	74	
		RCFN-H*2421+RXMD-C06	Coil Only	1	16700 [4.9]	3900 [1.1]	24600 [7.2]	14	12	625 [295]	71
				2	18300 [5.4]	6300 [1.8]				825 [389]	74

① Highest sales volume tested combination required by D.O.E. test procedures.

[ ] Designates Metric Conversions



# Performance Data @ AHRI Standard Conditions—Cooling

Outdoor Unit RARL-	Model Numbers		Stage	AHRI Cooling Performance 80°F [26.5°C] / 67°F [19.5°C] WB Indoor Air 95°F [35°C] DB Outdoor Air						
				Net Sensible BTU/H [kW]	Net Latent BTU/H [kW]	AHRI Ratings			Indoor Airflow CFM [L/s]	Sound Rating dB
	ID Coil	ID Air Mover				Total Capacity BTU/H [kW]	SEER	EER		
Rev. 5/8/2012	RCFL-H*3617	RGGE-06?MCK?	1	17900 [5.2]	9700 [2.8]	34200 [10.0]	14.5	11.5	725 [342]	71
			2	22600 [6.6]	11600 [3.4]				1025 [484]	72
		RGGE-07?MCK?	1	18200 [5.3]	9600 [2.8]	34000 [10.0]	14.5	11.5	750 [354]	71
			2	22400 [6.6]	11600 [3.4]				1025 [484]	72
		RGJF-06?MCK?	1	17900 [5.2]	9700 [2.8]	34200 [10.0]	14.5	11.5	725 [342]	71
			2	22600 [6.6]	11600 [3.4]				1025 [484]	72
		RGJF-07?MCK?	1	18200 [5.3]	9600 [2.8]	34000 [10.0]	14.5	11.5	750 [354]	71
			2	22400 [6.6]	11600 [3.4]				1025 [484]	72
		RGLE-07?AMK?	1	18200 [5.3]	9600 [2.8]	34200 [10.0]	14.5	12	750 [354]	71
			2	22600 [6.6]	11600 [3.4]				1025 [484]	72
		RGPE-05?BMK?	1	19500 [5.7]	9100 [2.7]	34600 [10.1]	14	11	900 [425]	71
			2	23700 [6.9]	10900 [3.2]				1200 [566]	72
		RGPE-07?AMK?	1	17900 [5.2]	9700 [2.8]	34000 [10.0]	14.5	11.5	725 [342]	71
			2	22300 [6.5]	11700 [3.4]				1000 [472]	72
		RGRM-04?MAE?	1	18000 [5.3]	9600 [2.8]	34000 [10.0]	14	11.5	750 [354]	71
			2	22400 [6.6]	11600 [3.4]				1025 [484]	72
		RGRM-06?MAE?	1	18200 [5.3]	9600 [2.8]	33800 [9.9]	14	11.5	775 [366]	71
			2	22100 [6.5]	11700 [3.4]				1000 [472]	72
		RGRM-07?MAE?	1	18300 [5.4]	9500 [2.8]	33800 [9.9]	14	11	800 [378]	71
			2	22200 [6.5]	11600 [3.4]				1025 [484]	72
		RGTM-06?MAE?	1	19500 [5.7]	9100 [2.7]	34000 [10.0]	14	11.5	900 [425]	71
			2	22400 [6.6]	11600 [3.4]				1025 [484]	72
		ROCA-070E03	1	18500 [5.4]	9500 [2.8]	34000 [10.0]	14.5	12	800 [378]	71
			2	22300 [6.5]	11700 [3.4]				1000 [472]	72
		ROCA-070E04	1	18500 [5.4]	9500 [2.8]	34000 [10.0]	14.5	12	800 [378]	71
			2	22300 [6.5]	11700 [3.4]				1000 [472]	72
ROLA-070E03	1	19500 [5.7]	9100 [2.7]	34800 [10.2]	14.5	11.5	900 [425]	71		
	2	23800 [7.0]	11000 [3.2]				1175 [554]	72		
ROLA-070E04	1	19500 [5.7]	9100 [2.7]	34800 [10.2]	14.5	11.5	900 [425]	71		
	2	23800 [7.0]	11000 [3.2]				1175 [554]	72		
RCFL-H*3617+RXMD-C06	Coil Only	1	18900 [5.5]	9100 [2.7]	34200 [10.0]	13	11	925 [437]	71	
		2	23000 [6.7]	11200 [3.3]				1075 [507]	72	
RCFL-H*3621	RGFE-06?MCK?	1	18900 [5.5]	9300 [2.7]	34400 [10.1]	14	11	875 [413]	71	
		2	23500 [6.9]	10900 [3.2]				1200 [566]	72	
	RGFE-07?MCK?	1	18900 [5.5]	9300 [2.7]	34400 [10.1]	14	11	875 [413]	71	
		2	23600 [6.9]	10800 [3.2]				1225 [578]	72	
	RGFE-09?ZCM?	1	19100 [5.6]	9300 [2.7]	34800 [10.2]	14.5	11.5	875 [413]	71	
		2	23900 [7.0]	10900 [3.2]				1200 [566]	72	
	RGFE-10?ZCM?	1	19500 [5.7]	9100 [2.7]	34800 [10.2]	14.5	11.5	900 [425]	71	
		2	24000 [7.0]	10800 [3.2]				1225 [578]	72	
	RGFG-06?MCK?	1	18900 [5.5]	9300 [2.7]	34400 [10.1]	14	11	875 [413]	71	
		2	23500 [6.9]	10900 [3.2]				1200 [566]	72	
	RGFG-07?MCK?	1	18500 [5.4]	9500 [2.8]	33800 [9.9]	14.5	11.5	800 [378]	71	
		2	22100 [6.5]	11700 [3.4]				1000 [472]	72	
	RGFG-09?ZCM?	1	19100 [5.6]	9300 [2.7]	34800 [10.2]	14.5	11.5	875 [413]	71	
		2	23900 [7.0]	10900 [3.2]				1200 [566]	72	

① Highest sales volume tested combination required by D.O.E. test procedures.

[ ] Designates Metric Conversions



## Performance Data @ AHRI Standard Conditions—Cooling

Outdoor Unit RARL-	Model Numbers		Stage	AHRI Cooling Performance 80°F [26.5°C] / 67°F [19.5°C] WB Indoor Air 95°F [35°C] DB Outdoor Air						
				Net Sensible BTU/H [kW]	Net Latent BTU/H [kW]	AHRI Ratings			Indoor Airflow CFM [L/s]	Sound Rating dB
	ID Coil	ID Air Mover				Total Capacity BTU/H [kW]	SEER	EER		
Rev. 5/8/2012	RCFL-H*3621	ROCA-070E03	1	18500 [5.4]	9500 [2.8]	34200 [10.0]	14.5	12	800 [378]	71
			2	22500 [6.6]	11700 [3.4]				1000 [472]	72
ROCA-070E04		1	18500 [5.4]	9500 [2.8]	34200 [10.0]	14.5	12	800 [378]	71	
		2	22500 [6.6]	11700 [3.4]				1000 [472]	72	
ROLA-070E03		1	19500 [5.7]	9100 [2.7]	34800 [10.2]	14.5	11.5	900 [425]	71	
		2	23800 [7.0]	11000 [3.2]				1175 [554]	72	
ROLA-070E04		1	19500 [5.7]	9100 [2.7]	34800 [10.2]	14.5	11.5	900 [425]	71	
		2	23800 [7.0]	11000 [3.2]				1175 [554]	72	
ROLA-115E05		1	19500 [5.7]	9100 [2.7]	35000 [10.3]	14.5	12	900 [425]	71	
		2	24100 [7.1]	10900 [3.2]				1200 [566]	72	
RCFL-H*3621+RXMD-C06		Coil Only	1	18900 [5.5]	9100 [2.7]	34200 [10.0]	13	11	925 [437]	71
			2	23000 [6.7]	11200 [3.3]				1125 [531]	72
038JEC	RCFL-H*3821	RGFE-06?MCK?	1	17800 [5.2]	10000 [2.9]	34600 [10.1]	14.5	12	725 [342]	71
			2	22700 [6.7]	11900 [3.5]				1000 [472]	72
		RGFE-07?MCK?	1	17800 [5.2]	10000 [2.9]	34600 [10.1]	14.5	12	725 [342]	71
			2	22800 [6.7]	11800 [3.5]				1025 [484]	72
		RGFE-09?ZCM?	1	19000 [5.6]	9600 [2.8]	35400 [10.4]	15	12	875 [413]	71
			2	24300 [7.1]	11100 [3.3]				1200 [566]	72
		RGFE-10?ZCM?	1	19600 [5.7]	9400 [2.8]	35600 [10.4]	15	12	900 [425]	71
			2	24600 [7.2]	11000 [3.2]				1225 [578]	72
		RGFG-06?MCK?	1	17800 [5.2]	10000 [2.9]	34600 [10.1]	14.5	12	725 [342]	71
			2	22700 [6.7]	11900 [3.5]				1000 [472]	72
		RGFG-07?MCK?	1	18400 [5.4]	9800 [2.9]	34400 [10.1]	14.5	12	800 [378]	71
			2	22500 [6.6]	11900 [3.5]				1000 [472]	72
		RGFG-09?ZCM?	1	19000 [5.6]	9600 [2.8]	35400 [10.4]	15	12	875 [413]	71
			2	24300 [7.1]	11100 [3.3]				1200 [566]	72
		RGFG-10?ZCM?	1	19600 [5.7]	9400 [2.8]	35400 [10.4]	15	12	900 [425]	71
			2	24300 [7.1]	11100 [3.3]				1200 [566]	72
		RGGE-06?MCK?	1	17800 [5.2]	10000 [2.9]	34800 [10.2]	14.5	12	725 [342]	71
			2	23000 [6.7]	11800 [3.5]				1025 [484]	72
		RGGE-07?MCK?	1	18100 [5.3]	9900 [2.9]	34600 [10.1]	14.5	12	750 [354]	71
			2	22800 [6.7]	11800 [3.5]				1025 [484]	72
		RGGE-09?ZCM?	1	19000 [5.6]	9600 [2.8]	35600 [10.4]	15	12	875 [413]	71
			2	24600 [7.2]	11000 [3.2]				1225 [578]	72
		RGGE-10?ZCM?	1	19000 [5.6]	9600 [2.8]	35400 [10.4]	14.5	12	875 [413]	71
			2	24300 [7.1]	11100 [3.3]				1200 [566]	72
		RGJF-06?MCK?	1	17800 [5.2]	10000 [2.9]	34800 [10.2]	14.5	12	725 [342]	71
			2	23000 [6.7]	11800 [3.5]				1025 [484]	72
		RGJF-07?MCK?	1	18100 [5.3]	9900 [2.9]	34600 [10.1]	14.5	12	750 [354]	71
			2	22800 [6.7]	11800 [3.5]				1025 [484]	72
		RGJF-09?ZCM?	1	19000 [5.6]	9600 [2.8]	35800 [10.5]	15	12	875 [413]	71
			2	24800 [7.3]	11000 [3.2]				1225 [578]	72
		RGJF-10?ZCM?	1	19000 [5.6]	9600 [2.8]	35600 [10.4]	14.5	12	875 [413]	71
			2	24500 [7.2]	11100 [3.3]				1200 [566]	72
		RGL-07?AMK?	1	18100 [5.3]	9900 [2.9]	34800 [10.2]	15	12	750 [354]	71
			2	23000 [6.7]	11800 [3.5]				1025 [484]	72

① Highest sales volume tested combination required by D.O.E. test procedures.

[ ] Designates Metric Conversions





## Performance Data @ AHRI Standard Conditions—Cooling

Outdoor Unit RARL-	Model Numbers		Stage	AHRI Cooling Performance 80°F [26.5°C] / 67°F [19.5°C] WB Indoor Air 95°F [35°C] DB Outdoor Air						
				Net Sensible BTU/H [kW]	Net Latent BTU/H [kW]	AHRI Ratings			Indoor Airflow CFM [L/s]	Sound Rating dB
	ID Coil	ID Air Mover				Total Capacity BTU/H [kW]	SEER	EER		
Rev. 5/8/2012	RCFL-H*3824	ROCA-070E03	1	18400 [5.4]	9800 [2.9]	34600 [10.1]	15	12	800 [378]	71
			2	22700 [6.7]	11900 [3.5]				1000 [472]	72
ROCA-070E04		1	18400 [5.4]	9800 [2.9]	34600 [10.1]	15	12	800 [378]	71	
		2	22700 [6.7]	11900 [3.5]				1000 [472]	72	
ROLA-070E03		1	19600 [5.7]	9400 [2.8]	35400 [10.4]	15	12	900 [425]	71	
		2	24200 [7.1]	11200 [3.3]				1175 [554]	72	
ROLA-070E04		1	19600 [5.7]	9400 [2.8]	35400 [10.4]	15	12	900 [425]	71	
		2	24200 [7.1]	11200 [3.3]				1175 [554]	72	
ROLA-115E05		1	19600 [5.7]	9400 [2.8]	35600 [10.4]	15	12	900 [425]	71	
		2	24500 [7.2]	11100 [3.3]				1200 [566]	72	
RCFL-H*3824+RXMD-C06		Coil Only	1	18800 [5.5]	9400 [2.8]	34800 [10.2]	13	11.5	925 [437]	71
			2	23400 [6.9]	11400 [3.3]				1125 [531]	72
038JEC	RCFN-H*3624	RGFE-06?MCK?	1	20300 [5.9]	9300 [2.7]	37200 [10.9]	16	12.5	725 [342]	71
			2	26100 [7.6]	11100 [3.3]				1000 [472]	72
		RGFE-07?MCK?	1	20300 [5.9]	9300 [2.7]	37200 [10.9]	16	12.5	725 [342]	71
			2	26200 [7.7]	11000 [3.2]				1025 [484]	72
		RGFE-09?ZCM?	1	21800 [6.4]	8800 [2.6]	38000 [11.1]	16	12.5	875 [413]	71
			2	27800 [8.1]	10200 [3.0]				1200 [566]	72
		RGFE-10?ZCM?	1	22200 [6.5]	8600 [2.5]	38500 [11.3]	16	12.5	900 [425]	71
			2	28400 [8.3]	10100 [3.0]				1225 [578]	72
		RGFE-12?RCM?	1	21800 [6.4]	8800 [2.6]	38500 [11.3]	16.5	13	875 [413]	71
			2	28400 [8.3]	10100 [3.0]				1225 [578]	72
		RGFG-06?MCK?	1	20300 [5.9]	9300 [2.7]	37200 [10.9]	16	12.5	725 [342]	71
			2	26100 [7.6]	11100 [3.3]				1000 [472]	72
		RGFG-07?MCK?	1	20900 [6.1]	9100 [2.7]	37000 [10.8]	16	12.5	800 [378]	71
			2	25900 [7.6]	11100 [3.3]				1000 [472]	72
		RGFG-09?ZCM?	1	21800 [6.4]	8800 [2.6]	38000 [11.1]	16	12.5	875 [413]	71
			2	27800 [8.1]	10200 [3.0]				1200 [566]	72
		RGFG-10?ZCM?	1	22200 [6.5]	8600 [2.5]	38000 [11.1]	16	12.5	900 [425]	71
			2	27800 [8.1]	10200 [3.0]				1200 [566]	72
		RGFG-12?RCM?	1	21800 [6.4]	8800 [2.6]	38500 [11.3]	16.5	13	875 [413]	71
			2	28400 [8.3]	10100 [3.0]				1225 [578]	72
		RGGE-06?MCK?	1	20500 [6.0]	9300 [2.7]	37400 [11.0]	16	13	725 [342]	71
			2	26400 [7.7]	11000 [3.2]				1025 [484]	72
		RGGE-07?MCK?	1	20600 [6.0]	9200 [2.7]	37400 [11.0]	16	12.5	750 [354]	71
			2	26400 [7.7]	11000 [3.2]				1025 [484]	72
		RGGE-09?ZCM?	1	21800 [6.4]	8800 [2.6]	38500 [11.3]	16	13	875 [413]	71
			2	28400 [8.3]	10100 [3.0]				1225 [578]	72
		RGGE-10?ZCM?	1	21800 [6.4]	8800 [2.6]	38000 [11.1]	16	13	875 [413]	71
			2	27800 [8.1]	10200 [3.0]				1200 [566]	72
		RGGE-12?RCM?	1	21800 [6.4]	8800 [2.6]	38500 [11.3]	16.5	13	875 [413]	71
			2	28300 [8.3]	10200 [3.0]				1200 [566]	72
		RGJF-06?MCK?	1	20500 [6.0]	9300 [2.7]	37400 [11.0]	16	13	725 [342]	71
			2	26400 [7.7]	11000 [3.2]				1025 [484]	72
		RGJF-07?MCK?	1	20600 [6.0]	9200 [2.7]	37400 [11.0]	16	12.5	750 [354]	71
			2	26400 [7.7]	11000 [3.2]				1025 [484]	72

① Highest sales volume tested combination required by D.O.E. test procedures.

[ ] Designates Metric Conversions



## Performance Data @ AHRI Standard Conditions—Cooling

Outdoor Unit RARL-	Model Numbers		Stage	AHRI Cooling Performance 80°F [26.5°C] / 67°F [19.5°C] WB Indoor Air 95°F [35°C] DB Outdoor Air						
				Net Sensible BTU/H [kW]	Net Latent BTU/H [kW]	AHRI Ratings			Indoor Airflow CFM [L/s]	Sound Rating dB
	ID Coil	ID Air Mover				Total Capacity BTU/H [kW]	SEER	EER		
Rev. 5/8/2012	RCFN-H*3624	ROCA-070E03	1	21100 [6.2]	9100 [2.7]	37400 [11.0]	16	13	800 [378]	71
			2	26300 [7.7]	11100 [3.3]				1000 [472]	72
ROCA-070E04		1	21100 [6.2]	9100 [2.7]	37400 [11.0]	16	13	800 [378]	71	
		2	26300 [7.7]	11100 [3.3]				1000 [472]	72	
ROLA-070E03		1	22200 [6.5]	8600 [2.5]	38000 [11.1]	16	13	900 [425]	71	
		2	27700 [8.1]	10300 [3.0]				1175 [554]	72	
ROLA-070E04		1	22200 [6.5]	8600 [2.5]	38000 [11.1]	16	13	900 [425]	71	
		2	27700 [8.1]	10300 [3.0]				1175 [554]	72	
ROLA-115E05		1	22200 [6.5]	8600 [2.5]	38500 [11.3]	16.5	13	900 [425]	71	
		2	28300 [8.3]	10200 [3.0]				1200 [566]	72	
RCFN-H*3624+RXMD-C06		Coil Only	1	21400 [6.3]	8600 [2.5]	37400 [11.0]	14	12	925 [437]	71
			2	26900 [7.9]	10500 [3.1]				1125 [531]	72
038JEC	RCQD-3621	RGFE-06?MCK?	1	19900 [5.8]	9100 [2.7]	36600 [10.7]	15.5	12.5	725 [342]	71
			2	25600 [7.5]	11000 [3.2]				1000 [472]	72
		RGFE-07?MCK?	1	19900 [5.8]	9100 [2.7]	36600 [10.7]	15.5	12.5	725 [342]	71
			2	25700 [7.5]	10900 [3.2]				1025 [484]	72
		RGFE-09?ZCM?	1	21200 [6.2]	8600 [2.5]	37600 [11.0]	15.5	12.5	875 [413]	71
			2	27500 [8.1]	10100 [3.0]				1200 [566]	72
		RGFE-10?ZCM?	1	21800 [6.4]	8400 [2.5]	37600 [11.0]	15.5	12.5	900 [425]	71
			2	27600 [8.1]	10000 [2.9]				1225 [578]	72
		RGFG-06?MCK?	1	19900 [5.8]	9100 [2.7]	36600 [10.7]	15.5	12.5	725 [342]	71
			2	25600 [7.5]	11000 [3.2]				1000 [472]	72
		RGFG-07?MCK?	1	20500 [6.0]	8900 [2.6]	36400 [10.7]	15.5	12.5	800 [378]	71
			2	25400 [7.4]	11000 [3.2]				1000 [472]	72
		RGFG-09?ZCM?	1	21200 [6.2]	8600 [2.5]	37600 [11.0]	15.5	12.5	875 [413]	71
			2	27500 [8.1]	10100 [3.0]				1200 [566]	72
		RGFG-10?ZCM?	1	21800 [6.4]	8400 [2.5]	37600 [11.0]	15.5	12.5	900 [425]	71
			2	27500 [8.1]	10100 [3.0]				1200 [566]	72
		RGJF-06?MCK?	1	21600 [6.3]	8400 [2.5]	37400 [11.0]	15.5	12.5	925 [437]	71
			2	27300 [8.0]	10100 [3.0]				1200 [566]	72
		RGJF-07?MCK?	1	20200 [5.9]	9000 [2.6]	36600 [10.7]	15.5	12.5	750 [354]	71
			2	25700 [7.5]	10900 [3.2]				1025 [484]	72
		RGJF-09?ZCM?	1	21200 [6.2]	8600 [2.5]	37800 [11.1]	15.5	12.5	875 [413]	71
			2	27800 [8.1]	10000 [2.9]				1225 [578]	72
		RGJF-10?ZCM?	1	21200 [6.2]	8600 [2.5]	37600 [11.0]	15.5	12.5	875 [413]	71
			2	27500 [8.1]	10100 [3.0]				1200 [566]	72
		RGPE-05?BMK?	1	21600 [6.3]	8400 [2.5]	37400 [11.0]	15.5	12	900 [425]	71
			2	27300 [8.0]	10100 [3.0]				1200 [566]	72
		RGPE-07?AMK?	1	21800 [6.4]	8400 [2.5]	37600 [11.0]	15.5	12.5	900 [425]	71
			2	27600 [8.1]	10000 [2.9]				1225 [578]	72
		RGPE-07?BRQ?	1	21800 [6.4]	8400 [2.5]	38000 [11.1]	16	13	900 [425]	71
			2	28000 [8.2]	10000 [2.9]				1225 [578]	72
		RGPE-10?BRM?	1	21800 [6.4]	8400 [2.5]	38000 [11.1]	16	13	900 [425]	71
			2	28000 [8.2]	10000 [2.9]				1225 [578]	72
		RGRM-04?MAE?	1	20200 [5.9]	9000 [2.6]	36600 [10.7]	15.5	12.5	750 [354]	71
			2	25700 [7.5]	10900 [3.2]				1025 [484]	72

① Highest sales volume tested combination required by D.O.E. test procedures.

[ ] Designates Metric Conversions





## Performance Data @ AHRI Standard Conditions—Cooling

Outdoor Unit RARL-	Model Numbers		Stage	AHRI Cooling Performance 80°F [26.5°C] / 67°F [19.5°C] WB Indoor Air 95°F [35°C] DB Outdoor Air							
				Net Sensible BTU/H [kW]	Net Latent BTU/H [kW]	AHRI Ratings			Indoor Airflow CFM [L/s]	Sound Rating dB	
	ID Coil	ID Air Mover				Total Capacity BTU/H [kW]	SEER	EER			
Rev. 5/8/2012	RCSN-H*4824 ①	RHPN-HM4824	1	30400 [8.9]	12100 [3.5]	50000 [14.6]	16.5	13	1250 [590]	72	
			2	36700 [10.8]	13300 [3.9]				1600 [755]	72	
1 - dehumid			26400 [7.7]	9800 [2.9]	1050 [495]						
2 - dehumid			34300 [10.0]	14700 [4.3]	1350 [637]						
049JEC	RCFL-H*4821	RGFE-09?ZCM?	1	23700 [6.9]	14300 [4.2]	44500 [13.0]	15	11	1025 [484]	72	
			2	28200 [8.3]	16300 [4.8]				1400 [661]	72	
		RGFE-10?ZCM?	1	23700 [6.9]	14300 [4.2]	44500 [13.0]	15	11	1025 [484]	72	
			2	28400 [8.3]	16100 [4.7]				1425 [672]	72	
		RGFG-09?ZCM?	1	23700 [6.9]	14300 [4.2]	44500 [13.0]	15	11	1025 [484]	72	
			2	28200 [8.3]	16300 [4.8]				1400 [661]	72	
		RGFG-10?ZCM?	1	23800 [7.0]	14200 [4.2]	44500 [13.0]	15	11	1050 [495]	72	
			2	28200 [8.3]	16300 [4.8]				1400 [661]	72	
		RGGE-09?ZCM?	1	23700 [6.9]	14300 [4.2]	44500 [13.0]	15	11.5	1025 [484]	72	
			2	28200 [8.3]	16300 [4.8]				1400 [661]	72	
		RGGE-10?ZCM?	1	23800 [7.0]	14200 [4.2]	44500 [13.0]	15	11.5	1050 [495]	72	
			2	28200 [8.3]	16300 [4.8]				1400 [661]	72	
		RGJF-09?ZCM?	1	23700 [6.9]	14300 [4.2]	44500 [13.0]	15	11.5	1025 [484]	72	
			2	28200 [8.3]	16300 [4.8]				1400 [661]	72	
		RGJF-10?ZCM?	1	23800 [7.0]	14200 [4.2]	44500 [13.0]	15	11.5	1050 [495]	72	
			2	28200 [8.3]	16300 [4.8]				1400 [661]	72	
		RGL-07?BRQ?	1	23700 [6.9]	14300 [4.2]	45000 [13.2]	15.5	11.5	1025 [484]	72	
			2	28700 [8.4]	16300 [4.8]				1400 [661]	72	
		RGL-10?BRM?	1	24300 [7.1]	14200 [4.2]	45000 [13.2]	15.5	12	1050 [495]	72	
			2	28700 [8.4]	16300 [4.8]				1400 [661]	72	
		RGPE-07?BRQ?	1	23800 [7.0]	14200 [4.2]	45000 [13.2]	15.5	11.5	1050 [495]	72	
			2	28700 [8.4]	16300 [4.8]				1400 [661]	72	
		RGPE-10?BRM?	1	25700 [7.5]	13300 [3.9]	45500 [13.3]	15.5	11.5	1225 [578]	72	
			2	30400 [8.9]	15100 [4.4]				1625 [767]	72	
		RGRM-07?YBG?	1	23600 [6.9]	14200 [4.2]	43500 [12.7]	14	10.5	1050 [495]	72	
			2	27200 [8.0]	16300 [4.8]				1400 [661]	72	
		RGRM-09?ZAJ?	1	23900 [7.0]	14100 [4.1]	44500 [13.0]	15	11	1075 [507]	72	
			2	28200 [8.3]	16300 [4.8]				1400 [661]	72	
		RGRM-10?ZAJ?	1	23700 [6.9]	14300 [4.2]	44500 [13.0]	15	11	1025 [484]	72	
			2	28400 [8.3]	16100 [4.7]				1425 [672]	72	
		RGTM-07?RBG?	1	24600 [7.2]	13900 [4.1]	45000 [13.2]	15	11.5	1125 [531]	72	
			2	29200 [8.6]	15800 [4.6]				1475 [696]	72	
		RGTM-09?ZAJ?	1	24500 [7.2]	14000 [4.1]	44500 [13.0]	15	11.5	1100 [519]	72	
			2	28200 [8.3]	16300 [4.8]				1400 [661]	72	
		ROCA-070E04	1	25000 [7.3]	13500 [4.0]	44500 [13.0]	14.5	11	1200 [566]	72	
			2	28200 [8.3]	16300 [4.8]				1400 [661]	72	
		ROLA-070E04	1	24800 [7.3]	13700 [4.0]	45000 [13.2]	15	11	1175 [554]	72	
			2	29900 [8.8]	15100 [4.4]				1600 [755]	72	
		ROLA-115E05	1	23800 [7.0]	14200 [4.2]	45000 [13.2]	15	11.5	1050 [495]	72	
			2	28700 [8.4]	16300 [4.8]				1400 [661]	72	
		RCFL-H*4821+RXMD-C06	Coil Only	1	25200 [7.4]	13300 [3.9]	45500 [13.3]	14	11	1250 [590]	72
				2	30400 [8.9]	15100 [4.4]				1475 [696]	72

① Highest sales volume tested combination required by D.O.E. test procedures.

[ ] Designates Metric Conversions



## Performance Data @ AHRI Standard Conditions—Cooling

Outdoor Unit RARL-	Model Numbers		Stage	AHRI Cooling Performance 80°F [26.5°C] / 67°F [19.5°C] WB Indoor Air 95°F [35°C] DB Outdoor Air						
				Net Sensible BTU/H [kW]	Net Latent BTU/H [kW]	AHRI Ratings			Indoor Airflow CFM [L/s]	Sound Rating dB
	ID Coil	ID Air Mover				Total Capacity BTU/H [kW]	SEER	EER		
Rev. 5/8/2012	RCFL-H*4824	RGTM-09?ZAJ?	1	24500 [7.2]	14000 [4.1]	44500 [13.0]	15	11.5	1100 [519]	72
			2	28200 [8.3]	16300 [4.8]				1400 [661]	72
RGTM-10?RBJ?		1	24600 [7.2]	13900 [4.1]	45000 [13.2]	15	11.5	1125 [531]	72	
		2	28900 [8.5]	16100 [4.7]				1425 [672]	72	
ROCA-070E04		1	25000 [7.3]	13500 [4.0]	44500 [13.0]	14.5	11	1200 [566]	72	
		2	28200 [8.3]	16300 [4.8]				1400 [661]	72	
ROLA-070E04		1	24800 [7.3]	13700 [4.0]	45000 [13.2]	15	11	1175 [554]	72	
		2	29900 [8.8]	15100 [4.4]				1600 [755]	72	
ROLA-115E05		1	23800 [7.0]	14200 [4.2]	44500 [13.0]	15	11.5	1050 [495]	72	
		2	28200 [8.3]	16300 [4.8]				1400 [661]	72	
RCFL-H*4824+RXMD-C06		Coil Only	1	25200 [7.4]	13300 [3.9]	45500 [13.3]	14	11	1250 [590]	72
			2	30400 [8.9]	15100 [4.4]				1425 [672]	72
049JEC	RCFN-H*4824	RGFE-09?ZCM?	1	27700 [8.1]	13300 [3.9]	48500 [14.2]	16.5	12	1025 [484]	72
			2	33900 [9.9]	14600 [4.3]				1400 [661]	72
		RGFE-10?ZCM?	1	27700 [8.1]	13300 [3.9]	48500 [14.2]	16.5	12	1025 [484]	72
			2	34000 [10.0]	14500 [4.2]				1425 [672]	72
		RGFE-12?RCM?	1	27700 [8.1]	13300 [3.9]	49000 [14.4]	16.5	12.5	1025 [484]	72
			2	34700 [10.2]	14300 [4.2]				1450 [684]	72
		RGFG-09?ZCM?	1	27700 [8.1]	13300 [3.9]	48500 [14.2]	16.5	12	1025 [484]	72
			2	33900 [9.9]	14600 [4.3]				1400 [661]	72
		RGFG-10?ZCM?	1	27800 [8.1]	13200 [3.9]	48500 [14.2]	16	12	1050 [495]	72
			2	33900 [9.9]	14600 [4.3]				1400 [661]	72
		RGFG-12?RCM?	1	27700 [8.1]	13300 [3.9]	49000 [14.4]	16.5	12.5	1025 [484]	72
			2	34700 [10.2]	14300 [4.2]				1450 [684]	72
		RGGE-09?ZCM?	1	27700 [8.1]	13300 [3.9]	48500 [14.2]	16.5	12.5	1025 [484]	72
			2	33900 [9.9]	14600 [4.3]				1400 [661]	72
		RGGE-10?ZCM?	1	27800 [8.1]	13200 [3.9]	48500 [14.2]	16.5	12	1050 [495]	72
			2	33900 [9.9]	14600 [4.3]				1400 [661]	72
		RGGE-12?RCM?	1	29600 [8.7]	12400 [3.6]	49500 [14.5]	16.5	12.5	1200 [566]	72
			2	36200 [10.6]	13300 [3.9]				1575 [743]	72
		RGJF-09?ZCM?	1	27700 [8.1]	13300 [3.9]	48500 [14.2]	16.5	12.5	1025 [484]	72
			2	33900 [9.9]	14600 [4.3]				1400 [661]	72
		RGJF-10?ZCM?	1	27800 [8.1]	13200 [3.9]	48500 [14.2]	16.5	12	1050 [495]	72
			2	33900 [9.9]	14600 [4.3]				1400 [661]	72
		RGJF-12?RCM?	1	29600 [8.7]	12400 [3.6]	49500 [14.5]	16.5	12.5	1200 [566]	72
			2	36200 [10.6]	13300 [3.9]				1575 [743]	72
		RGLE-07?BRQ?	1	27700 [8.1]	13300 [3.9]	49000 [14.4]	16.5	12.5	1025 [484]	72
			2	34400 [10.1]	14600 [4.3]				1400 [661]	72
		RGLE-10?BRM?	1	27800 [8.1]	13200 [3.9]	49000 [14.4]	16.5	12.5	1050 [495]	72
			2	34400 [10.1]	14600 [4.3]				1400 [661]	72
		RGLE-12?ARM?	1	28500 [8.4]	13000 [3.8]	49000 [14.4]	16.5	12.5	1075 [507]	72
			2	34500 [10.1]	14500 [4.2]				1425 [672]	72
		RGPE-07?BRQ?	1	27800 [8.1]	13200 [3.9]	49000 [14.4]	16.5	12.5	1050 [495]	72
			2	34400 [10.1]	14600 [4.3]				1400 [661]	72
		RGPE-10?BRM?	1	28500 [8.4]	13000 [3.8]	49000 [14.4]	16.5	12.5	1075 [507]	72
			2	34400 [10.1]	14600 [4.3]				1400 [661]	72

① Highest sales volume tested combination required by D.O.E. test procedures.

[ ] Designates Metric Conversions

# Performance Data @ AHRI Standard Conditions—Cooling

Outdoor Unit RARL-	Model Numbers		Stage	AHRI Cooling Performance 80°F [26.5°C] / 67°F [19.5°C] WB Indoor Air 95°F [35°C] DB Outdoor Air						
				Net Sensible BTU/H [kW]	Net Latent BTU/H [kW]	AHRI Ratings			Indoor Airflow CFM [L/s]	Sound Rating dB
	ID Coil	ID Air Mover				Total Capacity BTU/H [kW]	SEER	EER		
Rev. 5/8/2012	RCFN-H*4824	RGPE-12?ARM?	1	28500 [8.4]	13000 [3.8]	49000 [14.4]	16.5	12.5	1075 [507]	72
			2	34500 [10.1]	14500 [4.2]				1425 [672]	72
		RGRM-09?ZAJ?	1	28000 [8.2]	13000 [3.8]	49000 [14.4]	16	12	1075 [507]	72
			2	34400 [10.1]	14600 [4.3]				1400 [661]	72
		RGRM-10?ZAJ?	1	27700 [8.1]	13300 [3.9]	48500 [14.2]	16	12	1025 [484]	72
			2	34000 [10.0]	14500 [4.2]				1425 [672]	72
		RGRM-12?RAJ?	1	28000 [8.2]	13000 [3.8]	48500 [14.2]	16.5	12.5	1075 [507]	72
			2	34000 [10.0]	14500 [4.2]				1425 [672]	72
		RGTM-07?RBG?	1	28700 [8.4]	12800 [3.8]	48500 [14.2]	16.5	12.5	1125 [531]	72
			2	34400 [10.1]	14100 [4.1]				1475 [696]	72
RGTM-09?ZAJ?		1	28600 [8.4]	12900 [3.8]	48500 [14.2]	16.5	12.5	1100 [519]	72	
		2	33900 [9.9]	14600 [4.3]				1400 [661]	72	
RGTM-10?RBJ?		1	28700 [8.4]	12800 [3.8]	49000 [14.4]	16.5	12.5	1125 [531]	72	
		2	34500 [10.1]	14500 [4.2]				1425 [672]	72	
ROCA-070E04		1	29100 [8.5]	12400 [3.6]	48500 [14.2]	16	12	1200 [566]	72	
		2	33900 [9.9]	14600 [4.3]				1400 [661]	72	
ROLA-070E04		1	29000 [8.5]	12500 [3.7]	49000 [14.4]	16	12	1175 [554]	72	
		2	35700 [10.5]	13300 [3.9]				1600 [755]	72	
ROLA-115E05		1	27800 [8.1]	13200 [3.9]	48500 [14.2]	16.5	12.5	1050 [495]	72	
		2	33900 [9.9]	14600 [4.3]				1400 [661]	72	
RCFN-H*4824+RXMD-C06	Coil Only	1	29400 [8.6]	12100 [3.5]	49000 [14.4]	15	12	1250 [590]	72	
		2	35700 [10.5]	13300 [3.9]				1600 [755]	72	
049JEC	RCQD-4821	RGFE-09?ZCM?	1	27000 [7.9]	12500 [3.7]	46500 [13.6]	16	11.5	1025 [484]	72
			2	32600 [9.6]	13900 [4.1]				1400 [661]	72
		RGFE-10?ZCM?	1	27000 [7.9]	12500 [3.7]	46500 [13.6]	15.5	11.5	1025 [484]	72
			2	32800 [9.6]	13700 [4.0]				1425 [672]	72
		RGFG-09?ZCM?	1	27000 [7.9]	12500 [3.7]	46500 [13.6]	16	11.5	1025 [484]	72
			2	32600 [9.6]	13900 [4.1]				1400 [661]	72
		RGFG-10?ZCM?	1	28900 [8.5]	11600 [3.4]	47500 [13.9]	15.5	11.5	1200 [566]	72
			2	35300 [10.3]	12200 [3.6]				1650 [779]	72
		RGJF-09?ZCM?	1	27000 [7.9]	12500 [3.7]	47000 [13.8]	16	12	1025 [484]	72
			2	33100 [9.7]	13900 [4.1]				1400 [661]	72
		RGJF-10?ZCM?	1	27600 [8.1]	12400 [3.6]	46500 [13.6]	16	12	1050 [495]	72
			2	32600 [9.6]	13900 [4.1]				1400 [661]	72
		RGPE-07?BRQ?	1	29600 [8.7]	11400 [3.3]	47500 [13.9]	16	12	1225 [578]	72
			2	35000 [10.3]	12500 [3.7]				1600 [755]	72
		RGPE-10?BRM?	1	29600 [8.7]	11400 [3.3]	47500 [13.9]	16	12	1225 [578]	72
			2	35000 [10.3]	12500 [3.7]				1625 [767]	72
		RGRM-09?ZAJ?	1	27700 [8.1]	12300 [3.6]	46500 [13.6]	15.5	11.5	1075 [507]	72
			2	32600 [9.6]	13900 [4.1]				1400 [661]	72
		RGRM-10?ZAJ?	1	27000 [7.9]	12500 [3.7]	46500 [13.6]	15.5	11.5	1025 [484]	72
			2	32800 [9.6]	13700 [4.0]				1425 [672]	72
RGTM-07?RBG?	1	28000 [8.2]	12000 [3.5]	47000 [13.8]	16	12	1125 [531]	72		
	2	33600 [9.8]	13400 [3.9]				1475 [696]	72		
RGTM-09?ZAJ?	1	27900 [8.2]	12100 [3.5]	47000 [13.8]	16	12	1100 [519]	72		
	2	33100 [9.7]	13900 [4.1]				1400 [661]	72		

① Highest sales volume tested combination required by D.O.E. test procedures.

[ ] Designates Metric Conversions

## Performance Data @ AHRI Standard Conditions—Cooling

Outdoor Unit RARL-	Model Numbers		Stage	AHRI Cooling Performance 80°F [26.5°C] / 67°F [19.5°C] WB Indoor Air 95°F [35°C] DB Outdoor Air						
				Net Sensible BTU/H [kW]	Net Latent BTU/H [kW]	AHRI Ratings			Indoor Airflow CFM [L/s]	Sound Rating dB
	ID Coil	ID Air Mover				Total Capacity BTU/H [kW]	SEER	EER		
Rev. 5/8/2012	RCQD-4821	ROCA-070E04	1	28900 [8.5]	11600 [3.4]	46500 [13.6]	15.5	11.5	1200 [566]	72
			2	32600 [9.6]	13900 [4.1]				1400 [661]	72
ROLA-070E04		1	27500 [8.1]	12500 [3.7]	47000 [13.8]	16	12	1025 [484]	72	
		2	33000 [9.7]	14000 [4.1]				1375 [649]	72	
ROLA-115E05		1	27600 [8.1]	12400 [3.6]	47000 [13.8]	16	12	1050 [495]	72	
		2	33100 [9.7]	13900 [4.1]				1400 [661]	72	
RCQD-4821+RXMD-C06	Coil Only	1	28600 [8.4]	11400 [3.3]	47500 [13.9]	14.5	11.5	1250 [590]	72	
		2	35000 [10.3]	12500 [3.7]				1550 [731]	72	
049JEC	RCQD-4824	RBHM-25J	1	29400 [8.6]	11600 [3.4]	48500 [14.2]	16.5	13	1200 [566]	72
			2	36000 [10.5]	12500 [3.7]				1600 [755]	72
		RGFE-09?ZCM?	1	27000 [7.9]	12500 [3.7]	46500 [13.6]	16	12	1025 [484]	72
			2	32600 [9.6]	13900 [4.1]				1400 [661]	72
		RGFE-10?ZCM?	1	27000 [7.9]	12500 [3.7]	47000 [13.8]	16	12	1025 [484]	72
			2	33300 [9.8]	13700 [4.0]				1425 [672]	72
		RGFE-12?RCM?	1	27500 [8.1]	12500 [3.7]	47000 [13.8]	16	12	1025 [484]	72
			2	33400 [9.8]	13600 [4.0]				1450 [684]	72
		RGFG-09?ZCM?	1	27000 [7.9]	12500 [3.7]	46500 [13.6]	16	12	1025 [484]	72
			2	32600 [9.6]	13900 [4.1]				1400 [661]	72
		RGFG-10?ZCM?	1	27600 [8.1]	12400 [3.6]	46500 [13.6]	16	12	1050 [495]	72
			2	32600 [9.6]	13900 [4.1]				1400 [661]	72
		RGFG-12?RCM?	1	27500 [8.1]	12500 [3.7]	47000 [13.8]	16	12	1025 [484]	72
			2	33400 [9.8]	13600 [4.0]				1450 [684]	72
		RGJF-09?ZCM?	1	27500 [8.1]	12500 [3.7]	47000 [13.8]	16	12	1025 [484]	72
			2	33100 [9.7]	13900 [4.1]				1400 [661]	72
		RGJF-10?ZCM?	1	27600 [8.1]	12400 [3.6]	47000 [13.8]	16	12	1050 [495]	72
			2	33100 [9.7]	13900 [4.1]				1400 [661]	72
		RGJF-12?RCM?	1	28900 [8.5]	11600 [3.4]	48000 [14.1]	16	12	1200 [566]	72
			2	35500 [10.4]	12500 [3.7]				1575 [743]	72
		RGPE-07?BRQ?	1	27600 [8.1]	12400 [3.6]	47000 [13.8]	16	12.5	1050 [495]	72
			2	33100 [9.7]	13900 [4.1]				1400 [661]	72
		RGPE-10?BRM?	1	27700 [8.1]	12300 [3.6]	47000 [13.8]	16.5	12	1075 [507]	72
			2	33100 [9.7]	13900 [4.1]				1400 [661]	72
		RGPE-12?ARM?	1	27700 [8.1]	12300 [3.6]	47500 [13.9]	16.5	12.5	1075 [507]	72
			2	33800 [9.9]	13700 [4.0]				1425 [672]	72
		RGRM-09?ZAJ?	1	27700 [8.1]	12300 [3.6]	46500 [13.6]	15.5	11.5	1075 [507]	72
			2	32600 [9.6]	13900 [4.1]				1400 [661]	72
		RGRM-10?ZAJ?	1	27000 [7.9]	12500 [3.7]	46500 [13.6]	16	11.5	1025 [484]	72
			2	32800 [9.6]	13700 [4.0]				1425 [672]	72
		RGRM-12?RAJ?	1	27700 [8.1]	12300 [3.6]	47000 [13.8]	16	12	1075 [507]	72
			2	33300 [9.8]	13700 [4.0]				1425 [672]	72
		RGTM-07?RBG?	1	30200 [8.8]	11100 [3.3]	48500 [14.2]	15.5	11.5	1325 [625]	72
			2	36200 [10.6]	12200 [3.6]				1675 [790]	72
		RGTM-09?ZAJ?	1	27900 [8.2]	12100 [3.5]	47000 [13.8]	16	12	1100 [519]	72
			2	33100 [9.7]	13900 [4.1]				1400 [661]	72
		RGTM-10?RBJ?	1	28500 [8.4]	12000 [3.5]	47000 [13.8]	16	12	1125 [531]	72
			2	33300 [9.8]	13700 [4.0]				1425 [672]	72

① Highest sales volume tested combination required by D.O.E. test procedures.

[ ] Designates Metric Conversions

## Performance Data @ AHRI Standard Conditions—Cooling

Outdoor Unit RARL-	Model Numbers		Stage	AHRI Cooling Performance 80°F [26.5°C] / 67°F [19.5°C] WB Indoor Air 95°F [35°C] DB Outdoor Air							
				Net Sensible BTU/H [kW]	Net Latent BTU/H [kW]	AHRI Ratings			Indoor Airflow CFM [L/s]	Sound Rating dB	
	ID Coil	ID Air Mover				Total Capacity BTU/H [kW]	SEER	EER			
Rev. 5/8/2012  049JEC	RCQD-4824	ROCA-070E04	1	28900 [8.5]	11600 [3.4]	46500 [13.6]	15.5	11.5	1200 [566]	72	
			2	32600 [9.6]	13900 [4.1]				1400 [661]	72	
		ROLA-070E04	1	28700 [8.4]	11800 [3.5]	47500 [13.9]	16	11.5	1175 [554]	72	
			2	35000 [10.3]	12500 [3.7]				1600 [755]	72	
		ROLA-115E05	1	27600 [8.1]	12400 [3.6]	47000 [13.8]	16	12	1050 [495]	72	
			2	33100 [9.7]	13900 [4.1]				1400 [661]	72	
	RCQD-4824+RXMD-C06	Coil Only	1	28600 [8.4]	11400 [3.3]	47500 [13.9]	14.5	11.5	1250 [590]	72	
			2	35000 [10.3]	12500 [3.7]				1600 [755]	72	
	RCSL-H*4824	RHPL-HM4824	1	26200 [7.7]	13300 [3.9]	46000 [13.5]	16	12	1250 [590]	72	
			2	30900 [9.1]	15100 [4.4]				1625 [767]	72	
	061JEC	RCSN-H*6024 ①	RHPN-HM6024	1	34100 [10.0]	14900 [4.4]	59000 [17.3]	16	13	1325 [625]	76
				2	42700 [12.5]	16300 [4.8]				1775 [838]	78
1 - dehumid				29000 [8.5]	12500 [3.7]	1050 [495]					
2 - dehumid				39300 [11.5]	18200 [5.3]	1450 [684]					
RCFL-H*6024		RGFE-09?ZCM?	1	32300 [9.5]	15700 [4.6]	57500 [16.8]	16	12	1200 [566]	76	
			2	39700 [11.6]	17800 [5.2]				1600 [755]	78	
		RGFE-10?ZCM?	1	32400 [9.5]	15600 [4.6]	57000 [16.7]	16	12	1225 [578]	76	
			2	39200 [11.5]	17800 [5.2]				1600 [755]	78	
		RGFE-12?RCM?	1	32900 [9.6]	15600 [4.6]	57500 [16.8]	16	12	1225 [578]	76	
			2	39900 [11.7]	17600 [5.2]				1625 [767]	78	
		RGFG-09?ZCM?	1	32300 [9.5]	15700 [4.6]	57500 [16.8]	16	12	1200 [566]	76	
			2	39700 [11.6]	17800 [5.2]				1600 [755]	78	
		RGFG-10?ZCM?	1	32300 [9.5]	15700 [4.6]	57500 [16.8]	16	12	1200 [566]	76	
			2	40100 [11.7]	17400 [5.1]				1650 [779]	78	
		RGFG-12?RCM?	1	32900 [9.6]	15600 [4.6]	57500 [16.8]	16	12	1225 [578]	76	
			2	39900 [11.7]	17600 [5.2]				1625 [767]	78	
		RGGE-09?ZCM?	1	32900 [9.6]	15600 [4.6]	57500 [16.8]	16	12	1225 [578]	76	
			2	39700 [11.6]	17800 [5.2]				1600 [755]	78	
		RGGE-10?ZCM?	1	32300 [9.5]	15700 [4.6]	57500 [16.8]	16	12	1200 [566]	76	
			2	39700 [11.6]	17800 [5.2]				1600 [755]	78	
		RGGE-12?RCM?	1	34400 [10.1]	14600 [4.3]	58500 [17.1]	16	12	1375 [649]	76	
			2	42100 [12.3]	16400 [4.8]				1750 [826]	78	
		RGJF-09?ZCM?	1	32900 [9.6]	15600 [4.6]	57500 [16.8]	16	12	1225 [578]	76	
			2	39700 [11.6]	17800 [5.2]				1600 [755]	78	
		RGJF-10?ZCM?	1	32300 [9.5]	15700 [4.6]	57500 [16.8]	16	12	1200 [566]	76	
			2	39700 [11.6]	17800 [5.2]				1600 [755]	78	
		RGJF-12?RCM?	1	34400 [10.1]	14600 [4.3]	58500 [17.1]	16	12	1375 [649]	76	
			2	42100 [12.3]	16400 [4.8]				1750 [826]	78	
		RGLE-07?BRQ?	1	32900 [9.6]	15600 [4.6]	57500 [16.8]	16	12.5	1225 [578]	76	
			2	39700 [11.6]	17800 [5.2]				1600 [755]	78	
		RGLE-10?BRM?	1	32800 [9.6]	15700 [4.6]	58000 [17.0]	16	12.5	1200 [566]	76	
			2	40200 [11.8]	17800 [5.2]				1600 [755]	78	
		RGLE-12?ARM?	1	32900 [9.6]	15600 [4.6]	58000 [17.0]	16	12.5	1225 [578]	76	
			2	40200 [11.8]	17800 [5.2]				1600 [755]	78	
		RGPE-07?BRQ?	1	32900 [9.6]	15600 [4.6]	58000 [17.0]	16	12.5	1225 [578]	76	
			2	40200 [11.8]	17800 [5.2]				1600 [755]	78	

① Highest sales volume tested combination required by D.O.E. test procedures.

[ ] Designates Metric Conversions

## Performance Data @ AHRI Standard Conditions—Cooling

Outdoor Unit RARL-	Model Numbers		Stage	AHRI Cooling Performance 80°F [26.5°C] / 67°F [19.5°C] WB Indoor Air 95°F [35°C] DB Outdoor Air						
				Net Sensible BTU/H [kW]	Net Latent BTU/H [kW]	AHRI Ratings			Indoor Airflow CFM [L/s]	Sound Rating dB
	ID Coil	ID Air Mover				Total Capacity BTU/H [kW]	SEER	EER		
Rev. 5/8/2012	RCFL-H*6024	RGPE-10?BRM?	1	32900 [9.6]	15600 [4.6]	58000 [17.0]	16	12.5	1225 [578]	76
			2	40400 [11.8]	17600 [5.2]				1625 [767]	78
RGPE-12?ARM?		1	32800 [9.6]	15700 [4.6]	58000 [17.0]	16	12.5	1200 [566]	76	
		2	40400 [11.8]	17600 [5.2]				1625 [767]	78	
RGRM-07?YBG?		1	31800 [9.3]	15700 [4.6]	56000 [16.4]	15	11	1200 [566]	76	
		2	38000 [11.1]	18000 [5.3]				1575 [743]	78	
RGRM-09?ZAJ?		1	32400 [9.5]	15600 [4.6]	57000 [16.7]	15.5	11.5	1225 [578]	76	
		2	39400 [11.5]	17600 [5.2]				1625 [767]	78	
RGRM-10?ZAJ?		1	31500 [9.2]	16000 [4.7]	57000 [16.7]	16	11.5	1150 [543]	76	
		2	39200 [11.5]	17800 [5.2]				1600 [755]	78	
RGRM-12?RAJ?		1	32400 [9.5]	15600 [4.6]	57500 [16.8]	16	12	1225 [578]	76	
		2	39900 [11.7]	17600 [5.2]				1625 [767]	78	
RGTM-07?RBG?		1	34100 [10.0]	14900 [4.4]	58000 [17.0]	16	12	1325 [625]	76	
		2	40800 [12.0]	17200 [5.0]				1675 [790]	78	
RGTM-09?ZAJ?		1	33100 [9.7]	15400 [4.5]	57500 [16.8]	16	12	1250 [590]	76	
		2	39700 [11.6]	17800 [5.2]				1600 [755]	78	
RGTM-10?RBJ?		1	33200 [9.7]	15300 [4.5]	58000 [17.0]	16	12.5	1275 [602]	76	
		2	40800 [12.0]	17200 [5.0]				1675 [790]	78	
ROCA-070E04		1	32300 [9.5]	15700 [4.6]	56500 [16.6]	16	12	1200 [566]	76	
		2	37100 [10.9]	19400 [5.7]				1400 [661]	78	
ROLA-070E04		1	32100 [9.4]	15900 [4.7]	57500 [16.8]	16	12	1175 [554]	76	
		2	39700 [11.6]	17800 [5.2]				1600 [755]	78	
ROLA-115E05		1	32800 [9.6]	15700 [4.6]	57500 [16.8]	16	12.5	1200 [566]	76	
		2	39700 [11.6]	17800 [5.2]				1600 [755]	78	
RCFL-H*6024+RXMD-C06	Coil Only	1	33100 [9.7]	14900 [4.4]	58000 [17.0]	15	12	1325 [625]	76	
		2	40800 [12.0]	17200 [5.0]				1675 [790]	78	
061JEC	RCFN-H*6024	RGFE-09?ZCM?	1	32300 [9.5]	15700 [4.6]	57500 [16.8]	16	12	1200 [566]	76
			2	39700 [11.6]	17800 [5.2]				1600 [755]	78
		RGFE-10?ZCM?	1	32400 [9.5]	15600 [4.6]	57000 [16.7]	16	12	1225 [578]	76
			2	39200 [11.5]	17800 [5.2]				1600 [755]	78
		RGFE-12?RCM?	1	32900 [9.6]	15600 [4.6]	57500 [16.8]	16	12	1225 [578]	76
			2	39900 [11.7]	17600 [5.2]				1625 [767]	78
		RGFG-09?ZCM?	1	32300 [9.5]	15700 [4.6]	57500 [16.8]	16	12	1200 [566]	76
			2	39700 [11.6]	17800 [5.2]				1600 [755]	78
		RGFG-10?ZCM?	1	32300 [9.5]	15700 [4.6]	57500 [16.8]	16	12	1200 [566]	76
			2	40100 [11.7]	17400 [5.1]				1650 [779]	78
		RGFG-12?RCM?	1	32900 [9.6]	15600 [4.6]	57500 [16.8]	16	12	1225 [578]	76
			2	39900 [11.7]	17600 [5.2]				1625 [767]	78
		RGGE-10?ZCM?	1	32300 [9.5]	15700 [4.6]	57500 [16.8]	16	12	1200 [566]	76
			2	39700 [11.6]	17800 [5.2]				1600 [755]	78
		RGGE-12?RCM?	1	34400 [10.1]	14600 [4.3]	58500 [17.1]	16	12	1375 [649]	76
			2	42200 [12.4]	16300 [4.8]				1750 [826]	78
		RGJF-09?ZCM?	1	32900 [9.6]	15600 [4.6]	57500 [16.8]	16	12	1225 [578]	76
			2	39700 [11.6]	17800 [5.2]				1600 [755]	78
		RGJF-10?ZCM?	1	32300 [9.5]	15700 [4.6]	57500 [16.8]	16	12	1200 [566]	76
			2	39700 [11.6]	17800 [5.2]				1600 [755]	78

① Highest sales volume tested combination required by D.O.E. test procedures.

[ ] Designates Metric Conversions

### Performance Data @ AHRI Standard Conditions—Cooling

Outdoor Unit RARL-	Model Numbers		Stage	AHRI Cooling Performance 80°F [26.5°C] / 67°F [19.5°C] WB Indoor Air 95°F [35°C] DB Outdoor Air						
				Net Sensible BTU/H [kW]	Net Latent BTU/H [kW]	AHRI Ratings			Indoor Airflow CFM [L/s]	Sound Rating dB
	ID Coil	ID Air Mover				Total Capacity BTU/H [kW]	SEER	EER		
Rev. 5/8/2012	RCFN-H*6024	RGJF-12?RCM?	1	34400 [10.1]	14600 [4.3]	58500 [17.1]	16	12	1375 [649]	76
			2	42200 [12.4]	16300 [4.8]				1750 [826]	78
		RGLE-07?BRQ?	1	32900 [9.6]	15600 [4.6]	57500 [16.8]	16	12.5	1225 [578]	76
			2	39700 [11.6]	17800 [5.2]				1600 [755]	78
		RGLE-10?BRM?	1	32800 [9.6]	15700 [4.6]	58000 [17.0]	16	12.5	1200 [566]	76
			2	40200 [11.8]	17800 [5.2]				1600 [755]	78
		RGLE-12?ARM?	1	32900 [9.6]	15600 [4.6]	58000 [17.0]	16	12.5	1225 [578]	76
			2	40200 [11.8]	17800 [5.2]				1600 [755]	78
		RGLR-07?BRQ?	1	32900 [9.6]	15600 [4.6]	58000 [17.0]	16	12.5	1225 [578]	76
			2	40400 [11.8]	17600 [5.2]				1625 [767]	78
		RGPE-07?BRQ?	1	32900 [9.6]	15600 [4.6]	58000 [17.0]	16	12.5	1225 [578]	76
			2	40200 [11.8]	17800 [5.2]				1600 [755]	78
		RGPE-10?BRM?	1	32900 [9.6]	15600 [4.6]	58000 [17.0]	16	12.5	1225 [578]	76
			2	40400 [11.8]	17600 [5.2]				1625 [767]	78
		RGPE-12?ARM?	1	32800 [9.6]	15700 [4.6]	58000 [17.0]	16	12.5	1200 [566]	76
			2	40400 [11.8]	17600 [5.2]				1625 [767]	78
		RGRM-10?ZAJ?	1	31500 [9.2]	16000 [4.7]	57000 [16.7]	16	11.5	1150 [543]	76
			2	39200 [11.5]	17800 [5.2]				1600 [755]	78
		RGRM-12?RAJ?	1	32400 [9.5]	15600 [4.6]	57500 [16.8]	16	12	1225 [578]	76
			2	39900 [11.7]	17600 [5.2]				1625 [767]	78
		RGTM-09?ZAJ?	1	33100 [9.7]	15400 [4.5]	57500 [16.8]	16	12	1250 [590]	76
			2	39700 [11.6]	17800 [5.2]				1600 [755]	78
		ROCA-070E04	1	34000 [10.0]	14500 [4.2]	57000 [16.7]	15	12	1400 [661]	76
			2	39200 [11.5]	17800 [5.2]				1600 [755]	78
	ROLA-070E04	1	32100 [9.4]	15900 [4.7]	57500 [16.8]	16	12	1175 [554]	76	
		2	39700 [11.6]	17800 [5.2]				1600 [755]	78	
	ROLA-115E05	1	32800 [9.6]	15700 [4.6]	57500 [16.8]	16	12.5	1200 [566]	76	
		2	39700 [11.6]	17800 [5.2]				1600 [755]	78	
	RCFN-H*6024+RXMD-C06	Coil Only	1	33100 [9.7]	14900 [4.4]	58000 [17.0]	15	12	1325 [625]	76
			2	40800 [12.0]	17200 [5.0]				1675 [790]	78
	RCQD-6024	RBHM-25J	1	30400 [8.9]	15100 [4.4]	54500 [16.0]	15.5	12.5	1200 [566]	76
			2	37400 [11.0]	17100 [5.0]				1600 [755]	78
		RBHM-26J	1	30900 [9.1]	14600 [4.3]	55000 [16.1]	16	12.5	1275 [602]	76
			2	38700 [11.3]	16300 [4.8]				1700 [802]	78
RGFE-09?ZCM?		1	29900 [8.8]	15100 [4.4]	53500 [15.7]	14.5	11.5	1200 [566]	76	
		2	36400 [10.7]	17100 [5.0]				1600 [755]	78	
RGFE-10?ZCM?		1	30100 [8.8]	14900 [4.4]	53000 [15.5]	14.5	11	1225 [578]	76	
		2	35900 [10.5]	17100 [5.0]				1600 [755]	78	
RGFE-12?RCM?		1	30100 [8.8]	14900 [4.4]	53500 [15.7]	15	11.5	1225 [578]	76	
		2	36600 [10.7]	16900 [5.0]				1625 [767]	78	
RGFG-09?ZCM?		1	29900 [8.8]	15100 [4.4]	53500 [15.7]	14.5	11.5	1200 [566]	76	
		2	36400 [10.7]	17100 [5.0]				1600 [755]	78	
RGFG-10?ZCM?		1	29900 [8.8]	15100 [4.4]	53500 [15.7]	14.5	11.5	1200 [566]	76	
		2	36800 [10.8]	16700 [4.9]				1650 [779]	78	
RGFG-12?RCM?		1	30100 [8.8]	14900 [4.4]	53500 [15.7]	15	11.5	1225 [578]	76	
		2	36600 [10.7]	16900 [5.0]				1625 [767]	78	

① Highest sales volume tested combination required by D.O.E. test procedures.

[ ] Designates Metric Conversions





## Electrical and Physical Data

Model Number RARL	ELECTRICAL							PHYSICAL					
	Phase Frequency (Hz) Voltage (Volts)	Compressor		Fan Motor Full Load Amperes (FLA)	Minimum Circuit Capacity Amperes	Fuse or HACR Circuit Breaker		Outdoor Coil			Refrig. Per Circuit Oz. [g]	Weight	
		Rated Load Amperes (RLA)	Locked Rotor Amperes (LRA)			Minimum Amperes	Maximum Amperes	Face Area Sq. Ft. [m <sup>2</sup> ]	No. Rows	CFM [L/s]		Net Lbs. [kg]	Shipping Lbs. [kg]
Rev. 5/8/2012													
025JEC	1-60-208/230	11.7/11.7	58.3	0.75	16/16	20/20	25/25	15.82 [1.47]	1	2285 [1078]	104 [2948]	197 [89.4]	210 [89.4]
038JEC	1-60-208/230	15.3/15.3	83	1	21/21	25/25	35/35	23.01 [2.14]	1	3400 [1604]	186 [5273]	216 [98]	229 [98]
049JEC	1-60-208/230	21.2/21.2	104	1	28/28	35/35	45/45	23.01 [2.14]	1	3400 [1604]	180 [5103]	252 [114.3]	265 [120.2]
061JEC	1-60-208/230	28.8/28.8	152.9	2.8	39/39	50/50	60/60	23.01 [2.14]	2	3500 [1652]	243 [6889]	283 [128.4]	296 [128.4]

NOTE: Factory Refrigerant Charge includes refrigerant for 15 feet of standard line set.

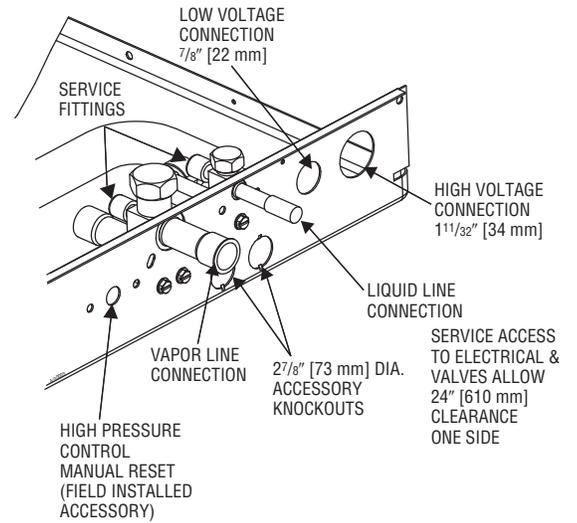
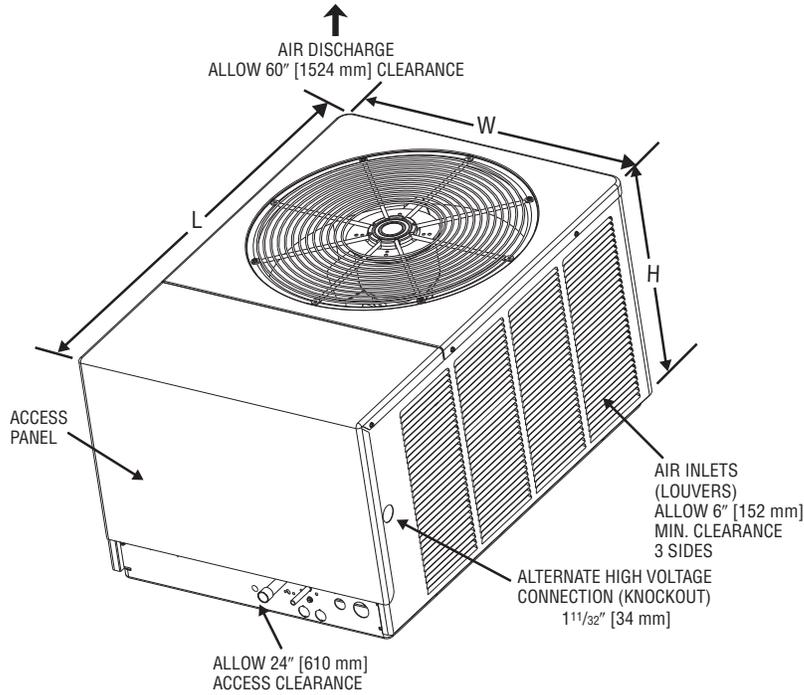
[ ] Designates Metric Conversions



## Unit Dimensions

Model Number RARL-	Height "H" (Inches) [mm]	Length "L" (Inches) [mm]	Width "W" (Inches) [mm]
025JEC	23 [584]	44 <sup>3</sup> / <sub>8</sub> [1127]	31 <sup>1</sup> / <sub>2</sub> [800]
038JEC/049JEC/ 061JEC	33 [838]	44 <sup>3</sup> / <sub>8</sub> [1127]	31 <sup>1</sup> / <sub>2</sub> [800]

[ ] Designates Metric Conversions



## Condensing Unit Refrigerant Line Size Information

LIQUID LINE SIZE - OUTDOOR UNIT ABOVE INDOOR COIL								
R-410A System Capacity Model	Line Size Connection Size (Inch I.D.) [mm]	Line Size (Inch O.D.) [mm]	Liquid Line Size Outdoor Unit Above Indoor Coil (Cooling Only - Does not apply to Heat Pumps)					
			Total Equivalent Length—Feet [m]					
			25 [7.62]	50 [15.24]	75 [22.86]	100 [30.48]	125 [38.10]	150 [45.72]
			Minimum Vertical Separation—Feet [m]					
-025	3/8" [9.53]	1/4" [6.35]	0	1 [0.31]	24 [7.32]	50 [15.24]	76 [23.17]	102 [31.09]
		5/16" [7.93]*	0	0	0	0	0	0
		3/8" [9.52]	0	0	0	0	0	0
-038	3/8" [9.53]	5/16" [7.93]	0	0	0	5 [1.52]	13 [3.96]	20 [6.10]
		3/8" [9.52]*	0	0	0	0	0	0
		1/2" [12.70]	0	0	0	0	0	0
-049	3/8" [9.53]	5/16" [7.93]	0	0	0	7 [2.13]	28 [8.53]	50 [15.24]
		3/8" [9.52]*	0	0	0	0	0	0
		1/2" [12.70]	0	0	0	0	0	0
-061	3/8" [9.53]	3/8" [9.52]*	0	0	0	0	0	0
		1/2" [12.70]	0	0	0	0	0	0

LIQUID LINE SIZE - OUTDOOR UNIT BELOW INDOOR COIL								
R-410A System Capacity Model	Line Size Connection Size (Inch I.D.) [mm]	Line Size (Inch O.D.) [mm]	Liquid Line Size Outdoor Unit Below Indoor Coil (Cooling Only - Does not apply to Heat Pumps)					
			Total Equivalent Length—Feet [m]					
			25 [7.62]	50 [15.24]	75 [22.86]	100 [30.48]	125 [38.10]	150 [45.72]
			Maximum Vertical Separation—Feet [m]					
-025	3/8" [9.53]	1/4" [6.35]	13 [3.96]	N/A	N/A	N/A	N/A	N/A
		5/16" [7.93]*	25 [7.62]	21 [6.40]	17 [5.18]	13 [3.96]	9 [2.74]	N/A
		3/8" [9.52]	25 [8.23]	26 [7.93]	25 [7.62]	23 [7.01]	22 [6.71]	20 [6.10]
-038	3/8" [9.53]	5/16" [7.93]	15 [4.57]	N/A	N/A	N/A	N/A	N/A
		3/8" [9.52]*	19 [5.79]	17 [5.18]	15 [4.57]	12 [3.66]	10 [3.05]	N/A
		1/2" [12.70]	21 [6.40]	21 [6.40]	20 [6.10]	20 [6.10]	19 [5.79]	19 [5.79]
-049	3/8" [9.53]	5/16" [7.93]	25 [9.14]	17 [5.18]	N/A	N/A	N/A	N/A
		3/8" [9.52]*	25 [11.89]	34 [10.36]	30 [9.14]	25 [7.62]	21 [6.40]	17 [5.18]
		1/2" [12.70]	25 [12.80]	41 [12.50]	41 [12.50]	40 [12.19]	39 [11.89]	38 [11.58]
-061	3/8" [9.53]	3/8" [9.52]*	25 [17.98]	49 [14.94]	40 [12.19]	30 [9.14]	20 [6.10]	10 [3.05]
		1/2" [12.70]	25 [19.51]	50 [18.90]	61 [18.59]	60 [18.29]	59 [17.98]	57 [17.37]

\*Standard line size.

NOTE: N/A = Application not recommended.

## Condensing Unit Refrigerant Line Size Information (Cont.)

SUCTION LINE SIZE - OUTDOOR UNIT ABOVE INDOOR COIL							
R-410A System Capacity Model	Line Size Connection Size (Inch I.D.) [mm]	Line Size (Inch O.D.) [mm]	Suction Line Size				
			Outdoor Unit ABOVE Indoor Coil (Cooling Only - Does not apply to Heat Pumps)				
			Total Equivalent Length - Feet [m]				
			25 [7.62]	50 [15.24]	75 [22.86]	100 [30.48]	125 [45.72]
-025	3/4" [19.05]	5/8" [15.88]	Same as Liquid Line Size Table				
		3/4" [19.05]*	NA				
		7/8" [22.23]	NA				
-038	3/4" [19.05]	5/8" [15.88]	Same as Liquid Line Size Table				
		3/4" [19.05]*	NA				
		7/8" [22.23]	NA				
-049	7/8" [22.22]	5/8" [15.88]	Same as Liquid Line Size Table				
		3/4" [19.05]	Same as Liquid Line Size Table				
		7/8" [22.23]*	Same as Liquid Line Size Table				
-061	7/8" [22.22]	3/4" [19.05]	Same as Liquid Line Size Table				
		7/8" [22.23]*	Same as Liquid Line Size Table				
		1-1/8" [28.58]	NA				

\*Standard line size.

NOTE: N/A = Application not recommended. Using suction line larger than recommended will result in poor oil return.

[ ] Designates Metric Conversions

SUCTION LINE SIZE - OUTDOOR UNIT BELOW INDOOR COIL							
R-410A System Capacity Model	Line Size Connection Size (Inch I.D.) [mm]	Line Size (Inch O.D.) [mm]	Suction Line Size				
			Outdoor Unit BELOW Indoor Coil (Cooling Only - Does not apply to Heat Pumps)				
			Total Equivalent Length - Feet [m]				
			25 [7.62]	50 [15.24]	75 [22.86]	100 [30.48]	125 [45.72]
-025	3/4" [19.05]	5/8" [15.88]	Same as Liquid Line Size Table				
		3/4" [19.05]*	Same as Liquid Line Size Table		N/A		
		7/8" [22.23]	N/A				
-038	3/4" [19.05]	5/8" [15.88]	Same as Liquid Line Size Table				
		3/4" [19.05]*	Same as Liquid Line Size Table				
		7/8" [22.23]	N/A				
-049	7/8" [22.23]	5/8" [15.88]	Same as Liquid Line Size Table				
		3/4" [19.05]	Same as Liquid Line Size Table				
		7/8" [22.23]*	Same as Liquid Line Size Table				
-061	7/8" [22.23]	3/4" [19.05]	Same as Liquid Line Size Table				
		7/8" [22.23]*	Same as Liquid Line Size Table				
		1-1/8" [28.58]	N/A				

\*Standard line size.

NOTE: N/A = Application not recommended. Using suction line larger than recommended will result in poor oil return.

## Vapor Line Capacity Multiplier

RARL- Unit Vapor Line Connection Size (Inches I.D.) [mm]		025	038	049	061
		3/4" [19.05] I.D. Sweat	3/4" [19.05] I.D. Sweat	7/8" [22.23] I.D. Sweat	7/8" [22.23] I.D. Sweat
Vapor Line Run Feet [m]		Vapor Line Diameter (inches O.D.) [mm]			
		5/8" [15.88] Optional	5/8" [15.88] Optional	5/8" [15.88] Optional	3/4" [19.05] Optional
		3/4" [19.05] Standard	3/4" [19.05] Standard	3/4" [19.05] Standard	7/8" [22.23] Standard
		—	—	7/8" [22.23] Optional	—
25' [7.62]	Optional	1.00	0.98	0.98	0.99
	Standard	1.00	1.00	1.00	1.00
	Optional	N/A	N/A	1.02	N/A
50' [15.24]	Optional	0.99	0.96	0.96	0.97
	Standard	1.00	0.99	0.99	0.99
	Optional	N/A	N/A	1.00	N/A
75' [22.86]	Optional	0.98	0.96	0.94	0.96
	Standard	0.99	0.98	0.96	0.99
	Optional	N/A	N/A	1.00	N/A
100' [30.48]	Optional	0.97	0.94	0.92	0.95
	Standard	N/A	N/A	0.98	0.98
	Optional	N/A	N/A	N/A	N/A
125' [38.10]	Optional	0.97	0.93	0.90	0.94
	Standard	N/A	N/A	0.97	0.97
	Optional	N/A	N/A	N/A	N/A
150' [45.72]	Optional	0.96	0.92	0.88	0.93
	Standard	N/A	N/A	0.96	0.97
	Optional	N/A	N/A	N/A	N/A

**NOTES:**

1. Do NOT exceed the limits in the liquid and suction line sizing charts.
2. Do NOT use 7/8 OD suction lines in 2 or 3-ton applications.
3. Do NOT use 1-1/8 OD suction line in ANY application.
4. 2 and 3-ton line sets over 75 feet MUST use the optional suction line.

[ ] Designates Metric Conversions

### GENERAL TERMS OF LIMITED WARRANTY\*

Rheem will furnish a replacement for any part of this product which fails in normal use and service within the applicable period stated, in accordance with the terms of the limited warranty.

**\*For complete details of the Limited and Conditional Warranties, including applicable terms and conditions, contact your local contractor or the Manufacturer for a copy of the product warranty certificate.**

Conditional Unit Replacement (Registration Required) .....	Ten (10) Years
Parts .....	Ten (10) Years





The new degree of comfort.™

*In keeping with its policy of continuous progress and product improvement, Rheem reserves the right to make changes without notice.*

Rheem Heating, Cooling & Water Heating • P.O. Box 17010  
Fort Smith, Arkansas 72917 • [www.rheem.com](http://www.rheem.com)

Rheem Canada Ltd./Ltée • 125 Edgeware Road, Unit 1  
Brampton, Ontario • L6Y 0P5



INTEGRATED HOME COMFORT

PRINTED IN U.S.A 06/12 QG FORM NO. A11-212