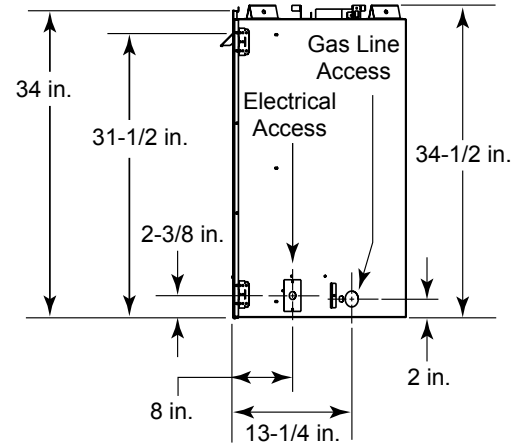
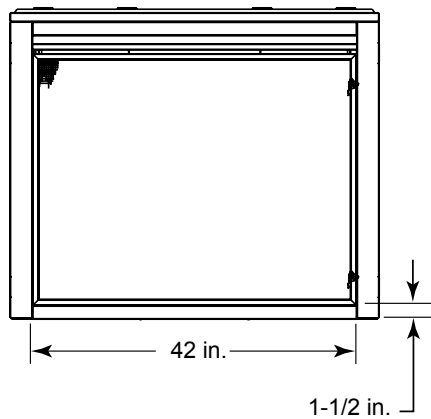
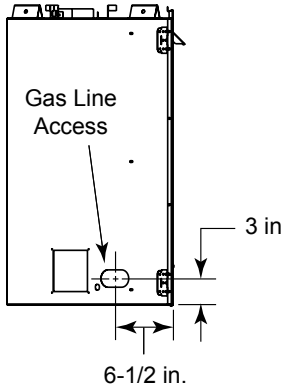
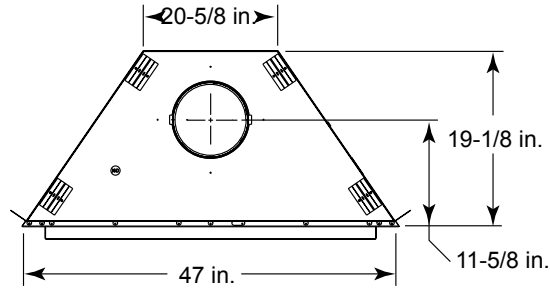




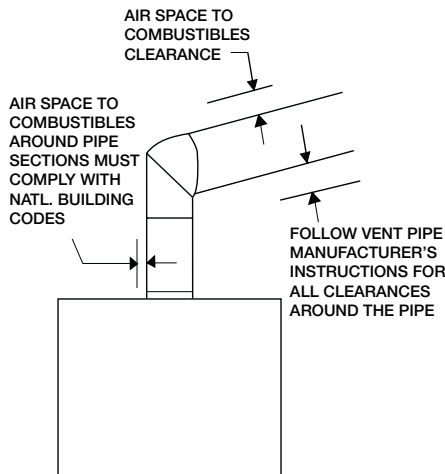
Please consult the manufacturer's installation manual for all details and requirements before making a final design layout decision.

NBV4842
Single-sided Gas Fireplace

| MODEL | HEIGHT | | FRONT WIDTH | | BACK WIDTH | | DEPTH | | VIEWING AREA |
|---------|--------|---------|-------------|---------|------------|---------|--------|---------|--------------|
| | Actual | Framing | Actual | Framing | Actual | Framing | Actual | Framing | |
| NBV4842 | 34-1/2 | 34-7/8 | 47 | 48 | 20-5/8 | 48 | 19-1/8 | 19-5/8 | 42 x 20 |



GUIDELINES FOR VERTICAL VENTING WITH A TWO-ELBOW CONFIGURATION

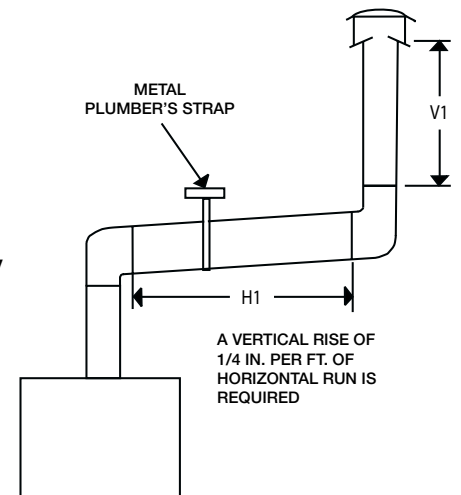


WARNING!!

Fire Risk.

Consult installation manual for installation clearances and details.

- Maximum vertical (V1) = 60 ft. (18.3 m) from base of application to termination.
- Minimum vertical vent = 12 ft. (3.7 m) from base of application to termination.
- Vertical (V1) to horizontal (H1) ratio = 2:1 every 2 ft. of V1 allows 1 ft. maximum of H1.
- Maximum length of horizontal (H1) is 50% of (V1) & cannot be more than 30 ft. (9.2 m).
- This product must terminate vertically.
- Use B-vent pipe coupled with an attic shield.
- Maintain 1/2 in. (13 mm) minimum clearance to combustibles from the back and sides of the fireplace.



DISCLAIMER: This information is intended for reference only, and is subject to change without notice. Refer to www.heatilator.com to view the installation manual for detailed information, or work with a fireplace dealer when planning and installing this unit.

FIREPLACE LOCATIONS AND DIMENSIONS

1/2 in. (13 mm) min. appliance to combustibles

Drywall

Alcove Installation

48 in. (1219 mm) max.

In addition to these framing dimensions, also reference the following sections:

- Clearances and Mantel Projections (Sections 3.C. and 3.D.)
- Vent Clearances and Framing (Section 6)

Extremely tight corner fit!

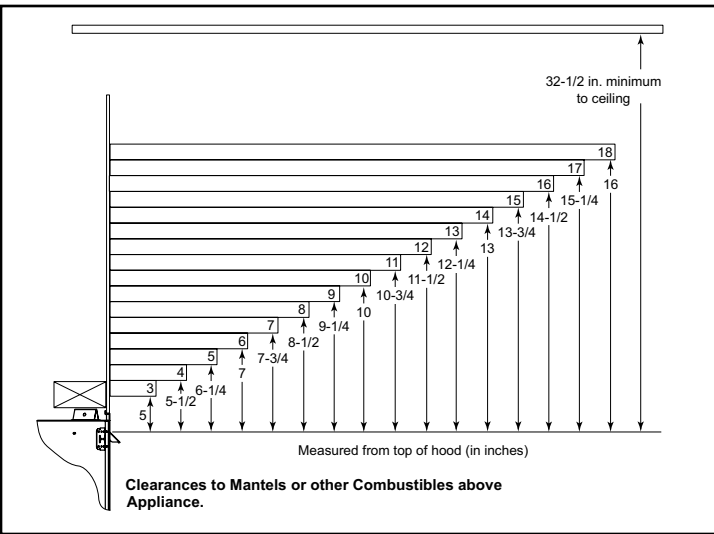
| Model | A | B | C | D |
|---------|-----|---------|---------|-----|
| NBV4842 | 48" | 41-7/8" | 19-5/8" | 49" |

FRAMING

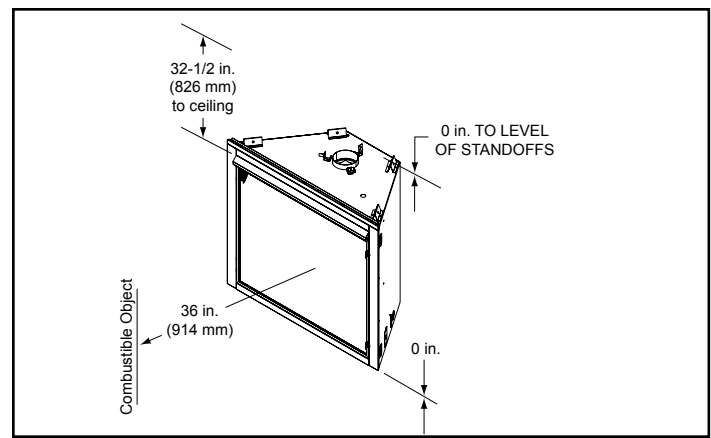
Per Manufacturer's Specifications

| Model | A Rough Opening (Width) | B Rough Opening (Height) | C Rough Opening (Depth) |
|---------|-------------------------------|--------------------------------|-------------------------------|
| NBV4842 | 48" | 34-7/8" | 19-5/8" |

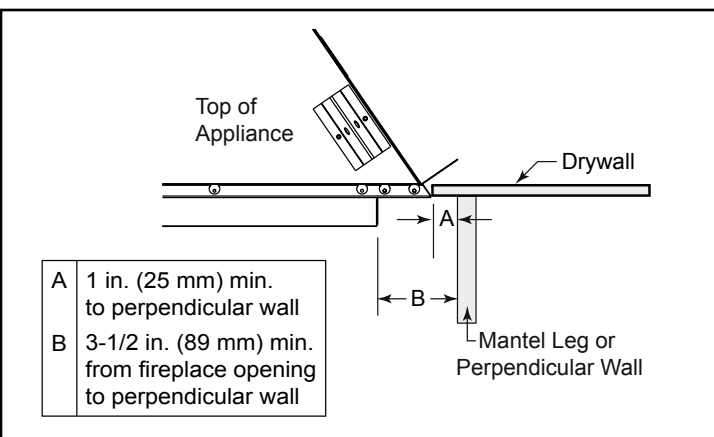
MANTEL PROJECTIONS



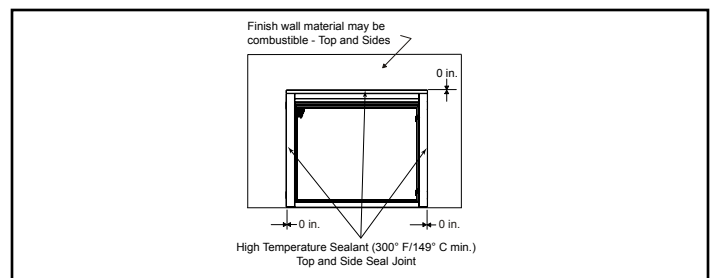
APPLIANCE CLEARANCES



CLEARANCE TO PERPENDICULAR WALLS



NONCOMBUSTIBLE FACING



PRODUCT LISTING CODES

| | |
|-----|------------------|
| US | ANSI Z21.88-2002 |
| CAN | CGA 2.2 |
| | UL307B |

Product information provided is not complete and is subject to change without notice. Product installation must adhere strictly to instructions accompanying product to avoid risk of fire and potential injury.

Additional information can be found online at www.heatilator.com