

Heat-Zone-Gas Air Duct Kit

- Installation & Operation Instructions -

APPROVALS

The flexible duct in this Heat-Zone-Gas air duct kit is manufactured and marked to the requirements of UL-181, Class I air duct.

INTRODUCTION

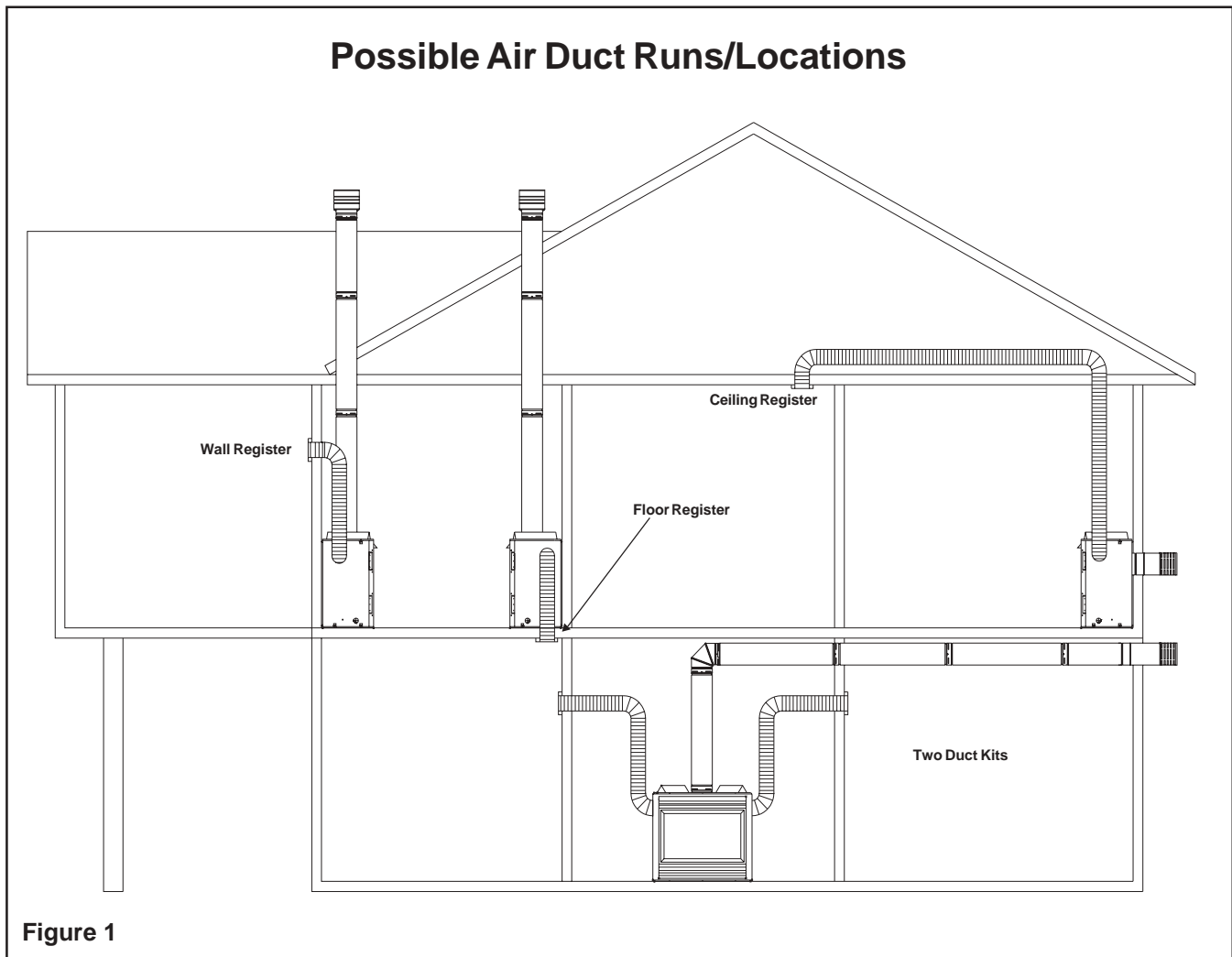
The Heat-Zone-Gas accessory kit conveys warm air from the fireplace through air duct(s) to remote locations in the same room or other rooms of the building. See Figure 1. One or two Heat-Zone-Gas kits can be installed on the fireplace.

PRELIMINARY PREPARATION

Contents of kit:

DESCRIPTION	SERVICE PART NO.
20 Ft Length of 6" Round Duct	659-200
Fan Housing Assembly	659-001A
Junction Box	659-122
Variable Wall Rheostat	BC10
Air Register	659-150
Register Adaptor Frame-Thick	695-125
Fireplace Duct Collar	659-125
Duct Adaptor (Round to Oval)	659-129
Hardware Bag	659-900A

*If any parts are missing or damaged, contact your Dealer before starting installation. **DO NOT** install a damaged kit. Be sure to also reference the fireplace Installers Guide.*



This kit is tested and safe when installed in accordance with this installation manual. It is your responsibility to read all instructions before starting installation and to follow these instructions carefully during installation.

Installation of this kit **MUST** be performed by a qualified service technician.

The Heat-Zone-Gas kit is carefully engineered and must be installed only as specified. If you modify it or any of its components you will void the warranty, and you may possibly cause a fire hazard. Installation must be done according to applicable local, state, provincial, and/or national codes.

CAUTION: All wiring should be done by a qualified electrician and shall be in compliance with local codes and with the National Electric Code ANSI/NFPA No. 70-current (In the United States), or with the current CSC22.1 Canadian Electric Code (in Canada).

Plan the location of the fireplace and the warm air duct run(s).

MAXIMUM Duct Run = **20-ft. (6.1m)** for useful heat output.

MINIMUM Duct Run = **NA** - for runs out from the fireplace to adjacent room OR down to the room below.

MINIMUM Duct Run = **31-in. (787mm)** top of fireplace to room above.

INSTALLATION

Install the Heat-Zone-Gas kit following instructions in the fireplace Installer's Guide.

FAN & ELECTRICAL CONNECTIONS

The fan and electrical connections must be accessible for servicing per local code requirements.

Mount and secure the fan housing assembly to framing members so the front surface is 1/4 -in. (6mm) below the finished wall or floor surface. Use the adjustable mounting brackets and screws provided in the kit. See Figure 2. **NOTE:** The brackets can be rotated 180° and mounted to the back side of the 2 x 4 if necessary.

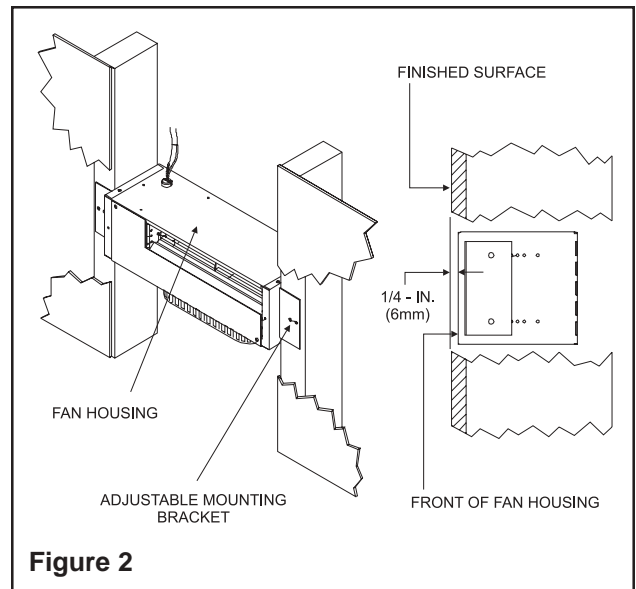


Figure 2

NOTE: If the fan housing is installed in a 2 x 4 wall, the front of the housing will protrude approximately 1/2 - in. (13mm) out of the wall. See Figure 3.

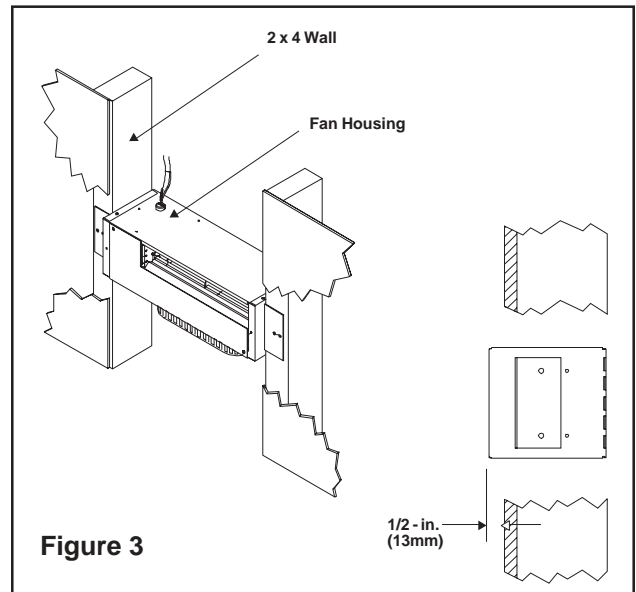


Figure 3

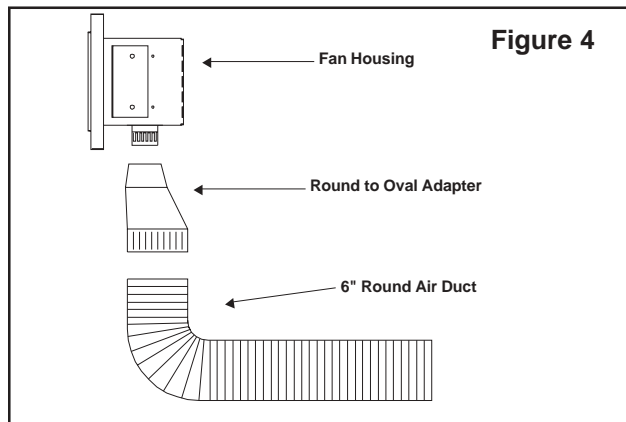
Install the air duct run. **NOTE:** Fold outer poly layer of flexible duct back to maintain clearance to combustibles on the fireplace. Secure liner to the collar with clamp provided.

ROUND AIR DUCT: Attach the 6" round air duct (supplied in the kit) to the fireplace collar with sheet metal screws and run the duct to the fan housing. Attach the round-to-oval adapter to the fan housing and the air duct to the adapter. See Figure 4.

OVAL AIR DUCT: Attach the round-to-oval adapter to the fireplace starting collar with sheet metal screws and a 6" oval duct to the adapter. Complete the duct run and attach the oval duct to the fan housing. **NOTE:** 6" metal oval air duct is NOT provided with this kit but can be purchased from an HVAC supplier.

ROUND and OVAL DUCT: A combination of 6" round and 6" oval air duct can be used in the duct run. Oval duct components must be purchased from an HVAC supplier.

Support duct at intervals of no greater than four feet, with no more than 1/2" sag between supports as required by local code. **NOTE:** Secure the duct so that clearance to the fireplace outer wrap is maintained. Tape all seams with aluminum tape (1-1/4" minimum width, or as specified by local codes).



Install the variable speed (with "OFF" setting) wall Rheostat in a convenient location. This switch will control the HEAT-ZONE-GAS fan operation.

Remove duct cover. Wire 110 VAC service TO the wall Rheostat and FROM the wall Rheostat to the fan junction box. Use wire nuts to secure the 110 VAC service wires to the hot and neutral fan wires and screw the 110 VAC ground wire to the fan box. See Wiring Diagram - Figure 5.

Screw the duct cover to the fan box.

Screw the register adapter frame and the air register to the fan housing.

Complete the fireplace installation per instructions.

OPERATION

Start the fireplace per instructions and allow it to warm up.

Turn the wall Rheostat "ON" and adjust the variable speed based upon desired air flow at the air duct register.

MAINTENANCE

Service and maintain the gas fireplace per instructions. Keep the air register(s) clean and free of any blockage.

