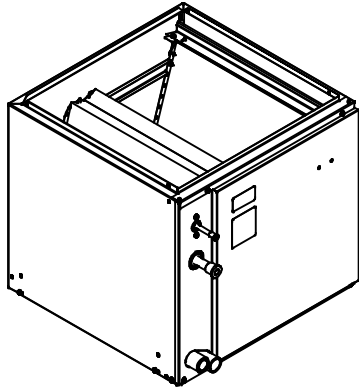


CNPVP, CNPVT, CNPVU, CNRVU
 Evaporator Coil
 N Coil – Cased and Uncased
 Upflow, Downflow

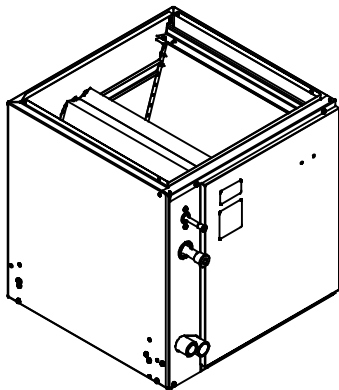


Product Data



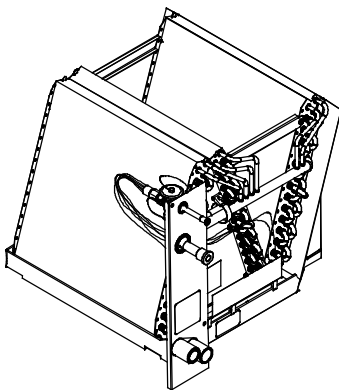
CNPVP

A06008



CNPVT (Transition)

A06007



CN(P,R)VU

A06004

This vertical design N-coil is a furnace coil designed to provide the highest standards of reliability and durability. The coils are available for use in Puron®, R-410A refrigerant and R-22 systems.

Both designs have a painted case and come with factory-installed thermostatic expansion valves (TXV). The coils are offered in different width configurations for use in multiple installation applications. Additionally, they are offered in a transition configuration, a design which simplifies making field-supplied transition duct configurations. Easy maintenance is provided as the coil slides out of the cabinet after removing the access door and service panel. The coils are available in sizes 018 through 061 (1-1/2 to 5 tons).

Transition coil models CNPVT are designed for use with one size smaller width furnaces without field modifications.

Aluminum Coils - "L" models are built with aluminum hairpins, designed to resist both general pitting corrosion and excessive indoor Formicary Corrosion. (Formicary Corrosion is an industry phenomenon.)

STANDARD FEATURES

Water Management — These coil designs do an excellent job of water management. The coils are designed to avoid water blow-off into the ducts by directing condensate away from the fins and into the drain pan.

Durable Condensate Pan — Each coil is equipped with a corrosion-resistant condensate drain pan. The condensate drain pan is designed with a slope to help ensure proper drainage, improved moisture removal, and home comfort.

Compact Design — Unique design offers as much as 2 to 4 in. (51 to 102 mm) less in height to aid in tight installations.

Brass Inserts — Every condensate pan features two 3/4 in. female threaded brass insert connections. The unique brass inserts provide for a leak-free condensate line connection to prevent water damage.

Refrigerant Connections — The coils are provided with proven sweat-connections for leak-free operation maintaining system reliability.

Burst Pressures — These coils meet or exceed burst pressure of 2100 psi which is at least three to five times the pressure they will see in actual application.

Thermostatic Expansion Valves (TXV) — All Carrier coils have refrigerant-specific factory-installed TXVs.

Teflon Ring — The ring, installed inside the liquid line connection at the TXV, is the best option for preventing refrigerant leaks and future service calls. Teflon works with both Puron, R-410A, the environmentally friendly refrigerant and R-22 refrigerants.

Protective Tube Sheets — Protect the durable copper tubing from being damaged during the manufacturing and installation process.

MODEL NUMBER NOMENCLATURE

1 2 3 4 5 6 7 8 9 10 11 12
 C N P V P 1 8 1 4 A C A

Product

C = Coil

Type

N = N Coil

Refrigerant Type

P = Puron Refrigerant TXV

R = R-22 TXV

Coil Configuration

V = Upflow / Downflow

Cabinet Finish

P = Painted

U = Uncased

T = Transition N

Variations

A = Basic

Tubing Design

C = Copper (Puron Only)

L = Aluminum (R-22 & Puron)

T = Tin-Plated Copper (R-22 & Puron)

Revision Level

A = 1st

Cabinet Width

14 = 14-in. / 356mm

17 = 17-in. / 432mm

21 = 21-in. / 533mm

24 = 24-in. / 610mm

Unit Capacity

18 = 1 1/2 Ton

19 = 1 1/2 Ton

24 = 2 Ton

30 = 2 1/2 Ton

31 = 2 1/2 Ton

36 = 3 Ton

37 = 3 Ton

42 = 3 1/2 Ton

43 = 3 1/2 Ton

48 = 4 Ton

60 = 5 Ton

61 = 5 Ton

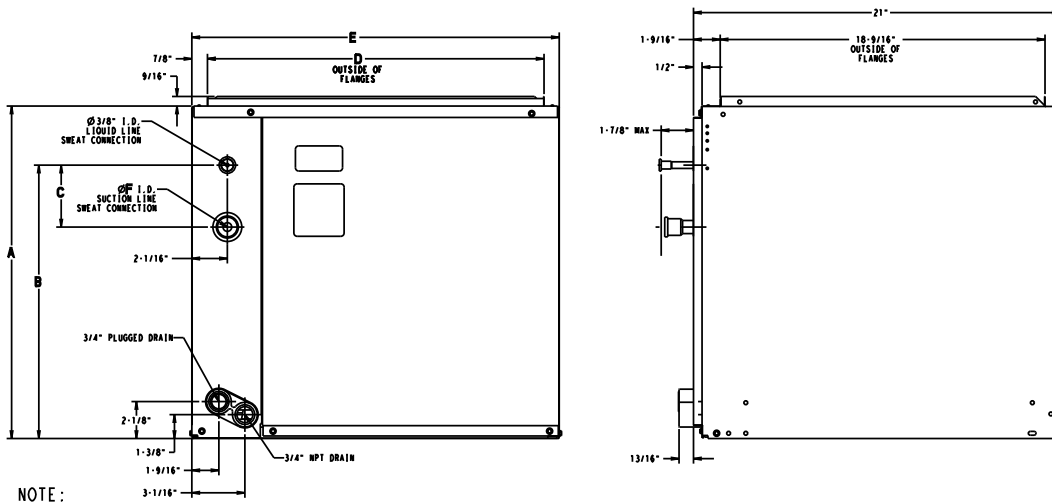


Use of the AHRI Certified TM Mark indicates a manufacturer's participation in the program. For verification of certification for individual products, go to www.ahridirectory.org.



ISO 9001
 QMS-SAI Global

DIMENSIONS



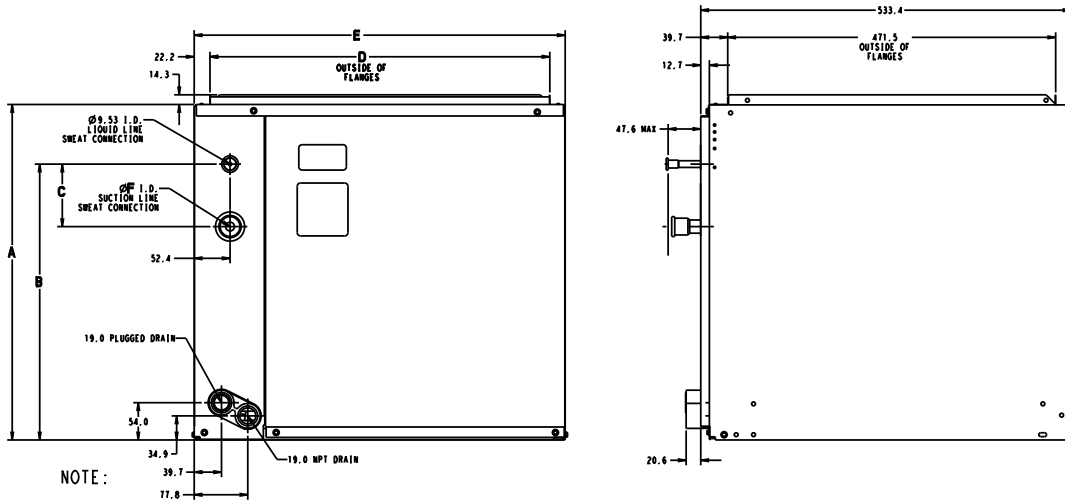
NOTE:

1. SERIES DESIGNATION IS THE 14TH POSITION OF UNIT MODEL NUMBER.
2. IN THE ELEVENTH POSITION (#) THE "C" DESIGNATES NON-COATED HAIRPINS AND "T" DESIGNATES TIN-COATED HAIRPINS.
3. ALL DIMENSIONS ARE IN "INCHES" UNLESS NOTED.

UNIT	SERIES	A	B	C	D	E	F	SHIPPING WT (LBS) _C_ NON-COATED HAIRPINS	SHIPPING WT (LBS) _T_ TIN-COATED HAIRPINS
CNPVP1814A#A	C	12 5/8"	10 1/16"	5 5/16"	12 1/2"	14 3/16"	5/8"	36.0	38.5
CNPVP2414A#A	C	14 5/8"	12 1/16"	5 5/16"	12 1/2"	14 3/16"	5/8"	39.5	40.0
CNPVP2417A#A	C	14 5/8"	10 1/16"	3 9/16"	15 3/4"	17 1/2"	5/8"	39.5	42.5
CNPVP3014A#A	C	17"	13 5/8"	5 5/16"	12 1/2"	14 3/16"	3/4"	46.5	50.0
CNPVP3017A#A	C	17"	13 7/8"	3 9/16"	15 3/4"	17 1/2"	3/4"	47.0	49.5
CNPVP3617A#A	C	17"	13 7/8"	3 9/16"	15 3/4"	17 1/2"	3/4"	48.5	51.0
CNPVP3621A#A	C	17"	13 9/16"	3 9/16"	19 1/4"	21"	3/4"	48.0	51.0
CNPVP4217A#A	C	21 1/8"	13 7/8"	3 9/16"	15 3/4"	17 1/2"	7/8"	52.0	55.0
CNPVP4221A#A	C	19"	15 5/8"	3 9/16"	19 1/4"	21"	7/8"	56.5	59.5
CNPVP4821A#A	C	22 1/16"	17 1/2"	3 9/16"	19 1/4"	21"	7/8"	65.5	68.5
CNPVP4824A#A	C	22 1/16"	17 1/4"	3 9/16"	22 3/4"	24 1/2"	7/8"	62.0	65.0
CNPVP6024A#A	C	26 7/8"	17 15/16"	3 9/19"	22 3/4"	24 1/2"	7/8"	78.0	80.5

UNIT	SERIES	A	B	C	D	E	F	SHIPPING WT (LBS) A - Aluminum Hairpins
CNPVP1814ALA	A	12 5/8"	10 1/16"	5 5/16"	12 1/2"	14 3/16"	5/8"	36.0
CNPVP1917ALA	A	17"	13 7/8"	3 9/16"	15 3/4"	17 1/2"	3/4"	35.9
CNPVP2414ALA	A	14 5/8"	12 1/16"	5 5/16"	12 1/2"	14 3/16"	5/8"	39.5
CNPVP2417ALA	A	14 5/8"	10 1/16"	3 9/16"	15 3/4"	17 1/2"	5/8"	39.5
CNPVP3014ALA	A	17"	13 5/8"	5 5/16"	12 1/2"	14 3/16"	3/4"	46.5
CNPVP3017ALA	A	17"	13 7/8"	3 9/16"	15 3/4"	17 1/2"	3/4"	47.0
CNPVP3117ALA	A	23 1/4"	17 1/2"	3 9/16"	15 3/4"	17 1/2"	3/4"	46.3
CNPVP3617ALA	A	17"	13 7/8"	3 9/16"	15 3/4"	17 1/2"	3/4"	48.5
CNPVP3621ALA	A	17"	13 9/16"	3 9/16"	19 1/4"	21"	3/4"	48.0
CNPVP3717ALA	A	27 3/16"	17 1/2"	3 9/16"	15 3/4"	17 1/2"	7/8"	45.2
CNPVP4217ALA	A	21 1/8"	13 7/8"	3 9/16"	15 3/4"	17 1/2"	7/8"	52.0
CNPVP4221ALA	A	19"	15 5/8"	3 9/16"	19 1/4"	21"	7/8"	56.5
CNPVP4324ALA	A	26 5/16"	17 15/16"	3 9/16"	22 3/4"	24 1/2"	7/8"	58.0
CNPVP4821ALA	A	22 1/16"	17 1/2"	3 9/16"	19 1/4"	21"	7/8"	65.5
CNPVP4824ALA	A	22 1/16"	17 1/4"	3 9/16"	22 3/4"	24 1/2"	7/8"	62.0
CNPVP6024ALA	A	26 7/8"	17 15/16"	3 9/19"	22 3/4"	24 1/2"	7/8"	78.0
CNPVP6124ALA	A	32 7/16"	17 15/16"	3 9/16"	22 3/4"	24 9/16"	7/8"	83.5

DIMENSIONS (cont.)



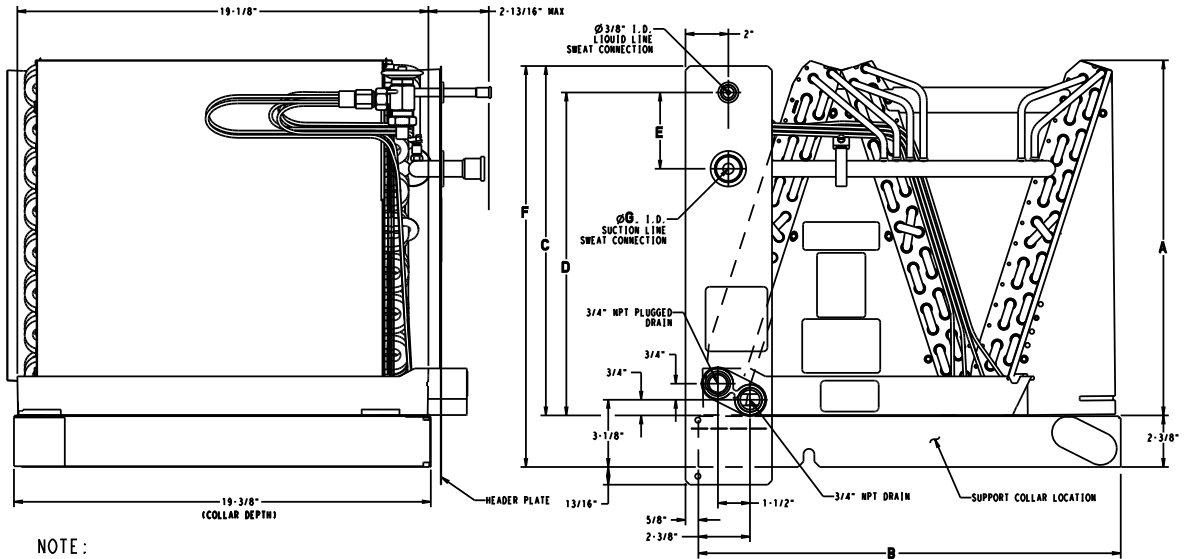
NOTE:

1. SERIES DESIGNATION IS THE 14TH POSITION OF UNIT MODEL NUMBER.
2. IN THE ELEVENTH POSITION (#) THE "C" DESIGNATES NON-COATED HAIRPINS AND "T" DESIGNATES TIN-COATED HAIRPINS.
3. ALL DIMENSIONS ARE IN "MM" UNLESS NOTED.

UNIT	SERIES	A	B	C	D	E	F	SHIPPING WT (Kgs) _C_NON-COATED HAIRPINS	SHIPPING WT (Kgs) _T_TIN-COATED HAIRPINS
CNPVP1814A#A	C	320.7	255.6	135.0	317.5	360.4	15.88	16.3	17.5
CNPVP2414A#A	C	371.5	306.4	135.0	317.5	360.4	15.88	17.9	18.1
CNPVP2417A#A	C	371.5	255.6	90.5	400.0	444.5	15.88	17.9	19.3
CNPVP3014A#A	C	431.8	346.1	135.0	317.5	360.4	19.05	21.1	22.7
CNPVP3017A#A	C	431.8	352.4	90.5	400.0	444.5	19.05	21.3	22.4
CNPVP3617A#A	C	431.8	352.4	90.5	400.0	444.5	19.05	22.0	23.1
CNPVP3621A#A	C	431.8	344.5	90.5	489.0	533.4	19.05	21.8	23.1
CNPVP4217A#A	C	536.6	352.4	90.5	400.0	444.5	22.23	23.6	24.9
CNPVP4221A#A	C	482.6	396.9	90.5	489.0	533.4	22.23	25.6	27.0
CNPVP4821A#A	C	560.4	444.5	90.5	489.0	533.4	22.23	29.7	31.1
CNPVP4824A#A	C	560.4	438.2	90.5	577.8	622.3	22.23	28.1	29.5
CNPVP6024A#A	C	682.6	455.6	90.5	577.8	622.3	22.23	35.4	36.5

UNIT	SERIES	A	B	C	D	E	F	SHIPPING WT (Kgs)
CNPVP1814ALA	A	320.7	255.6	135.0	317.5	360.4	15.88	16.3
CNPVP1917ALA	A	432.4	352.4	90.0	400.3	445.1	19.05	16.3
CNPVP2414ALA	A	371.5	306.4	135.0	317.5	360.4	15.88	17.9
CNPVP2417ALA	A	371.5	255.6	90.0	400.0	444.5	15.88	17.9
CNPVP3014ALA	A	431.8	346.1	135.0	317.5	360.4	19.05	21.1
CNPVP3017ALA	A	431.8	352.4	90.0	400.0	444.5	19.05	21.3
CNPVP3117ALA	A	591.2	444.0	90.0	400.3	445.1	19.05	21.0
CNPVP3617ALA	A	431.8	352.4	90.0	400.0	444.5	19.05	22.0
CNPVP3621ALA	A	431.8	344.5	90.0	489.0	533.4	19.05	21.8
CNPVP3717ALA	A	690.6	444.0	90.0	400.3	445.1	22.23	20.5
CNPVP4217ALA	A	536.6	352.4	90.0	400.0	444.5	22.23	23.6
CNPVP4221ALA	A	482.6	396.9	90.0	489.0	533.4	22.23	25.6
CNPVP4324ALA	A	668.8	455.2	90.0	578.1	622.9	22.23	26.3
CNPVP4821ALA	A	560.4	444.5	90.0	489.0	533.4	22.23	29.7
CNPVP4824ALA	A	560.4	438.2	90.0	577.8	622.3	22.23	28.1
CNPVP6024ALA	A	682.6	455.6	90.0	577.8	622.3	22.23	35.4
CNPVP6124ALA	A	824.0	455.2	90.0	578.1	623.5	22.23	37.9

DIMENSIONS (cont.)



NOTE:

1. SERIES DESIGNATION IS THE 14TH POSITION OF UNIT MODEL NUMBER.
2. ALL DIMENSIONS ARE IN "INCHES" UNLESS NOTED.

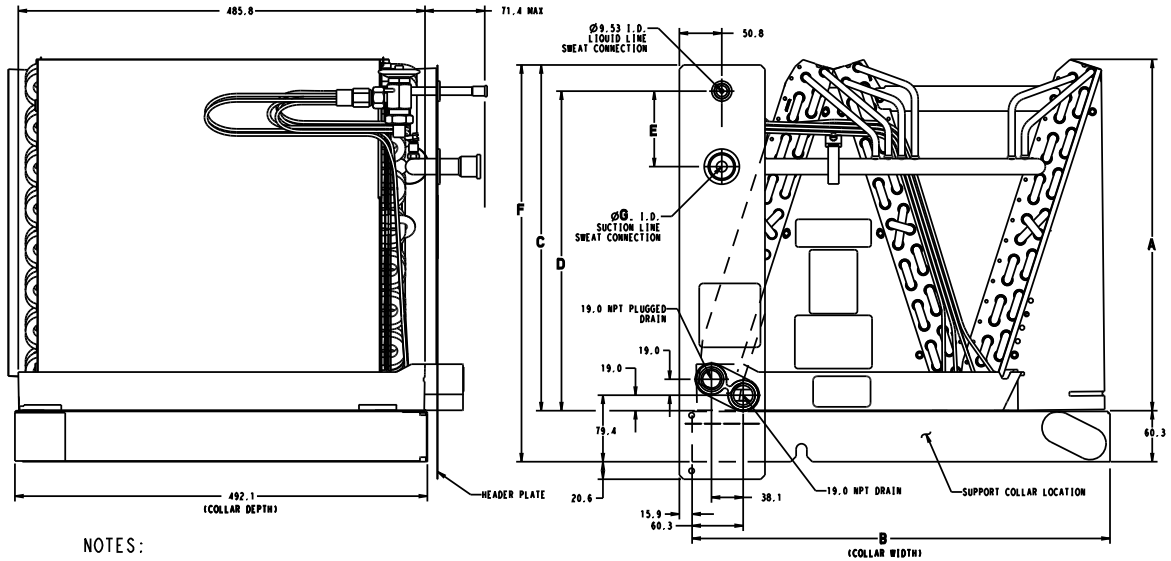
UNIT	SERIES	A	B (COLLAR WIDTH)	C	D	E	F	G	SHIPPING WT (LBS) _C_ NON-COATED HAIRPINS	SHIPPING WT (LBS) _T_ TIN-COATED HAIRPINS	SHIPPING WT (LBS) A-Aluminum Hairpins
CNPVU1917	B	14 11/16"	16 1/4"	14 1/2"	13 1/4"	3 9/16"	16 15/16"	3/4"	34.2	36.8	32.8
CNPVU3117	B	20 3/4"	16 1/4"	18 1/16"	16 13/16"	3 9/16"	20 7/16"	3/4"	43.0	46.5	41.3
CNPVU3717	B	24 3/4"	16 1/4"	18 1/16"	16 13/16"	3 9/16"	20 7/16"	7/8"	50.7	53.6	48.7
CNPVU4324	B	24 3/8"	23 1/8"	18 9/16"	17 5/16"	3 9/16"	20 15/16"	7/8"	57.3	60.4	55.0
CNPVU6124	B	30 1/2"	23 1/8"	18 9/16"	17 5/16"	3 9/16"	20 15/16"	7/8"	66.1	69.2	63.5

CN(P,R)VU

UNIT	SERIES	A	B (COLLAR WIDTH)	C	D	E	F	G	SHIPPING WT (LBS) C-Non-Coated Hairpins	SHIPPING WT (LBS) T- Tin Coated Hairpins	SHIPPING WT (LBS) A- Aluminum Hairpins
CN*VU1814	C	10 7/8"	12 7/8"	10 5/8"	9 3/8"	5 5/16"	13"	5/8"	19.5	20.7	18.7
CN*VU2414	C	12 7/8"	12 7/8"	12 5/8"	11 7/16"	5 5/16"	15"	5/8"	23.5	24.9	22.6
CN*VU2417	C	12 11/16"	16 1/4"	10 5/8"	9 3/8"	3 9/16"	13"	5/8"	24.5	26.0	23.5
CN*VU3014	C	14 7/8"	12 7/8"	14 3/16"	13"	5 5/16"	16 9/16"	3/4"	25.5	27.0	24.5
CN*VU3017	C	14 11/16"	16 1/4"	14 7/16"	13 1/4"	3 9/16"	16 13/16"	3/4"	25.5	27.0	24.5
CN*VU3617	C	14 11/16"	16 1/4"	14 7/16"	13 1/4"	3 9/16"	16 13/16"	3/4"	28.5	30.2	27.4
CN*VU3621	C	14 7/16"	19 5/8"	14 7/16"	12 15/16"	3 9/16"	16 5/8"	3/4"	28.5	30.2	27.4
CN*VU4221	C	16 1/2"	19 5/8"	16 3/16"	15"	3 9/16"	18 9/16"	7/8"	31.5	33.4	30.2
CN*VU4821	C	20 9/16"	19 5/8"	18 1/16"	16 7/8"	3 9/16"	20 7/16"	7/8"	35.5	37.6	34.1
CN*VU4824	C	20 5/16"	23 1/8"	17 7/8"	16 5/8"	3 9/16"	20 1/4"	7/8"	36.5	38.7	35.0
CN*VU6024	C	24 3/8"	23 1/8"	18 1/2"	17 5/16"	3 9/16"	20 7/8"	7/8"	37.5	39.8	36.0

A12321

DIMENSIONS (cont.)



NOTES:

1. SERIES DESIGNATION IS THE 14TH POSITION OF UNIT MODEL NUMBER.
2. ALL DIMENSIONS ARE IN "MM" UNLESS NOTED.

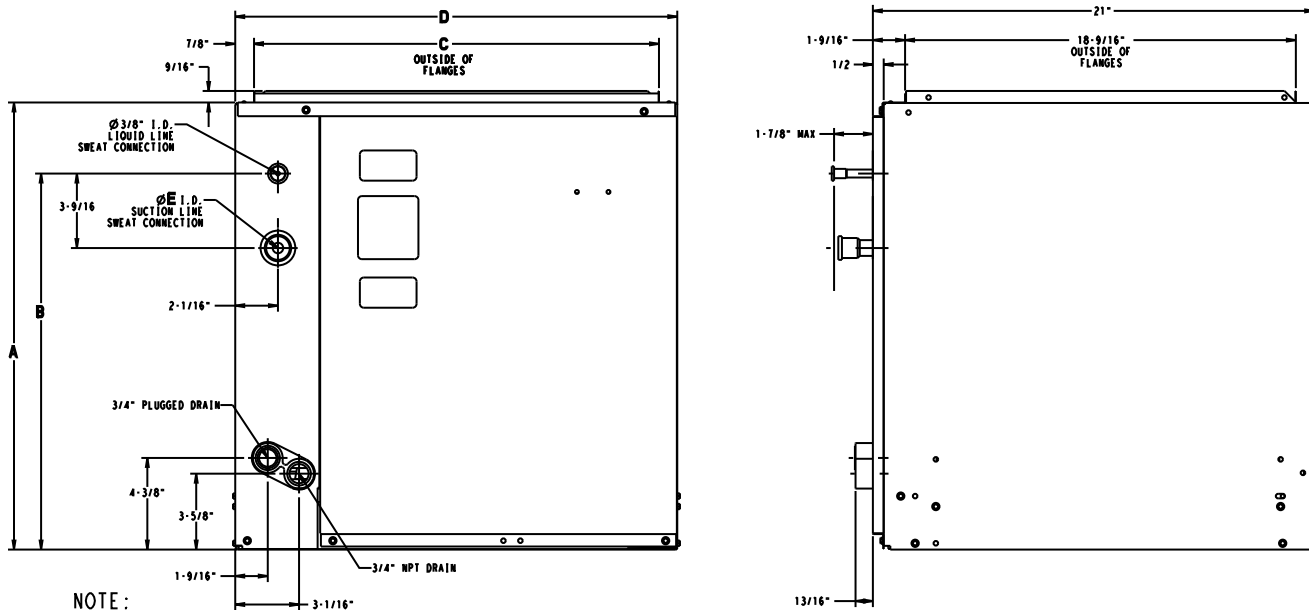
UNIT	SERIES	A	B (COLLAR WIDTH)	C	D	E	F	G	SHIPPING WT (Kgs) _C_ NON-COATED HAIRPINS	SHIPPING WT (Kgs) _T_ TIN-COATED HAIRPINS	SHIPPING WT (Kgs) A-Aluminum Hairpins
CNPVU1917	B	372.9	412.8	369.0	337.2	90.5	429.3	19.05	15.5	16.7	14.9
CNPVU3117	B	526.5	412.8	459.1	427.3	90.5	519.4	19.05	19.5	21.1	18.7
CNPVU3717	B	628.6	412.8	459.1	427.3	90.5	519.4	22.23	23.0	24.3	22.7
CNPVU4324	B	619.4	587.4	471.6	439.8	90.5	531.9	22.23	26.0	27.4	25.0
CNPVU6124	B	774.0	587.4	471.6	439.8	90.5	531.9	22.23	30.0	31.4	29.0

CN(P,R)VU

UNIT	SERIES	A	B (COLLAR WIDTH)	C	D	E	F	G	SHIPPING WT (Kgs) C-Non-Coated Hairpins	SHIPPING WT (Kgs) T - Tin Coated Hairpins	SHIPPING WT (Kgs) A - Aluminum Hairpins
CN*VU1814	C	276.2	327.0	269.9	238.1	135.0	330.2	15.88	8.8	9.4	8.8
CN*VU2414	C	327.0	327.0	12 5/8"	290.5	135.0	381.0	15.88	10.7	11.3	10.7
CN*VU2417	C	322.3	412.8	269.9	238.1	90.5	330.2	15.88	11.1	11.8	11.1
CN*VU3014	C	377.8	327.0	360.4	330.2	135.0	420.7	19.05	11.6	12.3	11.6
CN*VU3017	C	373.1	412.8	366.7	336.6	90.5	427.0	19.05	11.6	12.3	11.6
CN*VU3617	C	373.1	412.8	366.7	336.6	90.5	427.0	19.05	12.9	13.7	12.9
CN*VU3621	C	366.7	498.5	366.7	328.6	90.5	422.3	19.05	12.9	13.7	12.9
CN*VU4221	C	419.1	498.5	411.2	381.0	90.5	471.5	22.23	14.3	15.2	14.3
CN*VU4821	C	522.3	498.5	458.8	428.6	90.5	519.1	22.23	16.1	17.1	16.1
CN*VU4824	C	516.0	587.4	454.0	422.3	90.5	514.4	22.23	16.6	17.6	16.6
CN*VU6024	C	619.1	587.4	469.9	439.8	90.5	530.2	22.23	17.0	18.1	17.0

A12322

DIMENSIONS (cont.)



NOTE:

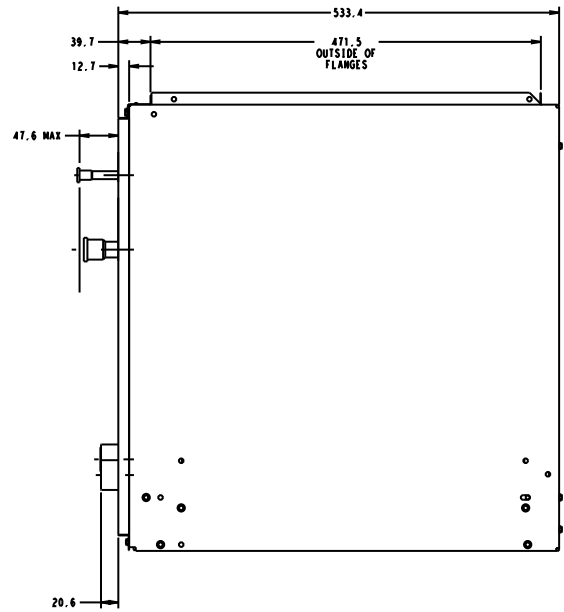
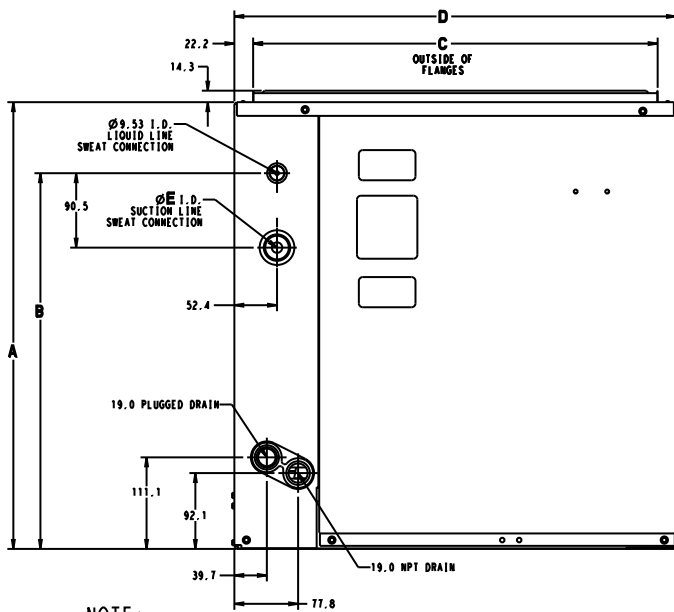
1. SERIES DESIGNATION IS THE 14TH POSITION OF UNIT MODEL NUMBER.
2. IN THE ELEVENTH POSITION (#) THE "C" DESIGNATES NON-COATED HAIRPINS AND "T" DESIGNATES TIN-COATED HAIRPINS.
3. ALL DIMENSIONS ARE IN "INCHES" UNLESS NOTED.

UNIT	SERIES	A	B	C	D	E	SHIPPING WT (lbs) _C_ (NON-COATED HAIRPINS)	SHIPPING WT (lbs) _T_ (TIN-COATED HAIRPINS)
CNPVT3617A#A	C	19 13/16"	16 1/8"	15 3/4"	17 1/2"	3/4"	48.5	51.0
CNPVT4221A#A	C	21 13/16"	17 7/8"	19 1/4"	21"	7/8"	62.0	64.5
CNPVT4821A#A	C	24 7/8"	19 3/4"	19 1/4"	21"	7/8"	71.0	73.5
CNPVT6024A#A	C	29 1/8"	20 3/16"	22 3/4"	24 1/2"	7/8"	78.0	80.5

UNIT	SERIES	A	B	C	D	E	SHIPPING WT (lbs) A - Aluminum Hairpins
CNPVT3617ALA	A	19 13/16"	16 1/8"	15 3/4"	17 1/2"	3/4"	48.5
CNPVT4221ALA	A	21 13/16"	17 7/8"	19 1/4"	21"	7/8"	62.0
CNPVT4821ALA	A	24 7/8"	19 3/4"	19 1/4"	21"	7/8"	71.0
CNPVT6024ALA	A	29 1/8"	20 3/16"	22 3/4"	24 1/2"	7/8"	78.0

A12323

DIMENSIONS (cont.)



NOTE:

1. SERIES DESIGNATION IS THE 14TH POSITION OF UNIT MODEL NUMBER.
2. IN THE ELEVENTH POSITION (#) THE "C" DESIGNATES NON-COATED HAIRPINS AND "T" DESIGNATES TIN-COATED HAIRPINS.
3. ALL DIMENSIONS ARE IN "MM" UNLESS NOTED.

UNIT	SERIES	A	B	C	D	E	SHIPPING WT (Kgs)	
							C (NON-COATED HAIRPINS)	_T_ (TIN-COATED HAIRPINS)
CNPVT3617A#A	C	503.2	409.6	400.0	444.5	19.05	22.0	23.1
CNPVT4221A#A	C	554.0	454.0	489.0	533.4	22.23	28.1	29.3
CNPVT4821A#A	C	631.8	501.6	489.0	533.4	22.23	32.2	33.3
CNPVT6024A#A	C	739.8	512.8	577.8	622.3	22.23	35.4	36.5

UNIT	SERIES	A	B	C	D	E	SHIPPING WT (Kgs)
							A - Aluminum Hairpins
CNPVT3617ALA	A	503.2	409.6	400.0	444.5	19.05	22.0
CNPVT4221ALA	A	554.0	454.0	489.0	533.4	22.23	28.1
CNPVT4821ALA	A	631.8	501.6	489.0	533.4	22.23	32.2
CNPVT6024ALA	A	739.8	512.8	577.8	622.3	22.23	35.4

A12324

PERFORMANCE DATA (cont.)

COOLING CAPACITIES (MBH) - PURON REFRIGERANT

CNPV UNIT SIZE	INDOOR COIL AIR		SATURATED TEMPERATURE LEAVING EVAPORATOR °F (°C)														
			30 (-1)			35 (2)			40 (4)			45 (7)			50 (10)		
	CFM	EWB	TC	SHC	BF	TC	SHC	BF	TC	SHC	BF	TC	SHC	BF	TC	SHC	BF
4217 4221 4224 T4221	1050	72 (22)	74.40	36.30	0.00	68.10	33.10	0.00	61.20	29.70	0.00	53.50	26.20	0.01	45.00	22.60	0.02
		67 (19)	62.30	37.60	0.02	56.00	34.20	0.03	48.90	30.60	0.03	41.20	27.00	0.03	32.80	23.30	0.03
		62 (17)	51.40	38.60	0.03	44.90	35.00	0.03	37.90	31.40	0.03	30.60	27.80	0.04	24.40	24.40	0.08
	1400	72 (22)	90.20	43.80	0.00	82.60	40.10	0.00	74.10	36.20	0.01	64.70	32.00	0.04	54.40	27.60	0.05
		67 (19)	75.80	46.00	0.05	68.00	42.00	0.05	59.40	37.70	0.06	50.00	33.40	0.06	39.60	28.90	0.06
		62 (17)	62.60	47.70	0.06	54.70	43.50	0.06	46.20	39.20	0.06	37.50	35.00	0.07	30.70	30.70	0.13
	1750	72 (22)	103.00	50.00	0.00	94.30	46.00	0.00	84.60	41.50	0.05	73.90	36.80	0.06	62.00	32.00	0.07
		67 (19)	86.70	53.10	0.08	77.80	48.60	0.08	68.00	43.90	0.08	57.10	39.00	0.08	45.20	33.90	0.09
		62 (17)	71.70	55.70	0.09	62.70	50.90	0.09	53.10	46.20	0.09	43.40	41.50	0.10	36.30	36.30	0.18
4324	1050	72 (22)	96.72	47.64	0.00	89.31	43.85	0.00	80.91	39.78	0.00	71.39	35.44	0.00	60.74	30.89	0.01
		67 (19)	80.93	49.26	0.01	73.30	45.20	0.01	64.67	40.88	0.01	54.97	36.34	0.01	43.99	31.53	0.01
		62 (17)	66.64	50.56	0.01	58.77	46.28	0.01	50.10	41.84	0.01	40.70	37.29	0.02	32.63	32.63	0.07
	1400	72 (22)	117.07	57.30	0.00	108.20	53.03	0.00	98.03	48.31	0.01	86.74	43.33	0.02	73.81	37.96	0.02
		67 (19)	98.18	60.23	0.03	89.03	55.55	0.03	78.69	50.55	0.03	66.93	45.19	0.03	53.54	39.46	0.03
		62 (17)	81.03	62.70	0.03	71.60	57.72	0.03	61.25	52.56	0.03	50.15	47.21	0.03	41.46	41.46	0.11
	1750	72 (22)	133.38	65.28	0.00	123.30	60.58	0.02	111.98	55.48	0.03	99.21	50.01	0.04	84.49	44.04	0.04
		67 (19)	112.09	69.50	0.04	101.79	64.41	0.05	90.14	58.95	0.05	76.76	52.99	0.05	61.46	46.55	0.05
		62 (17)	92.72	73.26	0.05	82.16	67.85	0.05	70.58	62.18	0.05	58.38	56.24	0.06	49.33	49.33	0.15
4821 4824 T4821	1200	72 (22)	79.30	38.70	0.00	72.90	35.40	0.00	65.70	31.90	0.00	57.70	28.20	0.00	48.80	24.40	0.01
		67 (19)	66.60	40.20	0.02	60.00	36.60	0.02	52.70	32.90	0.02	44.60	29.10	0.02	35.70	25.10	0.03
		62 (17)	55.00	41.30	0.03	48.30	37.60	0.03	40.90	33.80	0.03	33.10	30.00	0.03	26.30	26.30	0.07
	1600	72 (22)	96.00	46.60	0.00	88.30	42.90	0.00	79.60	38.90	0.00	69.90	34.50	0.03	59.10	30.00	0.04
		67 (19)	80.90	49.20	0.04	72.90	45.00	0.04	64.10	40.70	0.05	54.20	36.10	0.05	43.30	31.40	0.05
		62 (17)	67.00	51.20	0.05	58.80	46.80	0.05	49.90	42.30	0.05	40.70	37.90	0.05	33.30	33.30	0.11
	2000	72 (22)	109.40	53.10	0.00	100.70	49.10	0.00	90.90	44.60	0.03	79.90	39.80	0.05	67.50	34.70	0.06
		67 (19)	92.40	56.70	0.06	83.40	52.20	0.07	73.30	47.40	0.07	62.00	42.20	0.07	49.50	36.90	0.07
		62 (17)	76.70	59.70	0.07	67.50	54.90	0.08	57.40	49.90	0.08	47.20	44.90	0.08	39.50	39.50	0.16
6024 T6024	1600	72 (22)	103.20	50.40	0.00	94.40	45.90	0.00	84.80	41.10	0.00	74.10	36.30	0.00	62.40	31.20	0.02
		67 (19)	86.40	52.10	0.02	77.50	47.20	0.02	67.80	42.30	0.02	57.10	37.20	0.03	45.40	32.10	0.03
		62 (17)	71.20	53.30	0.03	62.20	48.30	0.03	52.40	43.30	0.03	42.30	38.30	0.03	33.50	33.50	0.07
	2000	72 (22)	120.70	58.70	0.00	110.40	53.60	0.00	99.00	48.20	0.00	86.40	42.50	0.02	72.60	36.70	0.03
		67 (19)	101.20	61.30	0.03	90.70	55.70	0.04	79.20	50.00	0.04	66.60	44.10	0.04	52.80	38.10	0.05
		62 (17)	83.40	63.20	0.05	72.80	57.40	0.05	61.40	51.60	0.05	49.70	46.00	0.05	40.30	40.30	0.11
	2400	72 (22)	135.60	65.80	0.00	124.10	60.30	0.00	111.20	54.40	0.01	97.00	48.00	0.04	81.30	41.50	0.05
		67 (19)	113.90	69.30	0.05	102.10	63.20	0.06	89.10	56.90	0.06	74.80	50.30	0.06	59.20	43.60	0.06
		62 (17)	94.10	72.10	0.06	82.10	65.70	0.06	69.30	59.30	0.06	56.40	53.00	0.07	46.50	46.50	0.14
6124 T6124	1600	72 (22)	146.13	71.69	0.00	134.50	65.77	0.00	121.56	59.54	0.00	106.83	52.86	0.00	90.32	45.83	0.01
		67 (19)	122.06	74.12	0.02	110.18	67.82	0.02	96.85	61.17	0.02	81.83	54.15	0.02	64.91	46.78	0.02
		62 (17)	100.28	76.03	0.02	88.07	69.40	0.02	74.72	62.59	0.02	60.46	55.67	0.02	48.56	48.56	0.08
	2000	72 (22)	169.63	82.84	0.00	156.39	76.39	0.00	141.33	69.41	0.01	124.36	61.86	0.02	105.10	53.83	0.02
		67 (19)	142.02	86.75	0.03	128.36	79.72	0.03	112.89	72.20	0.03	95.38	64.18	0.03	75.60	55.70	0.03
		62 (17)	116.90	89.93	0.03	102.76	82.43	0.03	87.41	74.75	0.03	71.17	66.88	0.04	58.57	58.57	0.11
	2400	72 (22)	189.44	92.42	0.00	174.81	85.58	0.00	158.22	77.98	0.02	139.30	69.76	0.03	117.75	60.94	0.04
		67 (19)	158.99	97.85	0.04	143.83	90.25	0.04	126.61	82.05	0.04	107.02	73.24	0.05	84.86	63.87	0.05
		62 (17)	131.10	102.40	0.05	115.46	94.29	0.05	98.49	85.91	0.05	80.79	77.29	0.06	67.60	67.60	0.14

Legend:

CFM – Cubic Ft. per Minute **EWB** – Entering Wet Bulb **LWB** – Leaving Wet Bulb **TC** – Gross Cooling Capacity 1000 Btuh
SHC – Gross Sensible Capacity 1000 Btuh **BF** – Bypass Factor **MBH** – 1000 Btuh
 See notes on following page.

NOTES:

1. Contact manufacturer for cooling capacities at conditions other than shown in table.
2. Formulas:
 Leaving db = entering db - $\frac{\text{sensible heat cap.}}{1.09 \times \text{CFM}}$
 Leaving wb = wb corresponding to enthalpy of air leaving coil (h_{LWB})

$$h_{LWB} = h_{EWB} - \frac{\text{total capacity (Btuh)}}{4.5 \times \text{CFM}}$$
 Where h_{EWB} = enthalpy of air entering coil
3. SHC is based on 80°F (27°C) db temperature of air entering the evaporator coil.
 Below 80°F (27°C) db, subtract (Correction Factor x CFM) from SHC.
 Above 80°F (27°C) db, add (Correction Factor x CFM) to SHC.
4. Direct interpolation is permissible. Do not extrapolate.
5. Fan motor heat has not been deducted.
6. All data points are based on 10°F (-12°C) superheat leaving coil and use of thermostatic expansion valve (TXV) device.
7. All units have sweat suction-tube connection and a liquid-tube connection. For 1-1/8-in. system suction tube, 3/4 x 1-1/8-in. suction tube connection adapter is available as accessory.
8. The CNPVP, CNPVT and CNPVU coils can be used in any properly designed system using Puron refrigerant.
9. The CNRVU coils can be used in any properly designed system using R-22 refrigerant.
10. Before using maximum cfm shown in table, check coil static pressure drop to ensure system blower can provide necessary static pressure needed for coil and duct systems.
11. Bypass Factor = 0 indicates no psychometric solution. Use bypass factor of next lower EWB for approximation.

BYPASS FACTOR	ENTERING AIR DRY BULB TEMPERATURE °F (°C)					
	79 (26)	78 (26)	77 (25)	76 (24)	75 (24)	Under 75 (24)
	81 (27)	82 (28)	83 (28)	84 (29)	84 (29)	Above 85 (29)
Correction Factor						
0.10	0.98	1.96	2.94	3.92	4.91	Use formula shown below
0.20	0.87	1.74	2.62	3.49	4.36	
0.30	0.76	1.53	2.29	3.05	3.82	

Interpolation is permissible.

Correction Factor = 1.09 x (1 - BF) x (db - 80)

PERFORMANCE DATA (cont.)

COIL STATIC PRESSURE DROP (in. w.c.) PURON and R-22 REFRIGERANTS

UNIT SIZE	Standard CFM																			
	400	500	600	700	800	900	1000	1100	1200	1300	1400	1500	1600	1700	1800	1900	2000	2100	2200	
1814	Dry																			
	0.078	0.114	0.156	0.198	0.253															
	Wet																			
1917	0.096	0.138	0.183	0.213	0.277															
	Dry																			
	0.042	0.060	0.080	0.102	0.128															
2414	Wet																			
	0.055	0.076	0.104	0.127	0.158															
	Dry																			
2417	0.070	0.103	0.143	0.182	0.233	0.290	0.354													
	Wet																			
	0.089	0.128	0.171	0.214	0.269	0.336	0.413													
3014	Dry																			
	0.048	0.068	0.090	0.112	0.140	0.170	0.203													
	Wet																			
3017	0.064	0.091	0.122	0.150	0.188	0.224	0.263													
	Dry																			
	0.065	0.097	0.135	0.173	0.223	0.278	0.339	0.405	0.478											
3117	Wet																			
	0.078	0.114	0.160	0.206	0.260	0.321	0.388	0.461	0.540											
	Dry																			
3617 T3617	0.042	0.060	0.080	0.102	0.128	0.157	0.188	0.222	0.259											
	Wet																			
	0.055	0.076	0.104	0.127	0.158	0.190	0.225	0.266	0.309											
3621	Dry																			
	0.031	0.046	0.063	0.083	0.105	0.130	0.156	0.193	0.230											
	Wet																			
3717	0.039	0.056	0.075	0.097	0.121	0.149	0.179	0.212	0.249											
	Dry																			
	0.043	0.061	0.082	0.103	0.128	0.157	0.189	0.221	0.259	0.299	0.341									
4217	Wet																			
	0.056	0.079	0.107	0.133	0.166	0.200	0.236	0.276	0.315	0.361	0.413									
	Dry																			
4221 T4221	0.035	0.048	0.062	0.076	0.093	0.111	0.132	0.153	0.177	0.201	0.228									
	Wet																			
	0.049	0.066	0.085	0.100	0.122	0.144	0.171	0.192	0.217	0.245	0.276									
4324	Dry																			
	0.025	0.038	0.054	0.072	0.093	0.117	0.143	0.171	0.205	0.233	0.273									
	Wet																			
4821 T4821	0.030	0.044	0.061	0.079	0.103	0.125	0.154	0.182	0.216	0.251	0.288									
	Dry																			
			0.072	0.093	0.118	0.145	0.175	0.206	0.243	0.281	0.322	0.366	0.413							
4824	Wet																			
			0.079	0.102	0.130	0.159	0.192	0.228	0.26	0.303	0.348	0.396	0.446							
	Dry																			
6024 T6024	0.030	0.041	0.054	0.066	0.082	0.099	0.118	0.137	0.158	0.180	0.205	0.231	0.259							
	Wet																			
	0.043	0.059	0.078	0.101	0.126	0.153	0.181	0.207	0.234	0.260	0.288	0.319	0.354							
6124 T6124	Dry																			
				0.053	0.062	0.073	0.084	0.097	0.111	0.126	0.138	0.154	0.172	0.190	0.210	0.228	0.251	0.273	0.293	
	Wet																			
6124 T6124				0.067	0.082	0.096	0.112	0.129	0.145	0.163	0.171	0.191	0.212	0.235	0.258	0.283	0.310	0.336	0.366	
	Dry																			
				0.047	0.060	0.075	0.092	0.110	0.130	0.152	0.176	0.204	0.230	0.256	0.284	0.318				
6124 T6124	Wet																			
				0.053	0.067	0.085	0.104	0.125	0.147	0.172	0.200	0.228	0.259	0.292	0.327	0.365				
	Dry																			
6124 T6124				0.015	0.046	0.057	0.069	0.094	0.100	0.119	0.124	0.140	0.158	0.175	0.195	0.214				
	Wet																			
				0.032	0.050	0.066	0.081	0.097	0.114	0.131	0.150	0.169	0.190	0.211	0.233	0.257				
6124 T6124	Dry																			
					0.062	0.073	0.084	0.097	0.111	0.126	0.138	0.154	0.172	0.190	0.210	0.228	0.251	0.273	0.293	
	Wet																			
6124 T6124					0.082	0.096	0.112	0.129	0.145	0.163	0.171	0.191	0.212	0.235	0.258	0.283	0.310	0.336	0.366	
	Dry																			
											0.130	0.140	0.160	0.180	0.200	0.220	0.240	0.270	0.290	
6124 T6124	Wet																			
											0.150	0.170	0.190	0.210	0.230	0.260	0.290	0.310	0.340	

ACCESSORIES

EMPTY COIL CASING ACCESSORY FOR UNCASSED N-COIL

ACCESSORY PART NUMBER	NOMINAL COIL SIZES	DIMENSIONS in (mm)		
		H	W	D
KCAKC2612ECC	CN*VU1814, 2414, 3014,	17 (432)	14-3/16 (361)	21 (533)
KCAKC2712ECC	CN*VU2417, 3017, 3617	17 (432)	17-1/2 (445)	21 (533)
KCAKC2808ECC	CN*VU3621, 4221, 4821	22-1/16 (560)	21 (533)	21 (533)
KCAKC2904ECC	CN*VU4824, 6024	26-5/16 (668)	24-1/2 (622)	21 (533)

COUPLING KIT ACCESSORY FOR UNCASSED VERTICAL N-COIL

ACCESSORY PART NUMBER	NOMINAL COIL SIZES	DESCRIPTION
KCART0101MHA	CN*VU2417	5/8-in. Mechanical Connection Kit
KCART0101MHA	CN*VU3617, 4821	3/4-in. Mechanical Connection Kit