

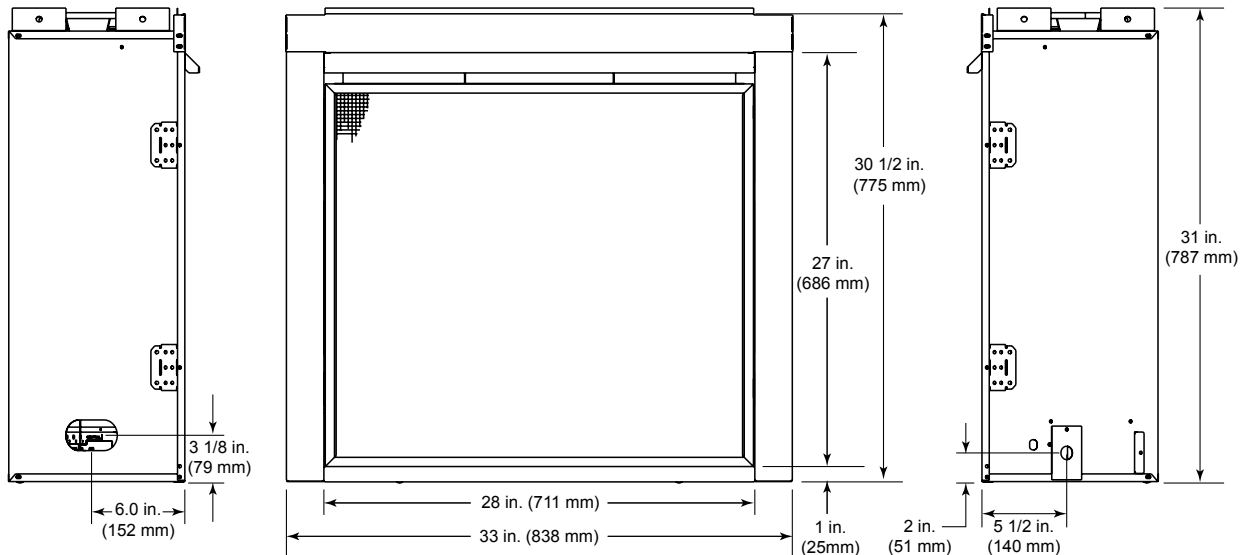
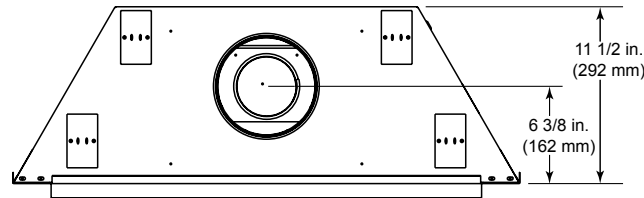


Please consult the manufacturer's installation manual for all details and requirements before making a final design layout decision.

Aveo - ADVT3428I

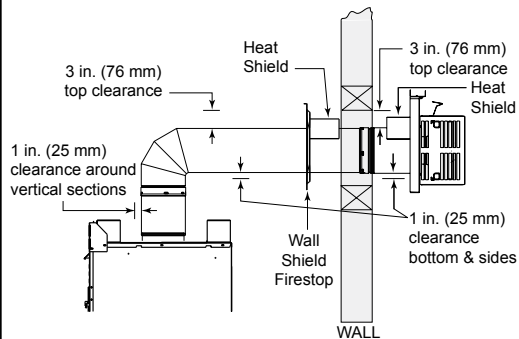
Top Direct Vent Gas Fireplace

MODEL	HEIGHT		FRONT WIDTH		BACK WIDTH		DEPTH		VIEWING AREA
	Actual	Framing	Actual	Framing	Actual	Framing	Actual	Framing	
ADVT3428I	31	31-3/4	33	34	19-3/4	34	11-1/2	12	28w x 27h



GUIDELINES FOR HORIZONTAL VENTING WITH A ONE-ELBOW CONFIGURATION

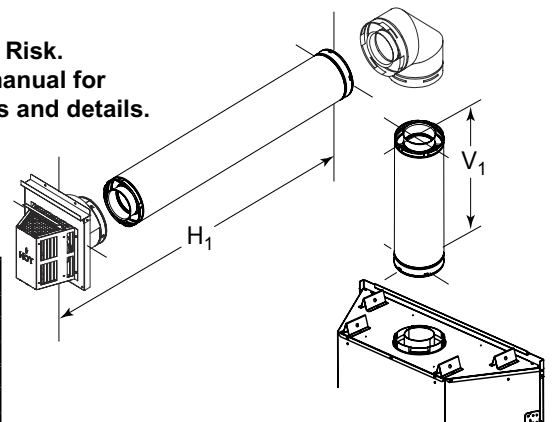
WARNING!! Fire Risk.
Consult installation manual for installation clearances and details.



V ₁ min.	V ₁ max.	H ₁ max.
0"	-	18 in./46 m
6 in./152 mm	-	6 ft/1.83 m
1 ft/.31 m	-	11 ft/3.35 m
1-1/2 ft/.46 m	-	18 ft/5.49 m
2 ft/.61 m	-	25 ft/7.62 m
-	25 ft/7.52 m	25 ft/7.62 m

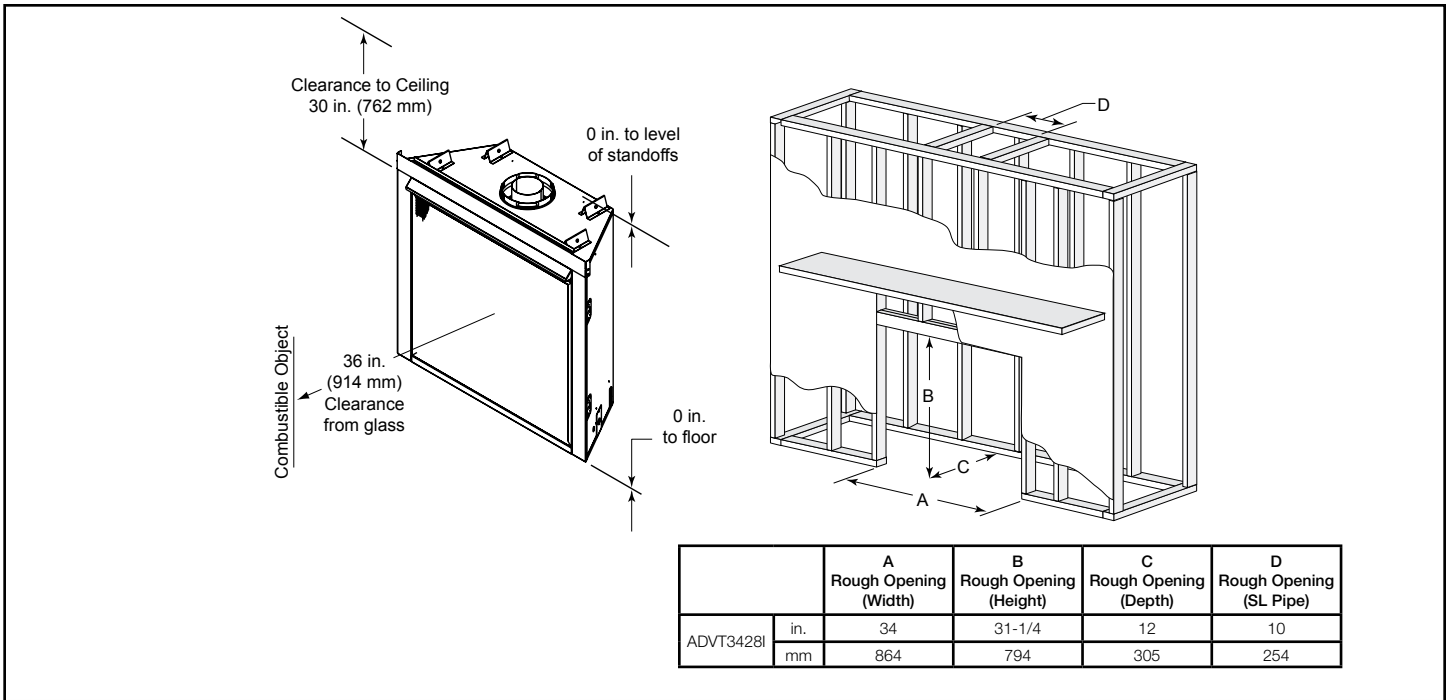
* You may install the elbow directly on top of the appliance

Note: The first elbow used in the system must be a starter elbow (supplied with the appliance)

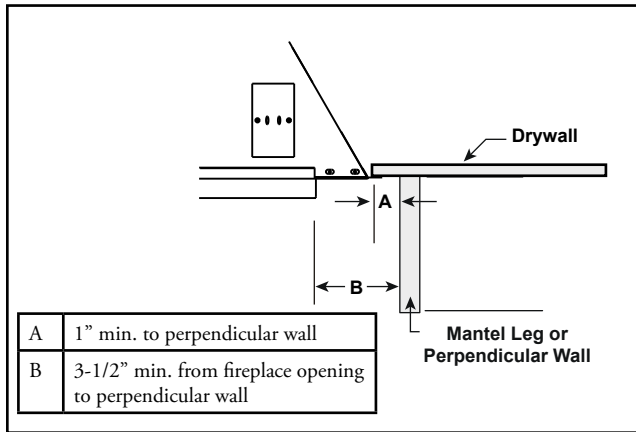


DISCLAIMER: This information is intended for reference only, and is subject to change without notice. Refer to www.fireplaces.com to view the installation manual for detailed information, or work with a fireplace dealer when planning and installing this unit.

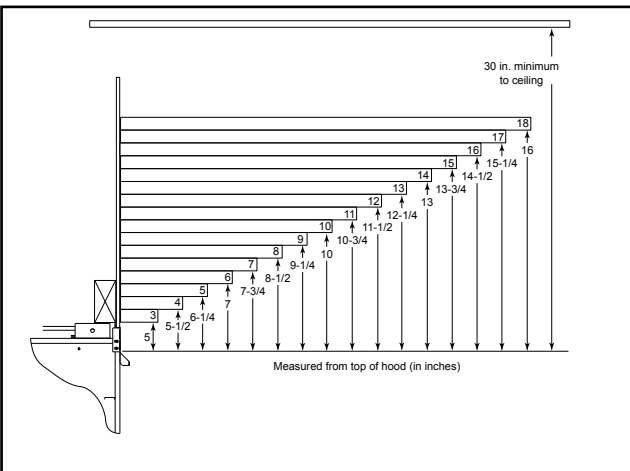
FRAMING AND APPLIANCE CLEARANCES



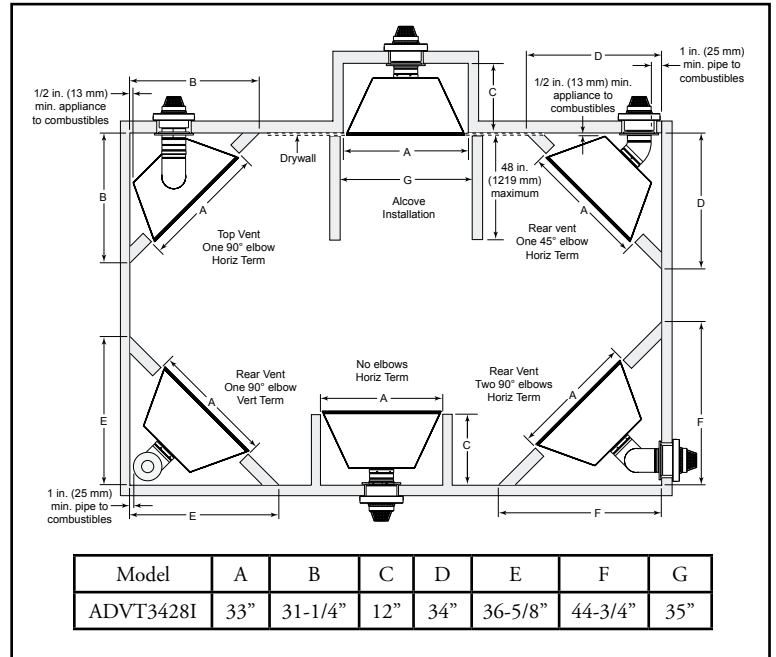
CLEARANCE TO PERPENDICULAR WALLS



MANTEL PROJECTIONS



FIREPLACE LOCATIONS AND DIMENSIONS



PRODUCT LISTING CODES

US	ANSI Z21.88-2005
CAN	CSA 2.33-2005
	UL307B

Product information provided is not complete and is subject to change without notice. Product installation must adhere strictly to instructions accompanying product to avoid risk of fire and potential injury.

Additional information can be found online at www.heatilator.com